



<http://www.moda-ml.org>

IMPLEMENTATION GUIDE

TRANSACTION "YARN PURCHASE ORDER RESPONSE"

Version: 2011-1

Date of release: 18/11/2011

Document code: G031

XML Schema repository:<http://www.moda-ml.org/moda-ml/repository/schema/v2011-1/default.asp>

Guides repository:<http://www.moda-ml.org/moda-ml/repository/guide/v2011-1/default.asp>

Guide filename: G031-MODA-ML-YarnPurchaseOrderResponse.pdf

1. BUSINESS DESCRIPTION

1.1 Scope

The present guide has been issued to assist the companies of the Textile-Clothing sector in the implementation of the standard XML document type "YARN ORDER RESPONSE ", providing all the instruction required for its use in any context of e-commerce between Fabric and Yarn Producers.

All the rules required for the construction and validation of the document are embedded into the specific XML-Schema, which is detailed in section "Implementation guide".

1.2 Generalities

The message is issued by the Yarn Producer in response to a purchase order.

The Producer must, in any case, return an Order Response for any Order received, where, for each item, he notifies the acceptance as it is (C), the variation (V) or the cancellation (A).

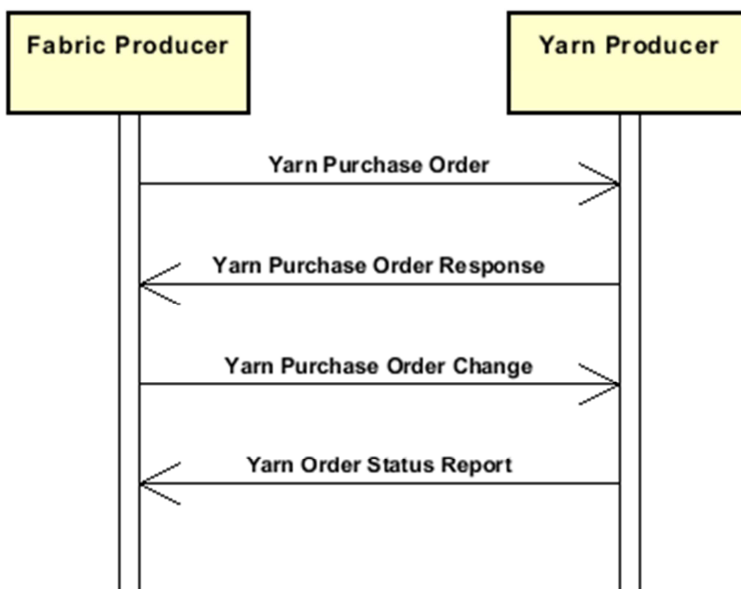
Basic function of the message is to notify acceptance or to request modifications or cancellations concerning:

- 1) suppliable quantities
- 2) dates and places of delivery
- 3) prices

The Order Response can show a number of lines different from the related Purchase Order, when variations/cancellations have occurred so as to create the splitting of an Order Line.

However the sum of the quantities of the lines in the Order Response (accepted + varied + cancelled) must always equal the sum of the quantities in the Order.

1.3. Possible scenario



2. IMPLEMENTATION GUIDE

2.1 General structure of XML document

All the business data that can be exchanged through this class of documents are shown in the following "document structure", that provides a simplified vision of the Schema.

In particular:

- the two numbers following each element define its "cardinality" (minimum and maximum number of occurrences); the minimum equal zero indicates that the element is optional, the minimum greater than zero indicates that is mandatory;
- the bold character denotes the complex elements (aggregates of simple elements) that were built for the sake of functionality and re-usability of some complex informations sets. The child elements in each parent element are easily spotted as "indented";
- the symbol "@" denotes an attribute of the preceding element; here "the usage indicator (optional, required, ...) is shown in square brackets.

Structure

YARNOrdResponse

@msgfunction [Optional] [Default= OR]

YXheader 1-1

msgN 1-1

- choose -

msgID 0-1

- or -

docID 0-1

@numberingOrg [Optional]

- end choose -

msgDate 1-1

@dateForm [Optional]

msgCurrency 0-1

otherCurrency 0-9

@currencyUseQualifier [Required]

refDoc 1-9

@docType [Required]

docID 1-2

@numberingOrg [Optional]

docDate 0-1

@dateForm [Optional]

season 0-1

itemID 0-1

buyer 1-1

@logo [Optional]

@sender [Optional]

id 1-1

@numberingOrg [Optional]

legalName 0-1

dept 0-1

person 0-1

@email [Optional]

@phone [Optional]

@fax [Optional]

street 0-1

city 0-1

subCountry 0-1

country 0-1

postCode 0-1

supplier 1-1

@logo [Optional]

@sender [Optional]
id 1-1
@numberingOrg [Optional]
legalName 0-1
dept 0-1
person 0-1
@email [Optional]
@phone [Optional]
@fax [Optional]
street 0-1
city 0-1
subCountry 0-1
country 0-1
postCode 0-1

thirdParty 0-5

@VAT [Optional]
@role [Required]
@sender [Optional]
id 1-1
@numberingOrg [Optional]
legalName 0-1
dept 0-1
person 0-1
@email [Optional]
@phone [Optional]
@fax [Optional]
street 0-1
city 0-1
subCountry 0-1
country 0-1
postCode 0-1

note 0-5

@numberingOrg [Optional]
@codeList [Optional]
@noteLabel [Optional]

terms 0-1

payment 0-5

@finDiscount [Optional]
@finSurcharge [Optional]
- choose -
payTerm 1-1
- or -
payTermText 1-1
- end choose -
payMode 0-1

insPayment 0-5

@part [Required]
- choose -
payTerm 1-1
- or -
payTermText 1-1
- end choose -
payMode 0-1

trade 0-1

- choose -
incoTermText 1-1
- or -
incoTerm 1-1
- end choose -
location 0-1

@LRI [Optional]
transInfo 0-1
@transReason [Optional]
transMode 1-1
carrier 0-1
deliveryPlace 0-1
grossWeight 0-1
@um [Required]
netWeight 0-1
@um [Required]
transMeans 0-1
transCondition 0-3
transConditionText 0-1

allowanceCharge 0-9
@VAT [Optional]
- choose -
 AC_category 1-1
- or -
 AC_categoryText 1-1
- choose -
 AC_percent 1-1
- or -
 AC_amount 1-1
- end choose -

yarnComInfo 0-1

yarnPay 0-1
@percCond [Optional]
deliveryDate 0-1
@dateForm [Optional]
specDate 0-1
@dateForm [Optional]

yarnPack 0-1

yarnReel 1-1
@reelType [Required]
@reelMat [Required]
yarnReelID 0-1
@um [Required]
yarnReelH 0-1
@um [Required]
yarnConeAngle 0-1
yarnReelQty 0-2
@um [Required]
label 0-1
labelWrit 0-1

yarnInWrap 0-1
yarnReelWrap 1-1
label 0-1
labelWrit 0-1

- choose -
 yarnOutWrapText 0-1
- or -
 yarnOutWrap 0-1
- end choose -

YXbody 1-1

YXitem 1-unbounded
@act [Required]
lineN 1-1
@VAT [Optional]
refDoc 1-9

@docType [Required]
 docID 1-2
@numberingOrg [Optional]
 docDate 0-1
@dateForm [Optional]
 season 0-1
 itemID 0-1
yarnCode 0-2
@numberingOrg [Optional] [Default= CL]
 art 1-1
@numberingOrg [Optional]
@codeList [Optional]
@listName [Optional]
@listVersion [Optional]
 color 0-1
@numberingOrg [Optional]
@codeList [Optional]
@listName [Optional]
@listVersion [Optional]
 added 0-9
@addType [Optional]
 description 0-1
yarnCompos 0-1
 percCompos 1-9
@fibre [Required]
yarnSpecs 0-9
 - choose -
 yarnCharText 1-1
 - or -
 yarnChar 1-1
 - end choose -
 specValue 0-1
@um [Optional]
@method [Optional]
 - choose -
 tolerance 0-2
@um [Required]
 - or -
 pcTolerance 0-2
@um [Optional]
 - end choose -
 lotN 0-2
@numberingOrg [Optional]
 dyeN 0-2
@numberingOrg [Optional]
 qty 0-2
@um [Required]
 price 0-1
@um [Optional]
@priceQualifier [Optional] [Default= NET]
 comDiscount 0-1
thirdParty 0-1
@VAT [Optional]
@role [Required]
@sender [Optional]
 id 1-1
@numberingOrg [Optional]
 legalName 0-1
 dept 0-1
 person 0-1
@email [Optional]

@phone [Optional]

@fax [Optional]

street 0-1

city 0-1

subCountry 0-1

country 0-1

postCode 0-1

yarnComInfo 0-1

yarnPay 0-1

@percCond [Optional]

deliveryDate 0-1

@dateForm [Optional]

specDate 0-1

@dateForm [Optional]

yarnPack 0-1

yarnReel 1-1

@reelType [Required]

@reelMat [Required]

yarnReelD 0-1

@um [Required]

yarnReelH 0-1

@um [Required]

yarnConeAngle 0-1

yarnReelQty 0-2

@um [Required]

label 0-1

labelWrit 0-1

yarnInWrap 0-1

yarnReelWrap 1-1

label 0-1

labelWrit 0-1

- choose -

yarnOutWrapText 0-1

- or -

yarnOutWrap 0-1

- end choose -

note 0-1

@numberingOrg [Optional]

@codeList [Optional]

@noteLabel [Optional]

totals 0-1

totQty 0-1

@um [Required]

goodsAmount 1-1

2.2 Detailed description of document elements

Following tables show all elements (complex and simple) used in this document. Description includes: 1) element's information: xml tag, name, brief description, data type and syntax constraints; 2) information about use of the element in a particular position in the document: xpath and possible associated notes.

2.2.1 Complex elements (Aggregate Business Information Entities)

Complex elements are those elements whose content is composed of other elements (childs). Complex elements are alphabetically ordered.

| | |
|------------------------|--|
| allowanceCharge | Allowances and Charges related to an Order or a contract (XPath: YARNOrdResponse/terms/allowanceCharge) 0-9 |
| buyer | details of the Buyer - base type: , (XPath: YARNOrdResponse/YXheader/buyer) 1-1 |
| insPayment | payment details for payment by installments (XPath: YARNOrdResponse/terms/insPayment) 0-5 - note: <i>this set of data is alternative to payment set and must be iterated for each payment installment</i> |
| payment | payment details for payment all in one (XPath: YARNOrdResponse/terms/payment) 0-5 - note: <i>this set of data can be iterated to specify alternative terms of payment (e.g.: 60 days or 30 days with 3% discount)</i> |
| refDoc | identification of a document and of an item thereof, to which the message makes reference (XPath: YARNOrdResponse/YXheader/refDoc) 1-9 (XPath: YARNOrdResponse/YXbody/YXitem/refDoc) 1-9 |
| supplier | details of the Supplier - base type: , (XPath: YARNOrdResponse/YXheader/supplier) 1-1 |
| terms | details of the commercial obligations for payment and delivery (XPath: YARNOrdResponse/terms) 0-1 |
| thirdParty | details of the Third Party, different from Buyer or Supplier - base type: , (XPath: YARNOrdResponse/YXheader/thirdParty) 0-5 (XPath: YARNOrdResponse/YXbody/YXitem/thirdParty) 0-1 |
| totals | monetary and quantity totals of the Order (XPath: YARNOrdResponse/totals) 0-1 |
| trade | general terms of trade for the specified supply (XPath: YARNOrdResponse/terms/trade) 0-1 |
| transInfo | details of transport: mode, carrier and delivery place (XPath: YARNOrdResponse/terms/transInfo) 0-1 |
| yarnCode | full codification of a yarn product (XPath: YARNOrdResponse/YXbody/YXitem/yarnCode) 0-2 |
| yarnComInfo | miscellaneous trade informations, that can be specified in a yarn Order, referred either to the whole document or to the single item (XPath: YARNOrdResponse/yarnComInfo) 0-1 (XPath: YARNOrdResponse/YXbody/YXitem/yarnComInfo) 0-1 |
| yarnCompos | fibrous composition of a yarn product (XPath: YARNOrdResponse/YXbody/YXitem/yarnCompos) 0-1 |

| | |
|-------------------|---|
| yarnInWrap | details specifying the inner wrapping of a yarn product (XPath: YARNOrdResponse/yarnComInfo/yarnPack/yarnInWrap) 0-1 (XPath: YARNOrdResponse/YXbody/YXitem/yarnComInfo/yarnPack/yarnInWrap) 0-1 |
| yarnPack | details of type of presentation used for the yarn (XPath: YARNOrdResponse/yarnComInfo/yarnPack) 0-1 (XPath: YARNOrdResponse/YXbody/YXitem/yarnComInfo/yarnPack) 0-1 |
| yarnReel | details of the reeling of a yarn product (bobbin & package) (XPath: YARNOrdResponse/YXbody/YXitem/yarnComInfo/yarnPack/yarnReel) 1-1 (XPath: YARNOrdResponse/yarnComInfo/yarnPack/yarnReel) 1-1 |
| yarnSpecs | technical characteristics of a yarn product linked to an operation of the sub-contracted production of yarn or to the purchas of yarn (XPath: YARNOrdResponse/YXbody/YXitem/yarnSpecs) 0-9 |
| YXbody | body of the YARN ORDER RESPONSE and YARN ORDER CHANGE (XPath: YARNOrdResponse/YXbody) 1-1 |
| YXheader | header of the YARN ORDER RESPONSE and YARN ORDER CHANGE (XPath: YARNOrdResponse/YXheader) 1-1 |
| YXitem | line item of the YARN ORDER RESPONSE and YARN ORDER CHANGE (XPath: YARNOrdResponse/YXbody/YXitem) 1-unbounded |

2.2.2 Simple elements (Basic Business Information Entities)

Simple elements are those elements whose content is characterized by a data type plus a domain of possible values. Simple elements are alphabetically ordered.

| | |
|------------------------|--|
| AC_amount | amount of an Allowance or Charge - base type: decimal, fraction digits: 2, (XPath: YARNOrdResponse/terms/allowanceCharge/AC_amount) 1-1 |
| AC_category | coded specification of an Allowance or Charge - base type: string, cod. table: T41, (XPath: YARNOrdResponse/terms/allowanceCharge/AC_category) 1-1 |
| AC_categoryText | free text description of an Allowance or Charge - base type: string, max length: 70, (XPath: YARNOrdResponse/terms/allowanceCharge/AC_categoryText) 1-1 |
| AC_percent | amount of an Allowance or Charge as a percentage - base type: decimal, max inclusive: 100, fraction digits: 2, (XPath: YARNOrdResponse/terms/allowanceCharge/AC_percent) 1-1 |
| @act | action performed by the present line upon the referenced document line - base type: string, cod. table: NT5, (XPath: YARNOrdResponse/YXbody/YXitem/@act) [Required] |
| added | additional code of the product (complementing the formers) - base type: string, max length: 15, (XPath: YARNOrdResponse/YXbody/YXitem/yarnCode/added) 0-9 - note: <i>here an additional codification (see table T44) can be specified</i> |
| @addType | qualifier of the additional coding of a product - base type: string, cod. table: T44, (XPath: YARNOrdResponse/YXbody/YXitem/yarnCode/added/@addType) [Optional] |
| art | article number of the product - base type: string, max length: 25, (XPath: YARNOrdResponse/YXbody/YXitem/yarnCode/art) 1-1 |

| | |
|-----------------------|---|
| carrier | identification of the transport carrier - base type: string, max length: 40, (XPath: YARNOrdResponse/terms/transInfo/carrier) 0-1 |
| city | name of the city (town, village) - base type: string, max length: 40, (XPath: YARNOrdResponse/YXheader/thirdParty/city) 0-1 (XPath: YARNOrdResponse/YXheader/buyer/city) 0-1 (XPath: YARNOrdResponse/YXheader/supplier/city) 0-1 (XPath: YARNOrdResponse/YXbody/YXitem/thirdParty/city) 0-1 |
| @codeList | it specifies the URL where the list of codes used to make an instance of the element can be found - base type: string, max length: 255, (XPath: YARNOrdResponse/YXbody/YXitem/yarnCode/color/@codeList) [Optional] - nota: <i>this attribute should be ALTERNATIVE to the others</i> (XPath: YARNOrdResponse/YXbody/YXitem/note/@codeList) [Optional] - nota: <i>must be used to provide (URL) the list of codes used in "noteLabel"</i> (XPath: YARNOrdResponse/YXheader/note/@codeList) [Optional] - nota: <i>must be used to provide (URL) the list of codes used in "noteLabel"</i> (XPath: YARNOrdResponse/YXbody/YXitem/yarnCode/art/@codeList) [Optional] - nota: <i>this attribute should be ALTERNATIVE to the others</i> |
| color | colour number of the product, when not included in the model or fabric code - base type: string, max length: 15, (XPath: YARNOrdResponse/YXbody/YXitem/yarnCode/color) 0-1 |
| comDiscount | percent discount applied to the related unit price or amount - base type: decimal, min inclusive: 0, max inclusive: 100, fraction digits: 2, (XPath: YARNOrdResponse/YXbody/YXitem/comDiscount) 0-1 |
| country | code of the nation - base type: string, cod. table: T10, (XPath: YARNOrdResponse/YXheader/supplier/country) 0-1 (XPath: YARNOrdResponse/YXheader/thirdParty/country) 0-1 (XPath: YARNOrdResponse/YXheader/buyer/country) 0-1 (XPath: YARNOrdResponse/YXbody/YXitem/thirdParty/country) 0-1 |
| @currencyUseQualifier | qualification of another currency used in the document - base type: string, cod. table: NT19, (XPath: YARNOrdResponse/YXheader/otherCurrency/@currencyUseQualifier) [Required] |
| @dateForm | format used for a date - base type: string, cod. table: NT29, (XPath: YARNOrdResponse/yarnComInfo/specDate/@dateForm) [Optional] (XPath: YARNOrdResponse/YXbody/YXitem/yarnComInfo/deliveryDate/@dateForm) [Optional] (XPath: YARNOrdResponse/yarnComInfo/deliveryDate/@dateForm) [Optional] (XPath: YARNOrdResponse/YXheader/refDoc/docDate/@dateForm) [Optional] (XPath: YARNOrdResponse/YXheader/msgDate/@dateForm) [Optional] (XPath: YARNOrdResponse/YXbody/YXitem/refDoc/docDate/@dateForm) [Optional] (XPath: YARNOrdResponse/YXbody/YXitem/yarnComInfo/specDate/@dateForm) [Optional] |
| deliveryDate | date of delivery of goods, requested or promised in the purchase process, according to one of the patterns YYYY-MM-DD, YYYY-MM-DD:HH-MM or YYYY-WW. - base type: string, (XPath: YARNOrdResponse/yarnComInfo/deliveryDate) 0-1 (XPath: YARNOrdResponse/YXbody/YXitem/yarnComInfo/deliveryDate) 0-1 |
| deliveryPlace | place of delivery of goods, ultimate or related to a given leg - base type: string, max length: 40, (XPath: YARNOrdResponse/terms/transInfo/deliveryPlace) 0-1 |

| | |
|---------------|--|
| dept | name or code of a contact department within a Party - base type: string, max length: 40, (XPath: YARNOrdResponse/YXheader/buyer/dept) 0-1 (XPath: YARNOrdResponse/YXheader/supplier/dept) 0-1 (XPath: YARNOrdResponse/YXbody/YXitem/thirdParty/dept) 0-1 (XPath: YARNOrdResponse/YXheader/thirdParty/dept) 0-1 |
| description | free text description of a product - base type: string, max length: 70, (XPath: YARNOrdResponse/YXbody/YXitem/yarnCode/description) 0-1 |
| docDate | date of issue of the referenced document, according to one of the patterns YYYY-MM-DD, YYYY-MM-DD:HH-MM or YYYY-WW. - base type: string, (XPath: YARNOrdResponse/YXbody/YXitem/refDoc/docDate) 0-1 (XPath: YARNOrdResponse/YXheader/refDoc/docDate) 0-1 |
| docID | identification number of the referenced document SINCE 2008-1 ITS USE IN THE HEADER IS DISCOURAGED (REPLACED BY) - base type: string, max length: 35, (XPath: YARNOrdResponse/YXbody/YXitem/refDoc/docID) 1-2 (XPath: YARNOrdResponse/YXheader/docID) 0-1 (XPath: YARNOrdResponse/YXheader/refDoc/docID) 1-2 |
| @docType | type or class to which the referenced document belongs - base type: string, cod. table: T21, (XPath: YARNOrdResponse/YXheader/refDoc/@docType) [Required] (XPath: YARNOrdResponse/YXbody/YXitem/refDoc/@docType) [Required] |
| dyeN | number of the dying batch of a textile product - base type: string, max length: 15, (XPath: YARNOrdResponse/YXbody/YXitem/dyeN) 0-2 - note: <i>it can be specified by the Buyer in case of stock service</i> |
| @email | electronic mail address of the contact person within a Party - base type: string, max length: 80, (XPath: YARNOrdResponse/YXheader/supplier/person/@email) [Optional] (XPath: YARNOrdResponse/YXheader/buyer/person/@email) [Optional] (XPath: YARNOrdResponse/YXheader/thirdParty/person/@email) [Optional] (XPath: YARNOrdResponse/YXbody/YXitem/thirdParty/person/@email) [Optional] |
| @fax | fax number of the contact person within a Party - base type: string, max length: 35, (XPath: YARNOrdResponse/YXheader/thirdParty/person/@fax) [Optional] (XPath: YARNOrdResponse/YXbody/YXitem/thirdParty/person/@fax) [Optional] (XPath: YARNOrdResponse/YXheader/buyer/person/@fax) [Optional] (XPath: YARNOrdResponse/YXheader/supplier/person/@fax) [Optional] |
| @fibre | type of fibre used in a textile product - base type: string, cod. table: T19, (XPath: YARNOrdResponse/YXbody/YXitem/yarnCompos/ percCompos/@fibre) [Required] |
| @finDiscount | financial discount applied for payment by the date specified - base type: decimal, min inclusive: 0, max inclusive: 100, fraction digits: 2, (XPath: YARNOrdResponse/terms/payment/@finDiscount) [Optional] |
| @finSurcharge | financial surcharge applied for payment after the date specified - base type: decimal, min inclusive: 0, max inclusive: 100, fraction digits: 2, (XPath: YARNOrdResponse/terms/payment/@finSurcharge) [Optional] |
| goodsAmount | total monetary value of the goods and services considered in the message - base type: decimal, min inclusive: 0, fraction digits: 2, (XPath: YARNOrdResponse/totals/goodsAmount) 1-1 |
| grossWeight | the gross weight of the overall goods supply, declared for transport or customs purpose |

| | |
|--------------|---|
| | - base type: decimal, min inclusive: 0, fraction digits: 2, (XPath: YARNOrdResponse/terms/transInfo/grossWeight) 0-1 |
| id | primary identification code of a Party; it is recommended the format: nation code (ISO 3166) + VAT identification number (11 crt), with the qualifier "numberingOrg"= MF - base type: string, max length: 15, (XPath: YARNOrdResponse/YXbody/YXitem/thirdParty/id) 1-1 (XPath: YARNOrdResponse/YXheader/thirdParty/id) 1-1 (XPath: YARNOrdResponse/YXheader/buyer/id) 1-1 (XPath: YARNOrdResponse/YXheader/supplier/id) 1-1 |
| incoTerm | specification of the terms of trade (INCOTERMS) - base type: string, cod. table: T3, (XPath: YARNOrdResponse/terms/trade/incoTerm) 1-1 |
| incoTermText | free text specifying the terms of trade (incoterm, location) - base type: string, max length: 70, (XPath: YARNOrdResponse/terms/trade/incoTermText) 1-1 |
| itemID | number of the line/item of the referenced document - base type: string, max length: 6, (XPath: YARNOrdResponse/YXheader/refDoc/itemID) 0-1 (XPath: YARNOrdResponse/YXbody/YXitem/refDoc/itemID) 0-1 |
| label | indicates if the physical object specified has to be labelled - base type: boolean, (XPath: YARNOrdResponse/YXbody/YXitem/yarnComInfo/yarnPack/yarnInWrap/label) 0-1 (XPath: YARNOrdResponse/YXbody/YXitem/yarnComInfo/yarnPack/yarnReel/label) 0-1 (XPath: YARNOrdResponse/yarnComInfo/yarnPack/yarnInWrap/label) 0-1 (XPath: YARNOrdResponse/yarnComInfo/yarnPack/yarnReel/label) 0-1 |
| labelWrit | text that must be written on the lable of a specified physical object when its customization is required - base type: string, max length: 350, (XPath: YARNOrdResponse/yarnComInfo/yarnPack/yarnReel/labelWrit) 0-1 (XPath: YARNOrdResponse/YXbody/YXitem/yarnComInfo/yarnPack/yarnInWrap/labelWrit) 0-1 (XPath: YARNOrdResponse/YXbody/YXitem/yarnComInfo/yarnPack/yarnReel/labelWrit) 0-1 (XPath: YARNOrdResponse/yarnComInfo/yarnPack/yarnInWrap/labelWrit) 0-1 |
| legalName | legal name of a Party - base type: string, max length: 80, (XPath: YARNOrdResponse/YXheader/buyer/legalName) 0-1 (XPath: YARNOrdResponse/YXheader/thirdParty/legalName) 0-1 (XPath: YARNOrdResponse/YXheader/supplier/legalName) 0-1 (XPath: YARNOrdResponse/YXbody/YXitem/thirdParty/legalName) 0-1 |
| lineN | number of the line item of the present message (xml document) - base type: positiveInteger, min inclusive: 1, max inclusive: 9999, (XPath: YARNOrdResponse/YXbody/YXitem/lineN) 1-1 |
| @listName | it specifies the name of the list of codes used to make an instance of the element - base type: string, max length: 40, (XPath: YARNOrdResponse/YXbody/YXitem/yarnCode/art/@listName) [Optional] - nota: <i>this attribute should always be used coupled with "numberingOrg"</i> (XPath: YARNOrdResponse/YXbody/YXitem/yarnCode/color/@listName) [Optional] - nota: <i>this attribute should always be used coupled with "numberingOrg"</i> |
| @listVersion | it specifie the version of the list of codes used to make an instance of the element - base type: string, max length: 6, |

| | |
|--------------|---|
| | <p>(XPath: YARNOrdResponse/YXbody/YXitem/yarnCode/color/@listVersion) [Optional]</p> <p>- nota: <i>this attribute should always be used coupled with "numberingOrg" and "listName"</i></p> <p>(XPath: YARNOrdResponse/YXbody/YXitem/yarnCode/art/@listVersion) [Optional]</p> <p>- nota: <i>this attribute should always be used coupled with "numberingOrg" and "listName"</i></p> |
| location | <p>specification of a location</p> <p>- base type: string, max length: 40,</p> <p>(XPath: YARNOrdResponse/terms/trade/location) 0-1</p> <p>- note: <i>place to which the INCOTERM applies</i></p> |
| @logo | <p>company logo (URL of the image jpeg or gif). It is recommended that the width of the image does not exceed 640 pixel.</p> <p>- base type: string, max length: 255,</p> <p>(XPath: YARNOrdResponse/YXheader/supplier/@logo) [Optional]</p> <p>(XPath: YARNOrdResponse/YXheader/buyer/@logo) [Optional]</p> |
| lotN | <p>lot number of a product or batch number of the raw material</p> <p>- base type: string, max length: 15,</p> <p>(XPath: YARNOrdResponse/YXbody/YXitem/lotN) 0-2</p> <p>- note: <i>it can be specified by the Buyer in case of stock service it can be specified by the Buyer in case of stock service</i></p> |
| @LRI | <p>attribute usable to format a string according to a customized User rule (local rule)</p> <p>- base type: string, cod. table: NT3,</p> <p>(XPath: YARNOrdResponse/terms/trade/location/@LRI) [Optional]</p> |
| @method | <p>standard protocol or method employed in a test to evaluate a characteristic or a parameter</p> <p>- base type: string, max length: 25,</p> <p>(XPath: YARNOrdResponse/YXbody/YXitem/yarnSpecs/specValue/@method) [Optional]</p> |
| msgCurrency | <p>currency used to express the monetary amounts of the message</p> <p>- base type: string, cod. table: T9,</p> <p>(XPath: YARNOrdResponse/YXheader/msgCurrency) 0-1</p> |
| msgDate | <p>date of issue of the present message (xml document), according to one of the patterns YYYY-MM-DD, YYYY-MM-DD:HH-MM or YYYY-WW.</p> <p>- base type: string,</p> <p>(XPath: YARNOrdResponse/YXheader/msgDate) 1-1</p> |
| @msgfunction | <p>function performed by the present message with regards to the transmission</p> <p>- base type: string, cod. table: NT18,</p> <p>(XPath: YARNOrdResponse/@msgfunction) [Optional] [Default= OR]</p> |
| msgID | <p>key identifier of the document in the information system of the issuing Party</p> <p>- base type: string, max length: 35,</p> <p>(XPath: YARNOrdResponse/YXheader/msgID) 0-1</p> |
| msgN | <p>identification number given to the message (xml document) by its issuer</p> <p>- base type: string, max length: 35,</p> <p>(XPath: YARNOrdResponse/YXheader/msgN) 1-1</p> |
| netWeight | <p>the net weight of the overall goods supply, declared for transport or customs purpose</p> <p>- base type: decimal, min inclusive: 0, fraction digits: 2,</p> <p>(XPath: YARNOrdResponse/terms/transInfo/netWeight) 0-1</p> |
| note | <p>free text or structured (computer processing) note. For note structuring use the attributes "noteLabel" and "codelist"</p> <p>- base type: string, max length: 350,</p> <p>(XPath: YARNOrdResponse/YXheader/note) 0-5</p> |

| | |
|---------------|---|
| | (XPath: YARNOrdResponse/YXbody/YXitem/note) 0-1 |
| @noteLabel | <p>subject qualifier of a note</p> <ul style="list-style-type: none"> - base type: string, max length: 35, (XPath: YARNOrdResponse/YXheader/note/@noteLabel) [Optional] - nota: <i>must be used to qualify the subject of the note</i> (XPath: YARNOrdResponse/YXbody/YXitem/note/@noteLabel) [Optional] - nota: <i>must be used to qualify the subject of the note</i> |
| @numberingOrg | <p>code specifying the organisation who has created or owns the coding or numbering system</p> <ul style="list-style-type: none"> - base type: string, cod. table: NT6, (XPath: YARNOrdResponse/YXheader/buyer/id/@numberingOrg) [Optional] (XPath: YARNOrdResponse/YXbody/YXitem/yarnCode/@numberingOrg) [Optional] [Default= CL] (XPath: YARNOrdResponse/YXbody/YXitem/refDoc/docID/@numberingOrg) [Optional] - nota: <i>here can be specified whose document numbering is used (e.g.: Client, Supplier, ..)</i> (XPath: YARNOrdResponse/YXbody/YXitem/dyeN/@numberingOrg) [Optional] (XPath: YARNOrdResponse/YXheader/refDoc/docID/@numberingOrg) [Optional] - nota: <i>here can be specified whose document numbering is used (e.g.: Client, Supplier, ..)</i> (XPath: YARNOrdResponse/YXheader/docID/@numberingOrg) [Optional] - nota: <i>here can be specified whose document numbering is used (e.g.: Client, Supplier, ..)</i> (XPath: YARNOrdResponse/YXbody/YXitem/yarnCode/color/@numberingOrg) [Optional] - nota: <i>this attribute should be used either single or coupled with "listName" and "listVersion"</i> (XPath: YARNOrdResponse/YXbody/YXitem/yarnCode/art/@numberingOrg) [Optional] - nota: <i>this attribute should be used either single or coupled with "listName" and "listVersion"</i> (XPath: YARNOrdResponse/YXbody/YXitem/lotN/@numberingOrg) [Optional] (XPath: YARNOrdResponse/YXheader/note/@numberingOrg) [Optional] (XPath: YARNOrdResponse/YXbody/YXitem/note/@numberingOrg) [Optional] (XPath: YARNOrdResponse/YXbody/YXitem/thirdParty/id/@numberingOrg) [Optional] (XPath: YARNOrdResponse/YXheader/supplier/id/@numberingOrg) [Optional] (XPath: YARNOrdResponse/YXheader/thirdParty/id/@numberingOrg) [Optional] |
| otherCurrency | <p>other currency used in the document</p> <ul style="list-style-type: none"> - base type: string, cod. table: T9, (XPath: YARNOrdResponse/YXheader/otherCurrency) 0-9 |
| @part | <p>percent fraction of a total payment</p> <ul style="list-style-type: none"> - base type: decimal, min inclusive: 1, max inclusive: 99, fraction digits: 2, (XPath: YARNOrdResponse/terms/insPayment/@part) [Required] - nota: <i>here the % value of each installment must be indicated</i> |
| payMode | <p>way or means of payment</p> <ul style="list-style-type: none"> - base type: string, cod. table: T2, (XPath: YARNOrdResponse/terms/insPayment/payMode) 0-1 (XPath: YARNOrdResponse/terms/payment/payMode) 0-1 |
| payTerm | <p>code specifying the terms or time by which the payment must be done</p> <ul style="list-style-type: none"> - base type: string, cod. table: T1, (XPath: YARNOrdResponse/terms/payment/payTerm) 1-1 (XPath: YARNOrdResponse/terms/insPayment/payTerm) 1-1 |
| payTermText | <p>free text specifying the terms by which the payment must be done (time/mode or means)</p> <ul style="list-style-type: none"> - base type: string, max length: 40, (XPath: YARNOrdResponse/terms/insPayment/payTermText) 1-1 (XPath: YARNOrdResponse/terms/payment/payTermText) 1-1 |

| | |
|-----------------|---|
| pcTolerance | percent deviation tolerated on the value of a measurement (it must have a plus or minus sign) - base type: decimal, min inclusive: 0, max inclusive: 100, total digits: 2, (XPath: YARNOrdResponse/YXbody/YXitem/yarnSpecs/pcTolerance) 0-2 |
| percCompos | fiber rate in the product composition - base type: decimal, min inclusive: 0, max inclusive: 100, fraction digits: 2, (XPath: YARNOrdResponse/YXbody/YXitem/yarnCompos/percCompos) 1-9 |
| @percCond | percentage of conditioning to be applied to the payment of a yarn supply - base type: decimal, min inclusive: 0, max inclusive: 100, fraction digits: 2, (XPath: YARNOrdResponse/yarnComInfo/yarnPay/@percCond) [Optional] - nota: <i>element to be used only when conditioned payments occur</i> (XPath: YARNOrdResponse/YXbody/YXitem/yarnComInfo/yarnPay/@percCond) [Optional] - nota: <i>element to be used only when conditioned payments occur</i> |
| person | name of the contact person within a Party - base type: string, max length: 40, (XPath: YARNOrdResponse/YXbody/YXitem/thirdParty/person) 0-1 (XPath: YARNOrdResponse/YXheader/buyer/person) 0-1 (XPath: YARNOrdResponse/YXheader/supplier/person) 0-1 (XPath: YARNOrdResponse/YXheader/thirdParty/person) 0-1 |
| @phone | phone number of the contact person within a Party - base type: string, max length: 35, (XPath: YARNOrdResponse/YXbody/YXitem/thirdParty/person/@phone) [Optional] (XPath: YARNOrdResponse/YXheader/buyer/person/@phone) [Optional] (XPath: YARNOrdResponse/YXheader/supplier/person/@phone) [Optional] (XPath: YARNOrdResponse/YXheader/thirdParty/person/@phone) [Optional] |
| postCode | code defining the postal zone - base type: string, max length: 10, (XPath: YARNOrdResponse/YXheader/thirdParty/postCode) 0-1 (XPath: YARNOrdResponse/YXheader/supplier/postCode) 0-1 (XPath: YARNOrdResponse/YXbody/YXitem/thirdParty/postCode) 0-1 (XPath: YARNOrdResponse/YXheader/buyer/postCode) 0-1 |
| price | unit price of the article, object or service specified - base type: decimal, min inclusive: 0, fraction digits: 2, (XPath: YARNOrdResponse/YXbody/YXitem/price) 0-1 |
| @priceQualifier | type of price with reference to discount and taxes - base type: string, cod. table: NT20, (XPath: YARNOrdResponse/YXbody/YXitem/price/@priceQualifier) [Optional] [Default= NET] |
| qty | net quantity of the article or object correlated, qualified by the function of the document (ordering, delivering, ..) and by the context - base type: decimal, min inclusive: 0, fraction digits: 2, (XPath: YARNOrdResponse/YXbody/YXitem/qty) 0-2 |
| @reelMat | type of material of which a bobbin for yarn is made - base type: string, cod. table: T30, (XPath: YARNOrdResponse/YXbody/YXitem/yarnComInfo/yarnPack/yarnReel/@reelMat) [Required] (XPath: YARNOrdResponse/yarnComInfo/yarnPack/yarnReel/@reelMat) [Required] |
| @reelType | type of bobbin used for a yarn product - base type: string, cod. table: T29, (XPath: YARNOrdResponse/YXbody/YXitem/yarnComInfo/yarnPack/yarnReel/@reelType) [Required] (XPath: YARNOrdResponse/yarnComInfo/yarnPack/yarnReel/@reelType) [Required] |
| @role | Third Party role qualifier - base type: string, cod. table: NT2, |

| | |
|--------------------|---|
| | (XPath: YARNOrdResponse/YXheader/thirdParty/@role) [Required] (XPath: YARNOrdResponse/YXbody/YXitem/thirdParty/@role) [Required] |
| season | sale season; defined as: season (1 crt) + year (4 crt) - season: S/S=1 A/W=2 Spring=3 Summer=4 Autumn=5 Winter=6: for more than four seasons use alphabetic sequence: 1st season=A 2nd season=B etc.etc. - base type: string, max length: 15, (XPath: YARNOrdResponse/YXbody/YXitem/refDoc/season) 0-1 - note: here indicates the season to which the referenced document belongs (XPath: YARNOrdResponse/YXheader/refDoc/season) 0-1 - note: here indicates the season to which the referenced document belongs |
| @sender | qualifier that specifies the Party issuing of the document - base type: boolean, (XPath: YARNOrdResponse/YXbody/YXitem/thirdParty/@sender) [Optional] - nota: This attribute is mandatory when the STYLESHEET must be produced (XPath: YARNOrdResponse/YXheader/supplier/@sender) [Optional] - nota: This attribute is mandatory when the STYLESHEET must be produced (XPath: YARNOrdResponse/YXheader/buyer/@sender) [Optional] - nota: This attribute is mandatory when the STYLESHEET must be produced (XPath: YARNOrdResponse/YXheader/thirdParty/@sender) [Optional] - nota: This attribute is mandatory when the STYLESHEET must be produced |
| specDate | date by which the referenced blanket order must receive full product specifications (e.g.: colour), according to one of the patterns YYYY-MM-DD, YYYY-MM-DD:HH-MM or YYYY-WW. - base type: string, (XPath: YARNOrdResponse/YXbody/YXitem/yarnComInfo/specDate) 0-1 (XPath: YARNOrdResponse/yarnComInfo/specDate) 0-1 |
| specValue | value requested for a characteristics or a parameter that can be measured - base type: decimal, (XPath: YARNOrdResponse/YXbody/YXitem/yarnSpecs/specValue) 0-1 |
| street | street and building number identifying a location - base type: string, max length: 80, (XPath: YARNOrdResponse/YXbody/YXitem/thirdParty/street) 0-1 (XPath: YARNOrdResponse/YXheader/buyer/street) 0-1 (XPath: YARNOrdResponse/YXheader/supplier/street) 0-1 (XPath: YARNOrdResponse/YXheader/thirdParty/street) 0-1 |
| subCountry | short name or code of the sub-country entity - base type: string, max length: 9, (XPath: YARNOrdResponse/YXheader/buyer/subCountry) 0-1 (XPath: YARNOrdResponse/YXbody/YXitem/thirdParty/subCountry) 0-1 (XPath: YARNOrdResponse/YXheader/thirdParty/subCountry) 0-1 (XPath: YARNOrdResponse/YXheader/supplier/subCountry) 0-1 |
| tolerance | deviation tolerated on the value of a measurement (it must have a plus or minus sign) - base type: decimal, (XPath: YARNOrdResponse/YXbody/YXitem/yarnSpecs/tolerance) 0-2 |
| totQty | total quantity of the articles related to the whole document - base type: decimal, min inclusive: 0, fraction digits: 2, (XPath: YARNOrdResponse/totals/totQty) 0-1 |
| transCondition | special condition of transport or special service requested to the Forwarder - base type: string, cod. table: T38, (XPath: YARNOrdResponse/terms/transInfo/transCondition) 0-3 |
| transConditionText | free text description of the special condition of transport or special service |

| | |
|---------------|--|
| | <p>requested to the Forwarder</p> <p>- base type: string, max length: 100, (XPath: YARNOrdResponse/terms/transInfo/transConditionText) 0-1</p> |
| transMeans | <p>means of transport, in general or referred to a specific leg</p> <p>- base type: string, cod. table: T40, (XPath: YARNOrdResponse/terms/transInfo/transMeans) 0-1</p> |
| transMode | <p>way of transport, in general or referred to the specified leg</p> <p>- base type: string, cod. table: T8, (XPath: YARNOrdResponse/terms/transInfo/transMode) 1-1</p> |
| @transReason | <p>reason for the transport</p> <p>- base type: string, cod. table: NT11, (XPath: YARNOrdResponse/terms/transInfo/@transReason) [Optional]</p> |
| @um | <p>specification of the unit of measure</p> <p>- base type: string, cod. table: NT7, (XPath: YARNOrdResponse/YXbody/YXitem/yarnComInfo/yarnPack/yarnReel/yarnReelH/@um) [Required] (XPath: YARNOrdResponse/terms/transInfo/grossWeight/@um) [Required] (XPath: YARNOrdResponse/totals/totQty/@um) [Required] (XPath: YARNOrdResponse/YXbody/YXitem/price/@um) [Optional] (XPath: YARNOrdResponse/YXbody/YXitem/yarnSpecs/specValue/@um) [Optional] (XPath: YARNOrdResponse/YXbody/YXitem/yarnComInfo/yarnPack/yarnReel/yarnReelD/@um) [Required] (XPath: YARNOrdResponse/YXbody/YXitem/yarnSpecs/pcTolerance/@um) [Optional]</p> <p>- nota: <i>to be used when it has to be soecified if the declared percentage is by weight, volume, etc...</i></p> <p>(XPath: YARNOrdResponse/YXbody/YXitem/qty/@um) [Required] (XPath: YARNOrdResponse/yarnComInfo/yarnPack/yarnReel/yarnReelQty/@um) [Required] (XPath: YARNOrdResponse/yarnComInfo/yarnPack/yarnReel/yarnReelD/@um) [Required] (XPath: YARNOrdResponse/yarnComInfo/yarnPack/yarnReel/yarnReelH/@um) [Required] (XPath: YARNOrdResponse/terms/transInfo/netWeight/@um) [Required] (XPath: YARNOrdResponse/YXbody/YXitem/yarnComInfo/yarnPack/yarnReel/yarnReelQty/@um) [Required] (XPath: YARNOrdResponse/YXbody/YXitem/yarnSpecs/tolerance/@um) [Required]</p> |
| @VAT | <p>VAT rate or code</p> <p>- base type: string, cod. table: NT16, (XPath: YARNOrdResponse/YXbody/YXitem/lineN/@VAT) [Optional] (XPath: YARNOrdResponse/terms/allowanceCharge/@VAT) [Optional] (XPath: YARNOrdResponse/YXheader/thirdParty/@VAT) [Optional] (XPath: YARNOrdResponse/YXbody/YXitem/thirdParty/@VAT) [Optional]</p> |
| yarnChar | <p>physical or mechanical parameter used to define a characteristics of a yarn</p> <p>- base type: string, cod. table: T24, (XPath: YARNOrdResponse/YXbody/YXitem/yarnSpecs/yarnChar) 1-1</p> |
| yarnCharText | <p>free text describing the physical or mechanical parameter used to define a characteristics of a yarn</p> <p>- base type: string, max length: 40, (XPath: YARNOrdResponse/YXbody/YXitem/yarnSpecs/yarnCharText) 1-1</p> |
| yarnConeAngle | <p>tapering angle of the cone on which a yarn is reeled</p> <p>- base type: positiveInteger, (XPath: YARNOrdResponse/yarnComInfo/yarnPack/yarnReel/yarnConeAngle) 0-1 (XPath: YARNOrdResponse/YXbody/YXitem/yarnComInfo/yarnPack/yarnReel/yarnConeAngle) 0-1</p> |
| yarnOutWrap | <p>code specifying the type of outer wrapping or packing of a yarn</p> <p>- base type: string, cod. table: T33,</p> |

| | |
|-----------------|---|
| | (XPath: YARNOrdResponse/yarnComInfo/yarnPack/yarnOutWrap) 0-1 (XPath: YARNOrdResponse/YXbody/YXitem/yarnComInfo/yarnPack/yarnOutWrap) 0-1 |
| yarnOutWrapText | free text specifying the type of outer wrapping or packing of a yarn - base type: string, max length: 40, (XPath: YARNOrdResponse/yarnComInfo/yarnPack/yarnOutWrapText) 0-1 (XPath: YARNOrdResponse/YXbody/YXitem/yarnComInfo/yarnPack/yarnOutWrapText) 0-1 |
| yarnPay | type of payment to be applied to a yarn supply - base type: string, cod. table: T34, (XPath: YARNOrdResponse/YXbody/YXitem/yarnComInfo/yarnPay) 0-1 (XPath: YARNOrdResponse/yarnComInfo/yarnPay) 0-1 |
| yarnReelD | diameter of the bobbin used for a yarn product - base type: decimal, min inclusive: 0, fraction digits: 2, (XPath: YARNOrdResponse/yarnComInfo/yarnPack/yarnReel/yarnReelD) 0-1 (XPath: YARNOrdResponse/YXbody/YXitem/yarnComInfo/yarnPack/yarnReel/yarnReelD) 0-1 |
| yarnReelH | height of the bobbin used a yarn product - base type: decimal, min inclusive: 0, fraction digits: 2, (XPath: YARNOrdResponse/YXbody/YXitem/yarnComInfo/yarnPack/yarnReel/yarnReelH) 0-1 (XPath: YARNOrdResponse/yarnComInfo/yarnPack/yarnReel/yarnReelH) 0-1 |
| yarnReelQty | quantity of yarn (by weight or length) wound upon a bobbin - base type: decimal, min inclusive: 0, fraction digits: 2, (XPath: YARNOrdResponse/yarnComInfo/yarnPack/yarnReel/yarnReelQty) 0-2 (XPath: YARNOrdResponse/YXbody/YXitem/yarnComInfo/yarnPack/yarnReel/yarnReelQty) 0-2 |
| yarnReelWrap | type of wrapping in which a reel of yarn is wrapped - base type: string, cod. table: T32, (XPath: YARNOrdResponse/yarnComInfo/yarnPack/yarnInWrap/yarnReelWrap) 1-1 (XPath: YARNOrdResponse/YXbody/YXitem/yarnComInfo/yarnPack/yarnInWrap/yarnReelWrap) 1-1 |

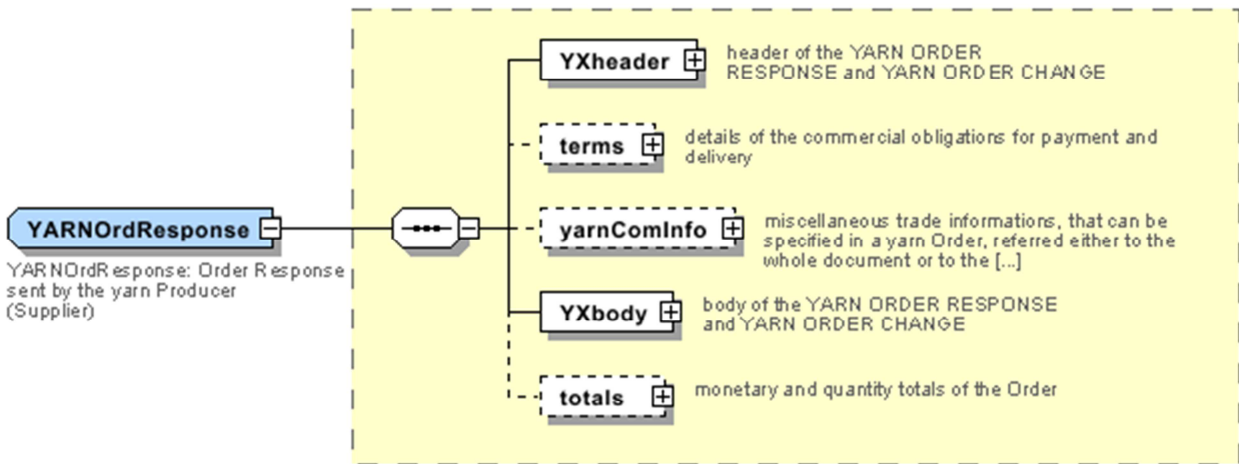
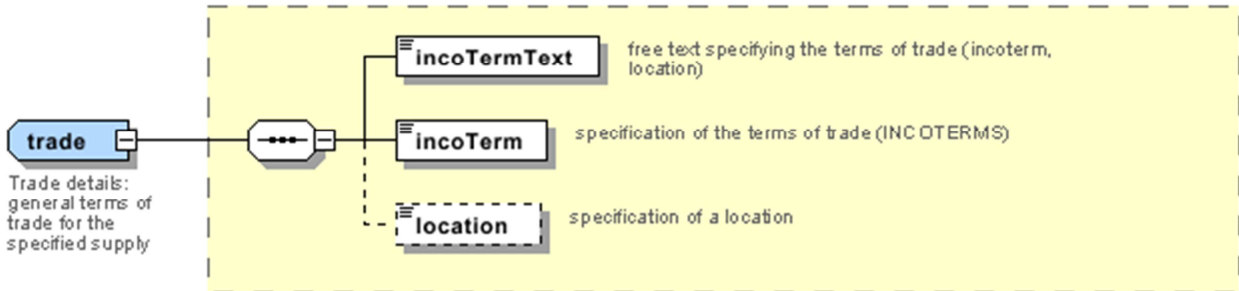
2.3 Enumeration tables

List of enumeration tables used in the XML document. You can find the corresponding codes (only for tables with less than 100 values) in the document `Decoding_Values.pdf`, available at: <http://www.moda-ml.org/moda-ml/repository/guide/v2011-1/>; moreover, all the enumeration tables are available at: <http://www.moda-ml.org/imple/show-codes.asp>.

NT11 - Transport causal
NT16 - VAT rate or code
NT18 - message function
NT19 - currency use qualifier
NT2 - Third party qualifier
NT20 - price qualifier
NT29 - format of a date
NT3 - Data format
NT5 - Action code
NT6 - Coding system owner/issuer
NT7 - Unity of measure
T1 - Terms of payment
T10 - ISO3166 - Country
T19 - fibre type
T2 - Modes of payment
T21 - type of document
T24 - yarn characteristics type
T29 - type of bobbin
T3 - Terms of delivery
T30 - type of bobbin material
T32 - yarn reel wrapping type
T33 - Yarn outer packing
T34 - yarn payment type
T38 - transport conditions
T40 - type of transport means
T41 - type of Allowance or Charge
T44 - additional code type
T8 - Modes of Transport
T9 - ISO4217 - Currency

Annex A

Representative images of the principal complex elements' structure.



YXheader

YXheader:
header of
the YARN
ORDER
RESPONSE
and YARN
ORDER
CHANGE

