



<http://www.moda-ml.org>

IMPLEMENTATION GUIDE
TRANSACTION "GARMENT ACCESSORY DESPATCH
REQUEST"

Version: 2011-1

Date of release: 18/11/2011

Document code: G038

XML Schema repository:<http://www.moda-ml.org/moda-ml/repository/schema/v2011-1/default.asp>

Guides repository:<http://www.moda-ml.org/moda-ml/repository/guide/v2011-1/default.asp>

Guide filename: G038-MODA-ML-GarmentAccessoryDespatchRequest.pdf

1. BUSINESS DESCRIPTION

1.1 Scope

The present guide has been issued to assist the companies of the Textile-Clothing sector in the implementation of the standard XML document type "GARMENT ACCESSORY DESPATCH REQUEST", providing all the instruction required for its use in any context of e-commerce between Apparel or Fabric Producers and Garment accessory Producers (Supplier).

All the rules required for the construction and validation of the document are embedded into the specific XML-Schema, which is detailed in section "Implementation guide".

1.2 Generalities

The message is issued to plan the delivery of the garment accessories that are in the "ready for despatch" status (see the document "Order Status").

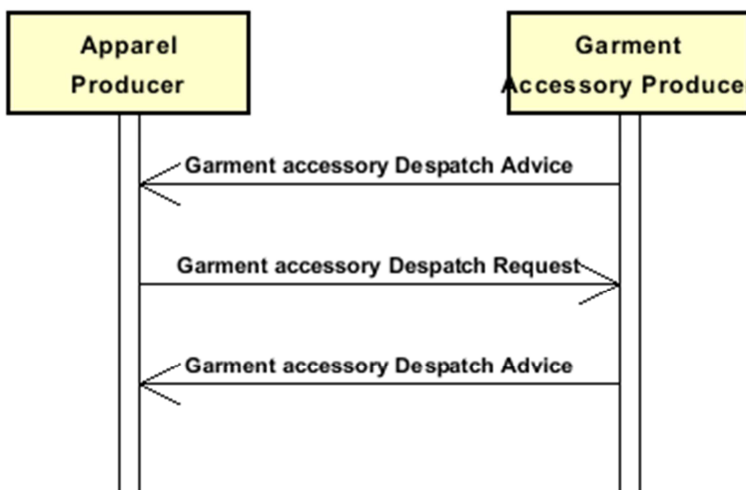
This document enables the Buyer to modify some date of its Order (delivery dates and places)

This document can be used:

- as a standard despatch request
- as a despatch request that, at the same time, cancels a previous request referenced there in

Each document item must correspond with a well defined garment accessory article (article + pattern + color) and for each item is possible to reference the Order line that is delivered.

1.3. Possible scenario



2. IMPLEMENTATION GUIDE

2.1 General structure of XML document

All the business data that can be exchanged through this class of documents are shown in the following "document structure", that provides a simplified vision of the Schema.

In particular:

- the two numbers following each element define its "cardinality" (minimum and maximum number of occurrences); the minimum equal zero indicates that the element is optional, the minimum greater than zero indicates that is mandatory;
- the bold character denotes the complex elements (aggregates of simple elements) that were built for the sake of functionality and re-usability of some complex informations sets. The child elements in each parent element are easily spotted as "indented";
- the symbol "@" denotes an attribute of the preceding element; here "the usage indicator (optional, required, ...) is shown in square brackets.

Structure

ACSDesRequest

@TRtype [Optional] [Default= STD]

@msgfunction [Optional] [Default= OR]

TRheader 1-1

msgN 1-1

- choose -

msgID 0-1

- or -

docID 0-1

@numberingOrg [Optional]

- end choose -

msgDate 1-1

@dateForm [Optional]

refDoc 0-9

@docType [Required]

docID 1-2

@numberingOrg [Optional]

docDate 0-1

@dateForm [Optional]

season 0-1

itemID 0-1

buyer 1-1

@logo [Optional]

@sender [Optional]

id 1-1

@numberingOrg [Optional]

legalName 0-1

dept 0-1

person 0-1

@email [Optional]

@phone [Optional]

@fax [Optional]

street 0-1

city 0-1

subCountry 0-1

country 0-1

postCode 0-1

supplier 1-1

@logo [Optional]

@sender [Optional]

id 1-1

@numberingOrg [Optional]
legalName 0-1
dept 0-1
person 0-1
@email [Optional]
@phone [Optional]
@fax [Optional]
street 0-1
city 0-1
subCountry 0-1
country 0-1
postCode 0-1

thirdParty 0-5

@VAT [Optional]
@role [Required]
@sender [Optional]
id 1-1
@numberingOrg [Optional]
legalName 0-1
dept 0-1
person 0-1
@email [Optional]
@phone [Optional]
@fax [Optional]
street 0-1
city 0-1
subCountry 0-1
country 0-1
postCode 0-1

note 0-5

@numberingOrg [Optional]
@codeList [Optional]
@noteLabel [Optional]

shipInfo 0-1

transInfo 0-5

@transReason [Optional]
transMode 1-1
carrier 0-1
deliveryPlace 0-1
grossWeight 0-1
@um [Required]
netWeight 0-1
@um [Required]
transMeans 0-1
transCondition 0-3
transConditionText 0-1

delEffectiveDate 0-1

@dateForm [Optional]

packages 0-5

@packageLevel [Optional]

- choose -
packageText 1-1
- or -
package 1-1
- end choose -

packageDim 0-1

length 1-1
@um [Required]
width 0-1
@um [Required]

height 0-1
@um [Required]
packageQty 0-1
packageN 0-unbounded
@numberingOrg [Optional]

acsPack 0-1

- choose -
acsPackCode 1-1
- or -
acsPackText 1-1
- end choose -

ARbody 1-1

ARitem 1-unbounded

@extinction [Optional]
lineN 1-1
@VAT [Optional]
refDoc 0-9
@docType [Required]
docID 1-2
@numberingOrg [Optional]
docDate 0-1
@dateForm [Optional]
season 0-1
itemID 0-1

acsCode 1-2

@numberingOrg [Optional]
art 1-1
@numberingOrg [Optional]
@codeList [Optional]
@listName [Optional]
@listVersion [Optional]
pattern 0-1
@numberingOrg [Optional]
@codeList [Optional]
@listName [Optional]
@listVersion [Optional]
color 0-1
@numberingOrg [Optional]
@codeList [Optional]
@listName [Optional]
@listVersion [Optional]
added 0-9
@addType [Optional]
description 0-1

qty 1-2
@um [Required]

thirdParty 0-1

@VAT [Optional]
@role [Required]
@sender [Optional]
id 1-1
@numberingOrg [Optional]
legalName 0-1
dept 0-1
person 0-1
@email [Optional]
@phone [Optional]
@fax [Optional]
street 0-1

city 0-1
 subCountry 0-1
 country 0-1
 postCode 0-1
shipInfo 0-1
transInfo 0-5
@transReason [Optional]
 transMode 1-1
 carrier 0-1
 deliveryPlace 0-1
 grossWeight 0-1
@um [Required]
 netWeight 0-1
@um [Required]
 transMeans 0-1
 transCondition 0-3
 transConditionText 0-1
 delEffectiveDate 0-1
@dateForm [Optional]
packages 0-5
@packageLevel [Optional]
 - choose -
 packageText 1-1
 - or -
 package 1-1
 - end choose -
packageDim 0-1
 length 1-1
@um [Required]
 width 0-1
@um [Required]
 height 0-1
@um [Required]
 packageQty 0-1
 packageN 0-unbounded
@numberingOrg [Optional]
acsPack 0-1
 - choose -
 acsPackCode 1-1
 - or -
 acsPackText 1-1
 - end choose -
 note 0-1
@numberingOrg [Optional]
@codeList [Optional]
@noteLabel [Optional]

2.2 Detailed description of document elements

Following tables show all elements (complex and simple) used in this document. Description includes: 1) element's information: xml tag, name, brief description, data type and syntax constraints; 2) information about use of the element in a particular position in the document: xpath and possible associated notes.

2.2.1 Complex elements (Aggregate Business Information Entities)

Complex elements are those elements whose content is composed of other elements (childs). Complex elements are alphabetically ordered.

acsCode	full codification identifying an accessory product usually coupled with garment (XPath: ACSDesRequest/ARbody/ARitem/acsCode) 1-2
acsPack	type of wrapping or packing of the garment accessory (XPath: ACSDesRequest/acsPack) 0-1 (XPath: ACSDesRequest/ARbody/ARitem/acsPack) 0-1
ARbody	body of the document GARMENT ACCESSORY DESPATCH REQUEST (XPath: ACSDesRequest/ARbody) 1-1
ARitem	line item of the document GARMENT ACCESSORY DESPATCH REQUEST (XPath: ACSDesRequest/ARbody/ARitem) 1-unbounded
buyer	details of the Buyer - base type: , (XPath: ACSDesRequest/TRheader/buyer) 1-1
packageDim	dimensions of a transport package (XPath: ACSDesRequest/shipInfo/packages/packageDim) 0-1 (XPath: ACSDesRequest/ARbody/ARitem/shipInfo/packages/packageDim) 0-1
packages	details of the transport packages (XPath: ACSDesRequest/shipInfo/packages) 0-5 - note: <i>this data group must be iterated for each type of package</i> (XPath: ACSDesRequest/ARbody/ARitem/shipInfo/packages) 0-5 - note: <i>this data group must be iterated for each type of package</i>
refDoc	identification of a document and of an item thereof, to which the message makes reference (XPath: ACSDesRequest/ARbody/ARitem/refDoc) 0-9 (XPath: ACSDesRequest/TRheader/refDoc) 0-9
shipInfo	miscellaneous informations on transport and transport packages, referred either to the whole document or to the single item (XPath: ACSDesRequest/ARbody/ARitem/shipInfo) 0-1 (XPath: ACSDesRequest/shipInfo) 0-1
supplier	details of the Supplier - base type: , (XPath: ACSDesRequest/TRheader/supplier) 1-1
thirdParty	details of the Third Party, different from Buyer or Supplier - base type: , (XPath: ACSDesRequest/ARbody/ARitem/thirdParty) 0-1 (XPath: ACSDesRequest/TRheader/thirdParty) 0-5 - note: <i>here the Consignee when different from the Client must be specified</i>
transInfo	details of transport: mode, carrier and delivery place (XPath: ACSDesRequest/shipInfo/transInfo) 0-5 - note: <i>this data group can be iterated for each transport leg</i> (XPath: ACSDesRequest/ARbody/ARitem/shipInfo/transInfo) 0-5

	- note: <i>this data group can be iterated for each transport leg</i>
TRheader	header of the TEXTILES DESPATCH REQUEST (XPath: ACSDesRequest/TRheader) 1-1

2.2.2 Simple elements (Basic Business Information Entities)

Simple elements are those elements whose content is characterized by a data type plus a domain of possible values. Simple elements are alphabetically ordered.

acsPackCode	code specifying the type of wrapping or packing used for the garment accessory - base type: string, (XPath: ACSDesRequest/acsPack/acsPackCode) 1-1 (XPath: ACSDesRequest/ARbody/ARitem/acsPack/acsPackCode) 1-1
acsPackText	free text specifying the type of wrapping or packing used for the garment accessory - base type: string, max length: 40, (XPath: ACSDesRequest/acsPack/acsPackText) 1-1 (XPath: ACSDesRequest/ARbody/ARitem/acsPack/acsPackText) 1-1
added	additional code of the product (complementing the formers) - base type: string, max length: 15, (XPath: ACSDesRequest/ARbody/ARitem/acsCode/added) 0-9 - note: <i>here an additional codification (see table T44) can be specified</i>
@addType	qualifier of the additional coding of a product - base type: string, cod. table: T44, (XPath: ACSDesRequest/ARbody/ARitem/acsCode/added/@addType) [Optional]
art	article number of the product - base type: string, max length: 25, (XPath: ACSDesRequest/ARbody/ARitem/acsCode/art) 1-1
carrier	identification of the transport carrier - base type: string, max length: 40, (XPath: ACSDesRequest/ARbody/ARitem/shipInfo/transInfo/carrier) 0-1 (XPath: ACSDesRequest/shipInfo/transInfo/carrier) 0-1
city	name of the city (town, village) - base type: string, max length: 40, (XPath: ACSDesRequest/TRheader/supplier/city) 0-1 (XPath: ACSDesRequest/TRheader/thirdParty/city) 0-1 (XPath: ACSDesRequest/ARbody/ARitem/thirdParty/city) 0-1 (XPath: ACSDesRequest/TRheader/buyer/city) 0-1
@codeList	it specifies the URL where the list of codes used to make an instance of the element can be found - base type: string, max length: 255, (XPath: ACSDesRequest/TRheader/note/@codeList) [Optional] - nota: <i>must be used to provide (URL) the list of codes used in "noteLabel"</i> (XPath: ACSDesRequest/ARbody/ARitem/acsCode/color/@codeList) [Optional] - nota: <i>this attribute should be ALTERNATIVE to the others</i> (XPath: ACSDesRequest/ARbody/ARitem/acsCode/pattern/@codeList) [Optional] - nota: <i>this attribute should be ALTERNATIVE to the others</i> (XPath: ACSDesRequest/ARbody/ARitem/acsCode/art/@codeList) [Optional] - nota: <i>this attribute should be ALTERNATIVE to the others</i> (XPath: ACSDesRequest/ARbody/ARitem/note/@codeList) [Optional] - nota: <i>must be used to provide (URL) the list of codes used in "noteLabel"</i>
color	colour number of the product, when not included in the model or fabric code - base type: string, max length: 15,

	(XPath: ACSDesRequest/ARbody/ARitem/acsCode/color) 0-1
country	code of the nation - base type: string, cod. table: T10, (XPath: ACSDesRequest/TRheader/supplier/country) 0-1 (XPath: ACSDesRequest/ARbody/ARitem/thirdParty/country) 0-1 (XPath: ACSDesRequest/TRheader/thirdParty/country) 0-1 (XPath: ACSDesRequest/TRheader/buyer/country) 0-1
@dateForm	format used for a date - base type: string, cod. table: NT29, (XPath: ACSDesRequest/ARbody/ARitem/refDoc/docDate/@dateForm) [Optional] (XPath: ACSDesRequest/shipInfo/delEffectiveDate/@dateForm) [Optional] (XPath: ACSDesRequest/TRheader/msgDate/@dateForm) [Optional] (XPath: ACSDesRequest/TRheader/refDoc/docDate/@dateForm) [Optional] (XPath: ACSDesRequest/ARbody/ARitem/shipInfo/delEffectiveDate/@dateForm) [Optional]
delEffectiveDate	effective date of delivery of goods (declared in Despatch), according to one of the patterns YYYY-MM-DD, YYYY-MM-DD:HH-MM or YYYY-WW. - base type: string, (XPath: ACSDesRequest/ARbody/ARitem/shipInfo/delEffectiveDate) 0-1 (XPath: ACSDesRequest/shipInfo/delEffectiveDate) 0-1
deliveryPlace	place of delivery of goods, ultimate or related to a given leg - base type: string, max length: 40, (XPath: ACSDesRequest/ARbody/ARitem/shipInfo/transInfo/deliveryPlace) 0-1 (XPath: ACSDesRequest/shipInfo/transInfo/deliveryPlace) 0-1
dept	name or code of a contact department within a Party - base type: string, max length: 40, (XPath: ACSDesRequest/TRheader/buyer/dept) 0-1 (XPath: ACSDesRequest/TRheader/thirdParty/dept) 0-1 (XPath: ACSDesRequest/TRheader/supplier/dept) 0-1 (XPath: ACSDesRequest/ARbody/ARitem/thirdParty/dept) 0-1
description	free text description of a product - base type: string, max length: 70, (XPath: ACSDesRequest/ARbody/ARitem/acsCode/description) 0-1
docDate	date of issue of the referenced document, according to one of the patterns YYYY-MM-DD, YYYY-MM-DD:HH-MM or YYYY-WW. - base type: string, (XPath: ACSDesRequest/TRheader/refDoc/docDate) 0-1 (XPath: ACSDesRequest/ARbody/ARitem/refDoc/docDate) 0-1
docID	identification number of the referenced document SINCE 2008-1 ITS USE IN THE HEADER IS DISCOURAGED (REPLACED BY) - base type: string, max length: 35, (XPath: ACSDesRequest/TRheader/docID) 0-1 (XPath: ACSDesRequest/ARbody/ARitem/refDoc/docID) 1-2 (XPath: ACSDesRequest/TRheader/refDoc/docID) 1-2
@docType	type or class to which the referenced document belongs - base type: string, cod. table: T21, (XPath: ACSDesRequest/ARbody/ARitem/refDoc/@docType) [Required] (XPath: ACSDesRequest/TRheader/refDoc/@docType) [Required]
@email	electronic mail address of the contact person within a Party - base type: string, max length: 80, (XPath: ACSDesRequest/TRheader/supplier/person/@email) [Optional] (XPath: ACSDesRequest/TRheader/thirdParty/person/@email) [Optional] (XPath: ACSDesRequest/ARbody/ARitem/thirdParty/person/@email) [Optional] (XPath: ACSDesRequest/TRheader/buyer/person/@email) [Optional]
@extinction	specified if the referred position (document/line) in is cleared (exhausted) by

	<p>this line item</p> <ul style="list-style-type: none"> - base type: boolean, <p>(XPath: ACSDesRequest/ARbody/ARitem/@extinction) [Optional]</p>
@fax	<p>fax number of the contact person within a Party</p> <ul style="list-style-type: none"> - base type: string, max length: 35, <p>(XPath: ACSDesRequest/TRheader/supplier/person/@fax) [Optional] (XPath: ACSDesRequest/TRheader/thirdParty/person/@fax) [Optional] (XPath: ACSDesRequest/ARbody/ARitem/thirdParty/person/@fax) [Optional] (XPath: ACSDesRequest/TRheader/buyer/person/@fax) [Optional]</p>
grossWeight	<p>the gross weight of the overall goods supply, declared for transport or customs purpose</p> <ul style="list-style-type: none"> - base type: decimal, min inclusive: 0, fraction digits: 2, <p>(XPath: ACSDesRequest/shipInfo/transInfo/grossWeight) 0-1 (XPath: ACSDesRequest/ARbody/ARitem/shipInfo/transInfo/grossWeight) 0-1</p>
height	<p>effective height of a specified object</p> <ul style="list-style-type: none"> - base type: decimal, min inclusive: 0, fraction digits: 2, <p>(XPath: ACSDesRequest/shipInfo/packages/packageDim/height) 0-1 (XPath: ACSDesRequest/ARbody/ARitem/shipInfo/packages/packageDim/height) 0-1</p>
id	<p>primary identification code of a Party; it is recommended the format: nation code (ISO 3166) + VAT identification number (11 crt), with the qualifier "numberingOrg"= MF</p> <ul style="list-style-type: none"> - base type: string, max length: 15, <p>(XPath: ACSDesRequest/TRheader/buyer/id) 1-1 (XPath: ACSDesRequest/TRheader/thirdParty/id) 1-1 (XPath: ACSDesRequest/ARbody/ARitem/thirdParty/id) 1-1 (XPath: ACSDesRequest/TRheader/supplier/id) 1-1</p>
itemID	<p>number of the line/item of the referenced document</p> <ul style="list-style-type: none"> - base type: string, max length: 6, <p>(XPath: ACSDesRequest/TRheader/refDoc/itemID) 0-1 (XPath: ACSDesRequest/ARbody/ARitem/refDoc/itemID) 0-1</p>
legalName	<p>legal name of a Party</p> <ul style="list-style-type: none"> - base type: string, max length: 80, <p>(XPath: ACSDesRequest/ARbody/ARitem/thirdParty/legalName) 0-1 (XPath: ACSDesRequest/TRheader/buyer/legalName) 0-1 (XPath: ACSDesRequest/TRheader/thirdParty/legalName) 0-1 (XPath: ACSDesRequest/TRheader/supplier/legalName) 0-1</p>
length	<p>effective length of a specified object</p> <ul style="list-style-type: none"> - base type: decimal, min inclusive: 0, fraction digits: 2, <p>(XPath: ACSDesRequest/shipInfo/packages/packageDim/length) 1-1</p> <ul style="list-style-type: none"> - note: <i>here the maximum dimension must also be specified</i> <p>(XPath: ACSDesRequest/ARbody/ARitem/shipInfo/packages/packageDim/length) 1-1</p> <ul style="list-style-type: none"> - note: <i>here the maximum dimension must also be specified</i>
lineN	<p>number of the line item of the present message (xml document)</p> <ul style="list-style-type: none"> - base type: positiveInteger, min inclusive: 1, max inclusive: 9999, <p>(XPath: ACSDesRequest/ARbody/ARitem/lineN) 1-1</p>
@listName	<p>it specifies the name of the list of codes used to make an instance of the element</p> <ul style="list-style-type: none"> - base type: string, max length: 40, <p>(XPath: ACSDesRequest/ARbody/ARitem/acsCode/color/@listName) [Optional]</p> <ul style="list-style-type: none"> - nota: <i>this attribute should always be used coupled with "numberingOrg"</i> <p>(XPath: ACSDesRequest/ARbody/ARitem/acsCode/art/@listName) [Optional]</p> <ul style="list-style-type: none"> - nota: <i>this attribute should always be used coupled with "numberingOrg"</i> <p>(XPath: ACSDesRequest/ARbody/ARitem/acsCode/pattern/@listName) [Optional]</p> <ul style="list-style-type: none"> - nota: <i>this attribute should always be used coupled with "numberingOrg"</i>

@listVersion	<p>it specifies the version of the list of codes used to make an instance of the element</p> <ul style="list-style-type: none"> - base type: string, max length: 6, (XPath: ACSDesRequest/ARbody/ARitem/acsCode/art/@listVersion) [Optional] - nota: <i>this attribute should always be used coupled with "numberingOrg" and "listName"</i> (XPath: ACSDesRequest/ARbody/ARitem/acsCode/color/@listVersion) [Optional] - nota: <i>this attribute should always be used coupled with "numberingOrg" and "listName"</i> (XPath: ACSDesRequest/ARbody/ARitem/acsCode/pattern/@listVersion) [Optional] - nota: <i>this attribute should always be used coupled with "numberingOrg" and "listName"</i>
@logo	<p>company logo (URL of the image jpeg or gif). It is recommended that the width of the image does not exceed 640 pixel.</p> <ul style="list-style-type: none"> - base type: string, max length: 255, (XPath: ACSDesRequest/TRheader/buyer/@logo) [Optional] (XPath: ACSDesRequest/TRheader/supplier/@logo) [Optional]
msgDate	<p>date of issue of the present message (xml document), according to one of the patterns YYYY-MM-DD, YYYY-MM-DD:HH-MM or YYYY-WW.</p> <ul style="list-style-type: none"> - base type: string, (XPath: ACSDesRequest/TRheader/msgDate) 1-1
@msgfunction	<p>function performed by the present message with regards to the transmission</p> <ul style="list-style-type: none"> - base type: string, cod. table: NT18, (XPath: ACSDesRequest/@msgfunction) [Optional] [Default= OR]
msgID	<p>key identifier of the document in the information system of the issuing Party</p> <ul style="list-style-type: none"> - base type: string, max length: 35, (XPath: ACSDesRequest/TRheader/msgID) 0-1
msgN	<p>identification number given to the message (xml document) by its issuer</p> <ul style="list-style-type: none"> - base type: string, max length: 35, (XPath: ACSDesRequest/TRheader/msgN) 1-1
netWeight	<p>the net weight of the overall goods supply, declared for transport or customs purpose</p> <ul style="list-style-type: none"> - base type: decimal, min inclusive: 0, fraction digits: 2, (XPath: ACSDesRequest/shipInfo/transInfo/netWeight) 0-1 (XPath: ACSDesRequest/ARbody/ARitem/shipInfo/transInfo/netWeight) 0-1
note	<p>free text or structured (computer processing) note. For note structuring use the attributes "noteLabel" and "codelist"</p> <ul style="list-style-type: none"> - base type: string, max length: 350, (XPath: ACSDesRequest/ARbody/ARitem/note) 0-1 (XPath: ACSDesRequest/TRheader/note) 0-5
@noteLabel	<p>subject qualifier of a note</p> <ul style="list-style-type: none"> - base type: string, max length: 35, (XPath: ACSDesRequest/TRheader/note/@noteLabel) [Optional] - nota: <i>must be used to qualify the subject of the note</i> (XPath: ACSDesRequest/ARbody/ARitem/note/@noteLabel) [Optional] - nota: <i>must be used to qualify the subject of the note</i>
@numberingOrg	<p>code specifying the organisation who has created or owns the coding or numbering system</p> <ul style="list-style-type: none"> - base type: string, cod. table: NT6, (XPath: ACSDesRequest/ARbody/ARitem/acsCode/art/@numberingOrg) [Optional] - nota: <i>this attribute should be used either single or coupled with "listName" and "listVersion"</i> (XPath: ACSDesRequest/ARbody/ARitem/acsCode/@numberingOrg) [Optional] (XPath: ACSDesRequest/ARbody/ARitem/acsCode/color/@numberingOrg) [Optional] - nota: <i>this attribute should be used either single or coupled with "listName"</i>

	<p>and “listVersion” (XPath: ACSDesRequest/ARbody/ARitem/note/@numberingOrg) [Optional] (XPath: ACSDesRequest/ARbody/ARitem/acsCode/pattern/@numberingOrg) [Optional] - nota: this attribute should be used either single or coupled with “listName” and “listVersion” (XPath: ACSDesRequest/TRheader/docID/@numberingOrg) [Optional] - nota: here can be specified whose document numbering is used (e.g.: Client, Supplier, ..) (XPath: ACSDesRequest/ARbody/ARitem/thirdParty/id/@numberingOrg) [Optional] (XPath: ACSDesRequest/TRheader/refDoc/docID/@numberingOrg) [Optional] - nota: here can be specified whose document numbering is used (e.g.: Client, Supplier, ..) (XPath: ACSDesRequest/ARbody/ARitem/shipInfo/packages/packageN/@numberingOrg) [Optional] (XPath: ACSDesRequest/TRheader/note/@numberingOrg) [Optional] (XPath: ACSDesRequest/TRheader/supplier/id/@numberingOrg) [Optional] (XPath: ACSDesRequest/shipInfo/packages/packageN/@numberingOrg) [Optional] (XPath: ACSDesRequest/TRheader/thirdParty/id/@numberingOrg) [Optional] (XPath: ACSDesRequest/TRheader/buyer/id/@numberingOrg) [Optional] (XPath: ACSDesRequest/ARbody/ARitem/refDoc/docID/@numberingOrg) [Optional] - nota: here can be specified whose document numbering is used (e.g.: Client, Supplier, ..)</p>
package	<p>code specifying the type of package used for transport and delivery - base type: string, cod. table: T11, (XPath: ACSDesRequest/shipInfo/packages/package) 1-1 (XPath: ACSDesRequest/ARbody/ARitem/shipInfo/packages/package) 1-1</p>
@packageLevel	<p>level used to indicate the hierarchical structure of the packages (from outer to inner levels) - base type: positiveInteger, min inclusive: 1, max inclusive: 9, (XPath: ACSDesRequest/shipInfo/packages/@packageLevel) [Optional] - nota: the hierarchic indication of the packages stucture must either be used for all packages or not be used (XPath: ACSDesRequest/ARbody/ARitem/shipInfo/packages/@packageLevel) [Optional] - nota: the hierarchic indication of the packages stucture must either be used for all packages or not be used</p>
packageN	<p>serial number used to identify a transport package - base type: string, max length: 25, (XPath: ACSDesRequest/shipInfo/packages/packageN) 0-unbounded - note: here the serial no.s of the packages can be identified (XPath: ACSDesRequest/ARbody/ARitem/shipInfo/packages/packageN) 0-unbounded - note: here the serial no.s of the packages can be identified</p>
packageQty	<p>quantity of the specified transport packages - base type: positiveInteger, (XPath: ACSDesRequest/ARbody/ARitem/shipInfo/packages/packageQty) 0-1 - note: total for the type of package (XPath: ACSDesRequest/shipInfo/packages/packageQty) 0-1 - note: total for the type of package</p>
packageText	<p>free text specifying the type of package used for transport and delivery - base type: string, max length: 40, (XPath: ACSDesRequest/ARbody/ARitem/shipInfo/packages/packageText) 1-1 (XPath: ACSDesRequest/shipInfo/packages/packageText) 1-1</p>
pattern	<p>pattern/design number of the product, when not included in the article code - base type: string, max length: 15, (XPath: ACSDesRequest/ARbody/ARitem/acsCode/pattern) 0-1</p>
person	<p>name of the contact person within a Party - base type: string, max length: 40,</p>

	<p>(XPath: ACSDesRequest/TRheader/supplier/person) 0-1 (XPath: ACSDesRequest/TRheader/thirdParty/person) 0-1 (XPath: ACSDesRequest/TRheader/buyer/person) 0-1 (XPath: ACSDesRequest/ARbody/ARitem/thirdParty/person) 0-1</p>
@phone	<p>phone number of the contact person within a Party - base type: string, max length: 35, (XPath: ACSDesRequest/ARbody/ARitem/thirdParty/person/@phone) [Optional] (XPath: ACSDesRequest/TRheader/thirdParty/person/@phone) [Optional] (XPath: ACSDesRequest/TRheader/supplier/person/@phone) [Optional] (XPath: ACSDesRequest/TRheader/buyer/person/@phone) [Optional]</p>
postCode	<p>code defining the postal zone - base type: string, max length: 10, (XPath: ACSDesRequest/ARbody/ARitem/thirdParty/postCode) 0-1 (XPath: ACSDesRequest/TRheader/buyer/postCode) 0-1 (XPath: ACSDesRequest/TRheader/supplier/postCode) 0-1 (XPath: ACSDesRequest/TRheader/thirdParty/postCode) 0-1</p>
qty	<p>net quantity of the article or object correlated, qualified by the function of the document (ordering, delivering, ...) and by the context - base type: decimal, min inclusive: 0, fraction digits: 2, (XPath: ACSDesRequest/ARbody/ARitem/qty) 1-2</p>
@role	<p>Third Party role qualifier - base type: string, cod. table: NT2, (XPath: ACSDesRequest/TRheader/thirdParty/@role) [Required] (XPath: ACSDesRequest/ARbody/ARitem/thirdParty/@role) [Required]</p>
season	<p>sale season; defined as: season (1 crt) + year (4 crt) - season: S/S=1 A/W=2 Spring=3 Summer=4 Autumn=5 Winter=6: for more than four seasons use alphabetic sequence: 1st season=A 2nd season=B etc.etc. - base type: string, max length: 15, (XPath: ACSDesRequest/TRheader/refDoc/season) 0-1 - note: here indicates the season to which the referenced document belongs (XPath: ACSDesRequest/ARbody/ARitem/refDoc/season) 0-1 - note: here indicates the season to which the referenced document belongs</p>
@sender	<p>qualifier that specifies the Party issuing of the document - base type: boolean, (XPath: ACSDesRequest/ARbody/ARitem/thirdParty/@sender) [Optional] - nota: This attribute is mandatory when the STYLESHEET must be produced (XPath: ACSDesRequest/TRheader/buyer/@sender) [Optional] - nota: This attribute is mandatory when the STYLESHEET must be produced (XPath: ACSDesRequest/TRheader/supplier/@sender) [Optional] - nota: This attribute is mandatory when the STYLESHEET must be produced (XPath: ACSDesRequest/TRheader/thirdParty/@sender) [Optional] - nota: This attribute is mandatory when the STYLESHEET must be produced</p>
street	<p>street and building number identifying a location - base type: string, max length: 80, (XPath: ACSDesRequest/TRheader/buyer/street) 0-1 (XPath: ACSDesRequest/TRheader/supplier/street) 0-1 (XPath: ACSDesRequest/TRheader/thirdParty/street) 0-1 (XPath: ACSDesRequest/ARbody/ARitem/thirdParty/street) 0-1</p>
subCountry	<p>short name or code of the sub-country entity - base type: string, max length: 9, (XPath: ACSDesRequest/TRheader/buyer/subCountry) 0-1 (XPath: ACSDesRequest/ARbody/ARitem/thirdParty/subCountry) 0-1 (XPath: ACSDesRequest/TRheader/thirdParty/subCountry) 0-1 (XPath: ACSDesRequest/TRheader/supplier/subCountry) 0-1</p>

transCondition	special condition of transport or special service requested to the Forwarder - base type: string, cod. table: T38, (XPath: ACSDesRequest/ARbody/ARitem/shipInfo/transInfo/transCondition) 0-3 (XPath: ACSDesRequest/shipInfo/transInfo/transCondition) 0-3
transConditionText	free text description of the special condition of transport or special service requested to the Forwarder - base type: string, max length: 100, (XPath: ACSDesRequest/ARbody/ARitem/shipInfo/transInfo/transConditionText) 0-1 (XPath: ACSDesRequest/shipInfo/transInfo/transConditionText) 0-1
transMeans	means of transport, in general or referred to a specific leg - base type: string, cod. table: T40, (XPath: ACSDesRequest/shipInfo/transInfo/transMeans) 0-1 (XPath: ACSDesRequest/ARbody/ARitem/shipInfo/transInfo/transMeans) 0-1
transMode	way of transport, in general or referred to the specified leg - base type: string, cod. table: T8, (XPath: ACSDesRequest/shipInfo/transInfo/transMode) 1-1 (XPath: ACSDesRequest/ARbody/ARitem/shipInfo/transInfo/transMode) 1-1
@transReason	reason for the transport - base type: string, cod. table: NT11, (XPath: ACSDesRequest/shipInfo/transInfo/@transReason) [Optional] (XPath: ACSDesRequest/ARbody/ARitem/shipInfo/transInfo/@transReason) [Optional]
@TRtype	type of Despatch request - base type: string, cod. table: NT9, (XPath: ACSDesRequest/@TRtype) [Optional] [Default= STD]
@um	specification of the unit of measure - base type: string, cod. table: NT7, (XPath: ACSDesRequest/ARbody/ARitem/shipInfo/packages/packageDim/width/@um) [Required] (XPath: ACSDesRequest/ARbody/ARitem/shipInfo/packages/packageDim/height/@um) [Required] (XPath: ACSDesRequest/shipInfo/packages/packageDim/width/@um) [Required] (XPath: ACSDesRequest/shipInfo/packages/packageDim/height/@um) [Required] (XPath: ACSDesRequest/shipInfo/packages/packageDim/length/@um) [Required] (XPath: ACSDesRequest/shipInfo/transInfo/grossWeight/@um) [Required] (XPath: ACSDesRequest/shipInfo/transInfo/netWeight/@um) [Required] (XPath: ACSDesRequest/ARbody/ARitem/qty/@um) [Required] (XPath: ACSDesRequest/ARbody/ARitem/shipInfo/transInfo/grossWeight/@um) [Required] (XPath: ACSDesRequest/ARbody/ARitem/shipInfo/transInfo/netWeight/@um) [Required] (XPath: ACSDesRequest/ARbody/ARitem/shipInfo/packages/packageDim/length/@um) [Required]
@VAT	VAT rate or code - base type: string, cod. table: NT16, (XPath: ACSDesRequest/TRheader/thirdParty/@VAT) [Optional] (XPath: ACSDesRequest/ARbody/ARitem/lineN/@VAT) [Optional] (XPath: ACSDesRequest/ARbody/ARitem/thirdParty/@VAT) [Optional]
width	effective width of a specified object - base type: decimal, min inclusive: 0, fraction digits: 2, (XPath: ACSDesRequest/ARbody/ARitem/shipInfo/packages/packageDim/width) 0-1 (XPath: ACSDesRequest/shipInfo/packages/packageDim/width) 0-1

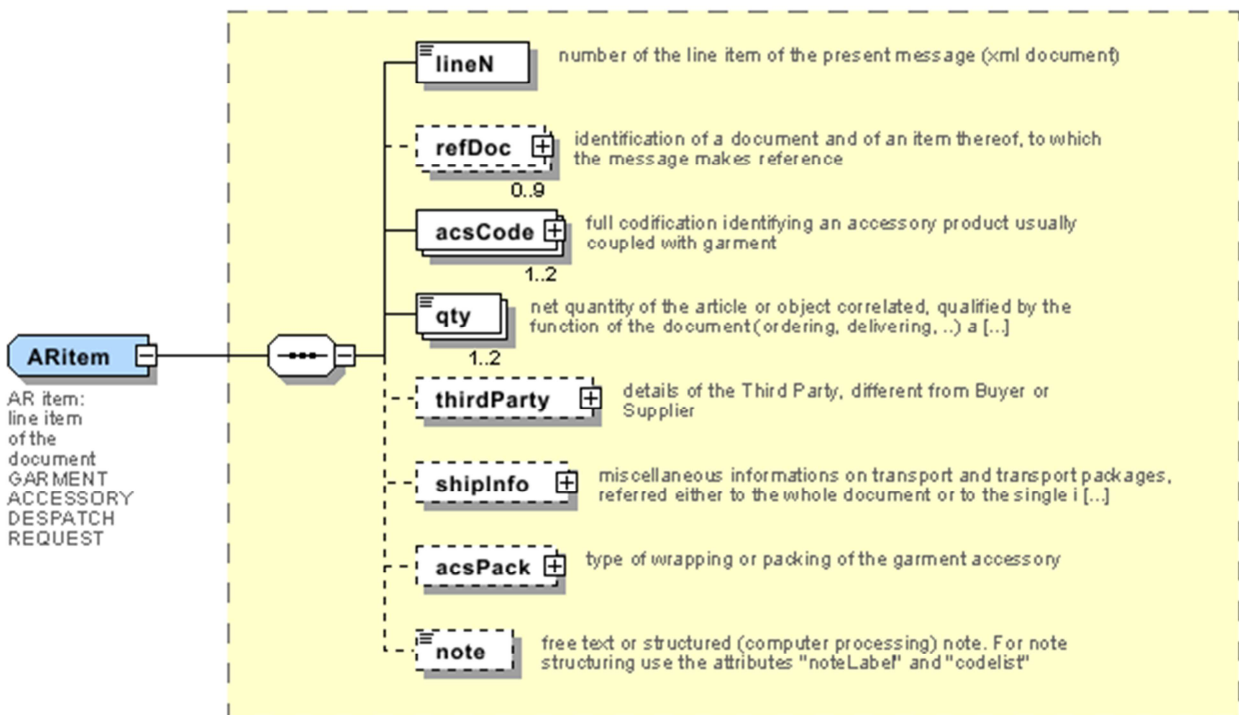
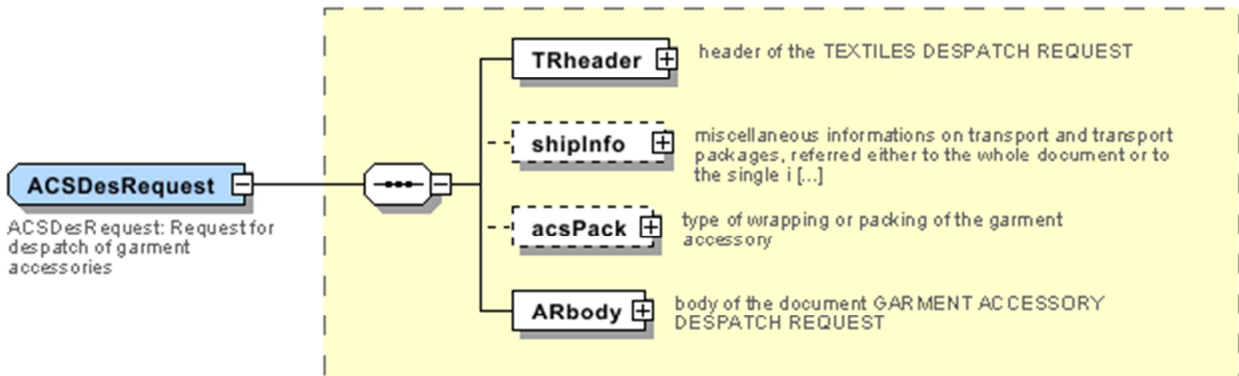
2.3 Enumeration tables

List of enumeration tables used in the XML document. You can find the corresponding codes (only for tables with less than 100 values) in the document `Decoding_Values.pdf`, available at: <http://www.moda-ml.org/moda-ml/repository/guide/v2011-1/>; moreover, all the enumeration tables are available at: <http://www.moda-ml.org/imple/show-codes.asp>.

NT11 - Transport causal
NT16 - VAT rate or code
NT18 - message function
NT2 - Third party qualifier
NT29 - format of a date
NT6 - Coding system owner/issuer
NT7 - Unity of measure
NT9 - Despatch request type
T10 - ISO3166 - Country
T11 - Transport package type
T21 - type of document
T38 - transport conditions
T40 - type of transport means
T44 - additional code type
T8 - Modes of Transport

Annex A

Representative images of the principal complex elements' structure.



TRheader
 TR header:
 header of
 the TEXTILES
 DESPATCH
 REQUEST

