



<http://www.moda-ml.org>

IMPLEMENTATION GUIDE
TRANSACTION "RAW MATERIAL DESPATCH ADVICE"

Version: 2011-1

Date of release: 18/11/2011

Document code: G042

XML Schema repository:<http://www.moda-ml.org/moda-ml/repository/schema/v2011-1/default.asp>

Guides repository:<http://www.moda-ml.org/moda-ml/repository/guide/v2011-1/default.asp>

Guide filename: G042-MODA-ML-RawMaterialDespatchAdvice.pdf

1. BUSINESS DESCRIPTION

1.1 Scope

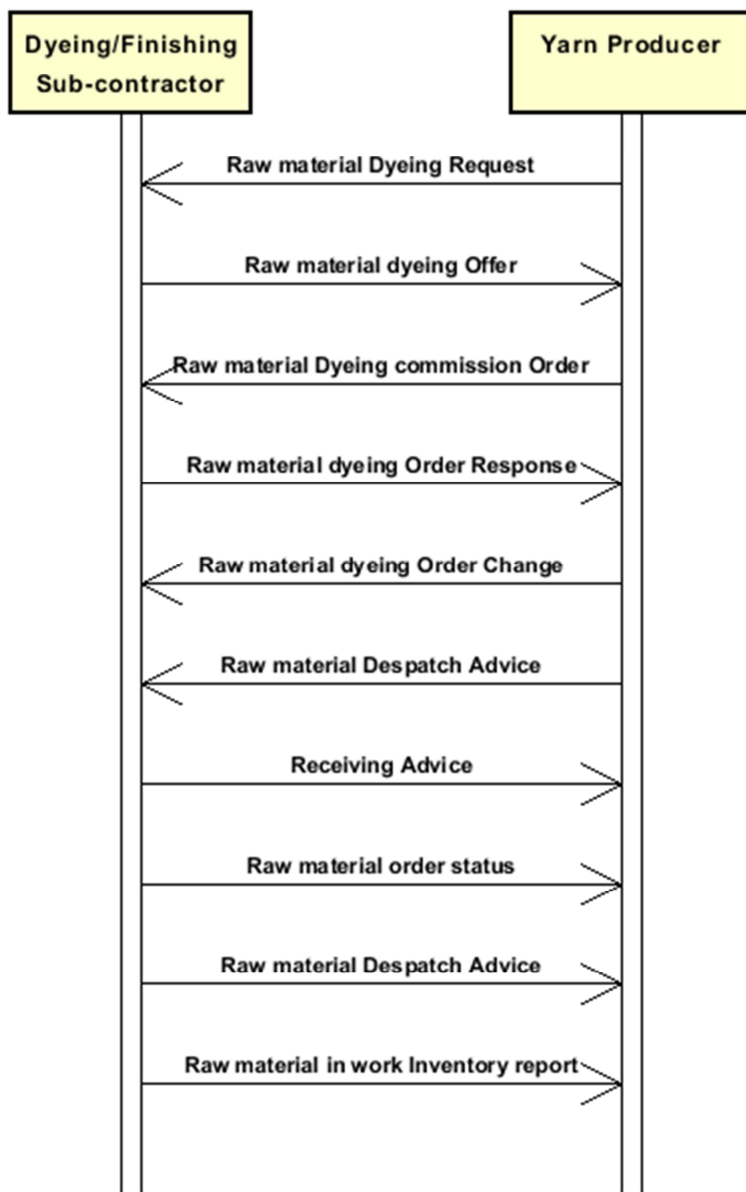
The present guide has been issued to assist the companies of the Textile-Clothing sector in the implementation of the standard XML document type "RAW MATERIAL DESPATCH ADVISE", providing all the instruction required for its use in any context of e-commerce between Yarn Producers (or Subcontractors) and their Clients.

All the rules required for the construction and validation of the document are embedded into the specific XML-Schema, which is detailed in section "Implementation guide".

1.2 Generalities

Document usable by the Commissioner to inform the Subcontractor about the shipment of raw material to be worked

1.3. Possible scenario



2. IMPLEMENTATION GUIDE

2.1 General structure of XML document

All the business data that can be exchanged through this class of documents are shown in the following "document structure", that provides a simplified vision of the Schema.

In particular:

- the two numbers following each element define its "cardinality" (minimum and maximum number of occurrences); the minimum equal zero indicates that the element is optional, the minimum greater than zero indicates that is mandatory;
- the bold character denotes the complex elements (aggregates of simple elements) that were built for the sake of functionality and re-usability of some complex informations sets. The child elements in each parent element are easily spotted as "indented";
- the symbol "@" denotes an attribute of the preceding element; here "the usage indicator (optional, required, ...) is shown in square brackets.

Structure

RAWDesAdvise

@TAtype [Optional] [Default= STD]

@msgfunction [Optional] [Default= OR]

THeader 1-1

msgN 1-1

- choose -

msgID 0-1

- or -

docID 0-1

@numberingOrg [Optional]

- end choose -

msgDate 1-1

@dateForm [Optional]

refDoc 0-9

@docType [Required]

docID 1-2

@numberingOrg [Optional]

docDate 0-1

@dateForm [Optional]

season 0-1

itemID 0-1

buyer 1-1

@logo [Optional]

@sender [Optional]

id 1-1

@numberingOrg [Optional]

legalName 0-1

dept 0-1

person 0-1

@email [Optional]

@phone [Optional]

@fax [Optional]

street 0-1

city 0-1

subCountry 0-1

country 0-1

postCode 0-1

supplier 1-1

@logo [Optional]

@sender [Optional]

id 1-1

@numberingOrg [Optional]
legalName 0-1
dept 0-1
person 0-1
@email [Optional]
@phone [Optional]
@fax [Optional]
street 0-1
city 0-1
subCountry 0-1
country 0-1
postCode 0-1

thirdParty 0-5

@VAT [Optional]
@role [Required]
@sender [Optional]
id 1-1
@numberingOrg [Optional]
legalName 0-1
dept 0-1
person 0-1
@email [Optional]
@phone [Optional]
@fax [Optional]
street 0-1
city 0-1
subCountry 0-1
country 0-1
postCode 0-1

note 0-5

@numberingOrg [Optional]
@codeList [Optional]
@noteLabel [Optional]

trade 0-1

- choose -
incoTermText 1-1
- or -
incoTerm 1-1
- end choose -
location 0-1
@LRI [Optional]

shipInfo 0-1

transInfo 0-5

@transReason [Optional]
transMode 1-1
carrier 0-1
deliveryPlace 0-1
grossWeight 0-1
@um [Required]
netWeight 0-1
@um [Required]
transMeans 0-1
transCondition 0-3
transConditionText 0-1

delEffectiveDate 0-1

@dateForm [Optional]

packages 0-5

@packageLevel [Optional]
- choose -

packageText 1-1
 - or -
 package 1-1
 - end choose -
packageDim 0-1
 length 1-1
 @um [Required]
 width 0-1
 @um [Required]
 height 0-1
 @um [Required]
 packageQty 0-1
 packageN 0-unbounded
 @numberingOrg [Optional]

RAbody 1-1

RAitem 1-unbounded

@extinction [Optional]
 lineN 1-1
 @VAT [Optional]
refDoc 0-1
 @docType [Required]
 docID 1-2
 @numberingOrg [Optional]
 docDate 0-1
 @dateForm [Optional]
 season 0-1
 itemID 0-1
rawCode 1-2
 @numberingOrg [Optional]
 art 1-1
 @numberingOrg [Optional]
 @codeList [Optional]
 @listName [Optional]
 @listVersion [Optional]
 color 0-1
 @numberingOrg [Optional]
 @codeList [Optional]
 @listName [Optional]
 @listVersion [Optional]
 added 0-9
 @addType [Optional]
 description 0-1
rawSpecs 0-9
 - choose -
 rawCharText 1-1
 - or -
 rawChar 1-1
 - end choose -
 specValue 0-1
 @um [Optional]
 @method [Optional]
 - choose -
 pcTolerance 0-2
 @um [Optional]
 - or -
 tolerance 0-2
 @um [Required]
 - end choose -
 qty 1-2
 @um [Required]

note 0-1
@numberingOrg [Optional]
@codeList [Optional]
@noteLabel [Optional]

2.2 Detailed description of document elements

Following tables show all elements (complex and simple) used in this document. Description includes: 1) element's information: xml tag, name, brief description, data type and syntax constraints; 2) information about use of the element in a particular position in the document: xpath and possible associated notes.

2.2.1 Complex elements (Aggregate Business Information Entities)

Complex elements are those elements whose content is composed of other elements (childs).Complex elements are alphabetically ordered.

buyer	details of the Buyer - base type: , (XPath: RAWDesAdvise/TAheader/buyer) 1-1
packageDim	dimensions of a transport package (XPath: RAWDesAdvise/shipInfo/packages/packageDim) 0-1
packages	details of the transport packages (XPath: RAWDesAdvise/shipInfo/packages) 0-5 - note: <i>this data group must be iterated for each type of package</i>
RAbody	body of the document RAW MATERIAL DESPATCH ADVISE (XPath: RAWDesAdvise/RAbody) 1-1
RAitem	line item of the document RAW MATERIAL DESPATCH ADVISE (XPath: RAWDesAdvise/RAbody/RAitem) 1-unbounded
rawCode	full codification of a raw material (XPath: RAWDesAdvise/RAbody/RAitem/rawCode) 1-2
rawSpecs	technical characteristics of a raw material linked to an operation of the sub-contracted production of yarn or to the purchas of yarn (XPath: RAWDesAdvise/RAbody/RAitem/rawSpecs) 0-9
refDoc	identification of a document and of an item thereof, to which the message makes reference (XPath: RAWDesAdvise/TAheader/refDoc) 0-9 (XPath: RAWDesAdvise/RAbody/RAitem/refDoc) 0-1
shipInfo	miscellaneous informations on transport and transport packages, referred either to the whole document or to the single item (XPath: RAWDesAdvise/shipInfo) 0-1
supplier	details of the Supplier - base type: , (XPath: RAWDesAdvise/TAheader/supplier) 1-1
TAheader	header of the TEXTILES (YARN) DESPATCH ADVISE (XPath: RAWDesAdvise/TAheader) 1-1
thirdParty	details of the Third Party, different from Buyer or Supplier - base type: , (XPath: RAWDesAdvise/TAheader/thirdParty) 0-5 - note: <i>here the Consignee when different from the Client must be specified</i>
trade	general terms of trade for the specified supply (XPath: RAWDesAdvise/trade) 0-1
transInfo	details of transport: mode, carrier and delivery place (XPath: RAWDesAdvise/shipInfo/transInfo) 0-5 - note: <i>this data group can be iterated for each transport leg</i>

2.2.2 Simple elements (Basic Business Information Entities)

Simple elements are those elements whose content is characterized by a data type plus a domain of possible values. Simple elements are alphabetically ordered.

added	additional code of the product (complementing the formers) - base type: string, max length: 15, (XPath: RAWDesAdvise/RABody/RAitem/rawCode/added) 0-9
@addType	qualifier of the additional coding of a product - base type: string, cod. table: T44, (XPath: RAWDesAdvise/RABody/RAitem/rawCode/added/@addType) [Optional]
art	article number of the product - base type: string, max length: 25, (XPath: RAWDesAdvise/RABody/RAitem/rawCode/art) 1-1
carrier	identification of the transport carrier - base type: string, max length: 40, (XPath: RAWDesAdvise/shipInfo/transInfo/carrier) 0-1
city	name of the city (town, village) - base type: string, max length: 40, (XPath: RAWDesAdvise/TAheader/thirdParty/city) 0-1 (XPath: RAWDesAdvise/TAheader/buyer/city) 0-1 (XPath: RAWDesAdvise/TAheader/supplier/city) 0-1
@codeList	it specifies the URL where the list of codes used to make an instance of the element can be found - base type: string, max length: 255, (XPath: RAWDesAdvise/RABody/RAitem/rawCode/art/@codeList) [Optional] - nota: <i>this attribute should be ALTERNATIVE to the others</i> (XPath: RAWDesAdvise/TAheader/note/@codeList) [Optional] - nota: <i>must be used to provide (URL) the list of codes used in "noteLabel"</i> (XPath: RAWDesAdvise/RABody/RAitem/rawCode/color/@codeList) [Optional] - nota: <i>this attribute should be ALTERNATIVE to the others</i> (XPath: RAWDesAdvise/RABody/RAitem/note/@codeList) [Optional] - nota: <i>must be used to provide (URL) the list of codes used in "noteLabel"</i>
color	colour number of the product, when not included in the model or fabric code - base type: string, max length: 15, (XPath: RAWDesAdvise/RABody/RAitem/rawCode/color) 0-1
country	code of the nation - base type: string, cod. table: T10, (XPath: RAWDesAdvise/TAheader/buyer/country) 0-1 (XPath: RAWDesAdvise/TAheader/supplier/country) 0-1 (XPath: RAWDesAdvise/TAheader/thirdParty/country) 0-1
@dateForm	format used for a date - base type: string, cod. table: NT29, (XPath: RAWDesAdvise/TAheader/msgDate/@dateForm) [Optional] (XPath: RAWDesAdvise/shipInfo/delEffectiveDate/@dateForm) [Optional] (XPath: RAWDesAdvise/RABody/RAitem/refDoc/docDate/@dateForm) [Optional] (XPath: RAWDesAdvise/TAheader/refDoc/docDate/@dateForm) [Optional]
delEffectiveDate	effective date of delivery of goods (declared in Despatch), according to one of the patterns YYYY-MM-DD, YYYY-MM-DD:HH-MM or YYYY-WW. - base type: string, (XPath: RAWDesAdvise/shipInfo/delEffectiveDate) 0-1
deliveryPlace	place of delivery of goods, ultimate or related to a given leg - base type: string, max length: 40, (XPath: RAWDesAdvise/shipInfo/transInfo/deliveryPlace) 0-1

dept	name or code of a contact department within a Party - base type: string, max length: 40, (XPath: RAWDesAdvise/TAheader/supplier/dept) 0-1 (XPath: RAWDesAdvise/TAheader/thirdParty/dept) 0-1 (XPath: RAWDesAdvise/TAheader/buyer/dept) 0-1
description	free text description of a product - base type: string, max length: 70, (XPath: RAWDesAdvise/RABody/RAitem/rawCode/description) 0-1
docDate	date of issue of the referenced document, according to one of the patterns YYYY-MM-DD, YYYY-MM-DD:HH-MM or YYYY-WW. - base type: string, (XPath: RAWDesAdvise/TAheader/refDoc/docDate) 0-1 (XPath: RAWDesAdvise/RABody/RAitem/refDoc/docDate) 0-1
docID	identification number of the referenced document SINCE 2008-1 ITS USE IN THE HEADER IS DISCOURAGED (REPLACED BY) - base type: string, max length: 35, (XPath: RAWDesAdvise/TAheader/refDoc/docID) 1-2 (XPath: RAWDesAdvise/TAheader/docID) 0-1 (XPath: RAWDesAdvise/RABody/RAitem/refDoc/docID) 1-2
@docType	type or class to which the referenced document belongs - base type: string, cod. table: T21, (XPath: RAWDesAdvise/RABody/RAitem/refDoc/@docType) [Required] (XPath: RAWDesAdvise/TAheader/refDoc/@docType) [Required]
@email	electronic mail address of the contact person within a Party - base type: string, max length: 80, (XPath: RAWDesAdvise/TAheader/thirdParty/person/@email) [Optional] (XPath: RAWDesAdvise/TAheader/buyer/person/@email) [Optional] (XPath: RAWDesAdvise/TAheader/supplier/person/@email) [Optional]
@extinction	specified if the referred position (document/line) in is cleared (exhausted) by this line item - base type: boolean, (XPath: RAWDesAdvise/RABody/RAitem/@extinction) [Optional]
@fax	fax number of the contact person within a Party - base type: string, max length: 35, (XPath: RAWDesAdvise/TAheader/thirdParty/person/@fax) [Optional] (XPath: RAWDesAdvise/TAheader/buyer/person/@fax) [Optional] (XPath: RAWDesAdvise/TAheader/supplier/person/@fax) [Optional]
grossWeight	the gross weight of the overall goods supply, declared for transport or customs purpose - base type: decimal, min inclusive: 0, fraction digits: 2, (XPath: RAWDesAdvise/shipInfo/transInfo/grossWeight) 0-1
height	effective height of a specified object - base type: decimal, min inclusive: 0, fraction digits: 2, (XPath: RAWDesAdvise/shipInfo/packages/packageDim/height) 0-1
id	primary identification code of a Party; it is recommended the format: nation code (ISO 3166) + VAT identification number (11 crt), with the qualifier "numberingOrg"= MF - base type: string, max length: 15, (XPath: RAWDesAdvise/TAheader/supplier/id) 1-1 (XPath: RAWDesAdvise/TAheader/buyer/id) 1-1 (XPath: RAWDesAdvise/TAheader/thirdParty/id) 1-1
incoTerm	specification of the terms of trade (INCOTERMS) - base type: string, cod. table: T3, (XPath: RAWDesAdvise/trade/incoTerm) 1-1
incoTermText	free text specifying the terms of trade (incoterm, location)

	- base type: string, max length: 70, (XPath: RAWDesAdvise/trade/incoTermText) 1-1
itemID	number of the line/item of the referenced document - base type: string, max length: 6, (XPath: RAWDesAdvise/RABody/RAitem/refDoc/itemID) 0-1 (XPath: RAWDesAdvise/TAheader/refDoc/itemID) 0-1
legalName	legal name of a Party - base type: string, max length: 80, (XPath: RAWDesAdvise/TAheader/thirdParty/legalName) 0-1 (XPath: RAWDesAdvise/TAheader/supplier/legalName) 0-1 (XPath: RAWDesAdvise/TAheader/buyer/legalName) 0-1
length	effective length of a specified object - base type: decimal, min inclusive: 0, fraction digits: 2, (XPath: RAWDesAdvise/shipInfo/packages/packageDim/length) 1-1 - note: <i>here the maximum dimension must also be specified</i>
lineN	number of the line item of the present message (xml document) - base type: positiveInteger, min inclusive: 1, max inclusive: 9999, (XPath: RAWDesAdvise/RABody/RAitem/lineN) 1-1
@listName	it specifies the name of the list of codes used to make an instance of the element - base type: string, max length: 40, (XPath: RAWDesAdvise/RABody/RAitem/rawCode/color/@listName) [Optional] - nota: <i>this attribute should always be used coupled with "numberingOrg"</i> (XPath: RAWDesAdvise/RABody/RAitem/rawCode/art/@listName) [Optional] - nota: <i>this attribute should always be used coupled with "numberingOrg"</i>
@listVersion	it specifies the version of the list of codes used to make an instance of the element - base type: string, max length: 6, (XPath: RAWDesAdvise/RABody/RAitem/rawCode/art/@listVersion) [Optional] - nota: <i>this attribute should always be used coupled with "numberingOrg" and "listName"</i> (XPath: RAWDesAdvise/RABody/RAitem/rawCode/color/@listVersion) [Optional] - nota: <i>this attribute should always be used coupled with "numberingOrg" and "listName"</i>
location	specification of a location - base type: string, max length: 40, (XPath: RAWDesAdvise/trade/location) 0-1 - note: <i>place to which the INCOTERM applies</i>
@logo	company logo (URL of the image jpeg or gif). It is recommended that the width of the image does not exceed 640 pixel. - base type: string, max length: 255, (XPath: RAWDesAdvise/TAheader/supplier/@logo) [Optional] (XPath: RAWDesAdvise/TAheader/buyer/@logo) [Optional]
@LRI	attribute usable to format a string according to a customized User rule (local rule) - base type: string, cod. table: NT3, (XPath: RAWDesAdvise/trade/location/@LRI) [Optional]
@method	standard protocol or method employed in a test to evaluate a characteristic or a parameter - base type: string, max length: 25, (XPath: RAWDesAdvise/RABody/RAitem/rawSpecs/specValue/@method) [Optional]
msgDate	date of issue of the present message (xml document), according to one of the patterns YYYY-MM-DD, YYYY-MM-DD:HH-MM or YYYY-WW. - base type: string, (XPath: RAWDesAdvise/TAheader/msgDate) 1-1

@msgfunction	function performed by the present message with regards to the transmission - base type: string, cod. table: NT18, (XPath: RAWDesAdvise/@msgfunction) [Optional] [Default= OR]
msgID	key identifier of the document in the information system of the issuing Party - base type: string, max length: 35, (XPath: RAWDesAdvise/TAheader/msgID) 0-1
msgN	identification number given to the message (xml document) by its issuer - base type: string, max length: 35, (XPath: RAWDesAdvise/TAheader/msgN) 1-1
netWeight	the net weight of the overall goods supply, declared for transport or customs purpose - base type: decimal, min inclusive: 0, fraction digits: 2, (XPath: RAWDesAdvise/shipInfo/transInfo/netWeight) 0-1
note	free text or structured (computer processing) note. For note structuring use the attributes "noteLabel" and "codelist" - base type: string, max length: 350, (XPath: RAWDesAdvise/TAheader/note) 0-5 (XPath: RAWDesAdvise/RABody/RAitem/note) 0-1
@noteLabel	subject qualifier of a note - base type: string, max length: 35, (XPath: RAWDesAdvise/RABody/RAitem/note/@noteLabel) [Optional] - nota: <i>must be used to qualify the subject of the note</i> (XPath: RAWDesAdvise/TAheader/note/@noteLabel) [Optional] - nota: <i>must be used to qualify the subject of the note</i>
@numberingOrg	code specifying the organisation who has created or owns the coding or numbering system - base type: string, cod. table: NT6, (XPath: RAWDesAdvise/RABody/RAitem/rawCode/@numberingOrg) [Optional] (XPath: RAWDesAdvise/shipInfo/packages/packageN/@numberingOrg) [Optional] (XPath: RAWDesAdvise/TAheader/supplier/id/@numberingOrg) [Optional] (XPath: RAWDesAdvise/RABody/RAitem/refDoc/docID/@numberingOrg) [Optional] - nota: <i>here can be specified whose document numbering is used (e.g.: Client, Supplier, ..)</i> (XPath: RAWDesAdvise/RABody/RAitem/rawCode/art/@numberingOrg) [Optional] - nota: <i>this attribute should be used either single or coupled with "listName" and "listVersion"</i> (XPath: RAWDesAdvise/TAheader/docID/@numberingOrg) [Optional] - nota: <i>here can be specified whose document numbering is used (e.g.: Client, Supplier, ..)</i> (XPath: RAWDesAdvise/RABody/RAitem/note/@numberingOrg) [Optional] (XPath: RAWDesAdvise/TAheader/refDoc/docID/@numberingOrg) [Optional] - nota: <i>here can be specified whose document numbering is used (e.g.: Client, Supplier, ..)</i> (XPath: RAWDesAdvise/TAheader/buyer/id/@numberingOrg) [Optional] (XPath: RAWDesAdvise/RABody/RAitem/rawCode/color/@numberingOrg) [Optional] - nota: <i>this attribute should be used either single or coupled with "listName" and "listVersion"</i> (XPath: RAWDesAdvise/TAheader/thirdParty/id/@numberingOrg) [Optional] (XPath: RAWDesAdvise/TAheader/note/@numberingOrg) [Optional]
package	code specifying the type of package used for transport and delivery - base type: string, cod. table: T11, (XPath: RAWDesAdvise/shipInfo/packages/package) 1-1
@packageLevel	level used to indicate the hierarchical structure of the packages (from outer to inner levels) - base type: positiveInteger, min inclusive: 1, max inclusive: 9, (XPath: RAWDesAdvise/shipInfo/packages/@packageLevel) [Optional] - nota: <i>the hierarchic indication of the packages stucture must either be</i>

	<i>used for all packages or not be used</i>
packageN	serial number used to identify a transport package - base type: string, max length: 25, (XPath: RAWDesAdvise/shipInfo/packages/packageN) 0-unbounded - note: <i>here the serial no.s of the packages can be identified</i>
packageQty	quantity of the specified transport packages - base type: positiveInteger, (XPath: RAWDesAdvise/shipInfo/packages/packageQty) 0-1 - note: <i>total for the type of package</i>
packageText	free text specifying the type of package used for transport and delivery - base type: string, max length: 40, (XPath: RAWDesAdvise/shipInfo/packages/packageText) 1-1
pcTolerance	percent deviation tolerated on the value of a measurement (it must have a plus or minus sign) - base type: decimal, min inclusive: 0, max inclusive: 100, total digits: 2, (XPath: RAWDesAdvise/RABody/RAitem/rawSpecs/pcTolerance) 0-2
person	name of the contact person within a Party - base type: string, max length: 40, (XPath: RAWDesAdvise/TAheader/supplier/person) 0-1 (XPath: RAWDesAdvise/TAheader/thirdParty/person) 0-1 (XPath: RAWDesAdvise/TAheader/buyer/person) 0-1
@phone	phone number of the contact person within a Party - base type: string, max length: 35, (XPath: RAWDesAdvise/TAheader/buyer/person/@phone) [Optional] (XPath: RAWDesAdvise/TAheader/thirdParty/person/@phone) [Optional] (XPath: RAWDesAdvise/TAheader/supplier/person/@phone) [Optional]
postCode	code defining the postal zone - base type: string, max length: 10, (XPath: RAWDesAdvise/TAheader/supplier/postCode) 0-1 (XPath: RAWDesAdvise/TAheader/buyer/postCode) 0-1 (XPath: RAWDesAdvise/TAheader/thirdParty/postCode) 0-1
qty	net quantity of the article or object correlated, qualified by the function of the document (ordering, delivering, ..) and by the context - base type: decimal, min inclusive: 0, fraction digits: 2, (XPath: RAWDesAdvise/RABody/RAitem/qty) 1-2
rawChar	physical or mechanical parameter used to define a characteristics of a raw material - base type: string, cod. table: T22, (XPath: RAWDesAdvise/RABody/RAitem/rawSpecs/rawChar) 1-1
rawCharText	free text describing the physical or mechanical parameter used to define a characteristics of a raw material - base type: string, max length: 40, (XPath: RAWDesAdvise/RABody/RAitem/rawSpecs/rawCharText) 1-1
@role	Third Party role qualifier - base type: string, cod. table: NT2, (XPath: RAWDesAdvise/TAheader/thirdParty/@role) [Required]
season	sale season; defined as: season (1 crt) + year (4 crt) - season: S/S=1 A/W=2 Spring=3 Summer=4 Autumn=5 Winter=6: for more than four seasons use alphabetic sequence: 1st season=A 2nd season=B etc.etc. - base type: string, max length: 15, (XPath: RAWDesAdvise/RABody/RAitem/refDoc/season) 0-1 - note: <i>here indicates the season to which the referenced document belongs</i> (XPath: RAWDesAdvise/TAheader/refDoc/season) 0-1 - note: <i>here indicates the season to which the referenced document belongs</i>

@sender	<p>qualifier that specifies the Party issuing of the document</p> <ul style="list-style-type: none"> - base type: boolean, (XPath: RAWDesAdvise/TAheader/buyer/@sender) [Optional] - nota: <i>This attribute is mandatory when the STYLESHEET must be produced</i> (XPath: RAWDesAdvise/TAheader/thirdParty/@sender) [Optional] - nota: <i>This attribute is mandatory when the STYLESHEET must be produced</i> (XPath: RAWDesAdvise/TAheader/supplier/@sender) [Optional] - nota: <i>This attribute is mandatory when the STYLESHEET must be produced</i>
specValue	<p>value requested for a characteristics or a parameter that can be measured</p> <ul style="list-style-type: none"> - base type: decimal, (XPath: RAWDesAdvise/RABody/RAitem/rawSpecs/specValue) 0-1
street	<p>street and building number identifying a location</p> <ul style="list-style-type: none"> - base type: string, max length: 80, (XPath: RAWDesAdvise/TAheader/buyer/street) 0-1 (XPath: RAWDesAdvise/TAheader/supplier/street) 0-1 (XPath: RAWDesAdvise/TAheader/thirdParty/street) 0-1
subCountry	<p>short name or code of the sub-country entity</p> <ul style="list-style-type: none"> - base type: string, max length: 9, (XPath: RAWDesAdvise/TAheader/thirdParty/subCountry) 0-1 (XPath: RAWDesAdvise/TAheader/supplier/subCountry) 0-1 (XPath: RAWDesAdvise/TAheader/buyer/subCountry) 0-1
@TAtype	<p>type of Despatch advise</p> <ul style="list-style-type: none"> - base type: string, cod. table: NT10, (XPath: RAWDesAdvise/@TAtype) [Optional] [Default= STD]
tolerance	<p>deviation tolerated on the value of a measurement (it must have a plus or minus sign)</p> <ul style="list-style-type: none"> - base type: decimal, (XPath: RAWDesAdvise/RABody/RAitem/rawSpecs/tolerance) 0-2
transCondition	<p>special condition of transport or special service requested to the Forwarder</p> <ul style="list-style-type: none"> - base type: string, cod. table: T38, (XPath: RAWDesAdvise/shipInfo/transInfo/transCondition) 0-3
transConditionText	<p>free text description of the special condition of transport or special service requested to the Forwarder</p> <ul style="list-style-type: none"> - base type: string, max length: 100, (XPath: RAWDesAdvise/shipInfo/transInfo/transConditionText) 0-1
transMeans	<p>means of transport, in general or referred to a specific leg</p> <ul style="list-style-type: none"> - base type: string, cod. table: T40, (XPath: RAWDesAdvise/shipInfo/transInfo/transMeans) 0-1
transMode	<p>way of transport, in general or referred to the specified leg</p> <ul style="list-style-type: none"> - base type: string, cod. table: T8, (XPath: RAWDesAdvise/shipInfo/transInfo/transMode) 1-1
@transReason	<p>reason for the transport</p> <ul style="list-style-type: none"> - base type: string, cod. table: NT11, (XPath: RAWDesAdvise/shipInfo/transInfo/@transReason) [Optional]
@um	<p>specification of the unit of measure</p> <ul style="list-style-type: none"> - base type: string, cod. table: NT7, (XPath: RAWDesAdvise/shipInfo/packages/packageDim/height/@um) [Required] (XPath: RAWDesAdvise/RABody/RAitem/rawSpecs/tolerance/@um) [Required] (XPath: RAWDesAdvise/shipInfo/packages/packageDim/length/@um) [Required] (XPath: RAWDesAdvise/RABody/RAitem/qty/@um) [Required] (XPath: RAWDesAdvise/RABody/RAitem/rawSpecs/specValue/@um) [Optional] (XPath: RAWDesAdvise/shipInfo/transInfo/netWeight/@um) [Required] (XPath: RAWDesAdvise/shipInfo/transInfo/grossWeight/@um) [Required]

	<p>(XPath: RAWDesAdvise/shipInfo/packages/packageDim/width/@um) [Required] (XPath: RAWDesAdvise/RABody/RAitem/rawSpecs/pcTolerance/@um) [Optional] - nota: <i>to be used when it has to be soecified if the declared percentage is by weight, volume, etc...</i></p>
@VAT	<p>VAT rate or code - base type: string, cod. table: NT16, (XPath: RAWDesAdvise/TAheader/thirdParty/@VAT) [Optional] (XPath: RAWDesAdvise/RABody/RAitem/lineN/@VAT) [Optional]</p>
width	<p>effective width of a specified object - base type: decimal, min inclusive: 0, fraction digits: 2, (XPath: RAWDesAdvise/shipInfo/packages/packageDim/width) 0-1</p>

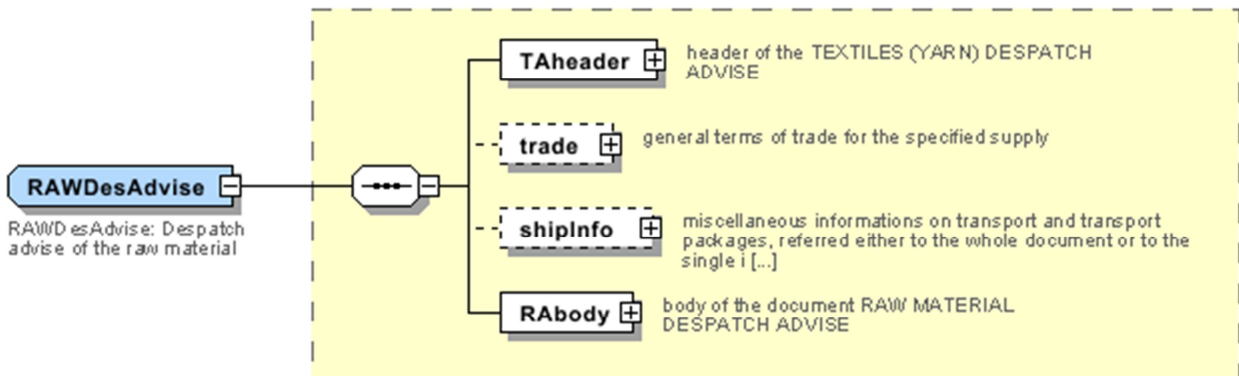
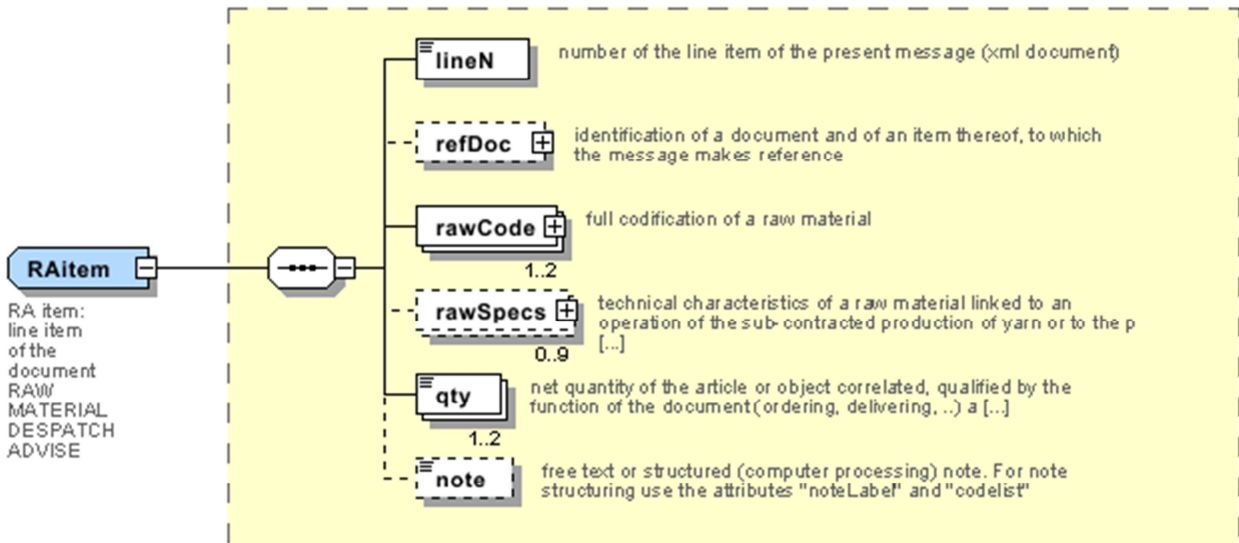
2.3 Enumeration tables

List of enumeration tables used in the XML document. You can find the corresponding codes (only for tables with less than 100 values) in the document `Decoding_Values.pdf`, available at: <http://www.moda-ml.org/moda-ml/repository/guide/v2011-1/>; moreover, all the enumeration tables are available at: <http://www.moda-ml.org/imple/show-codes.asp>.

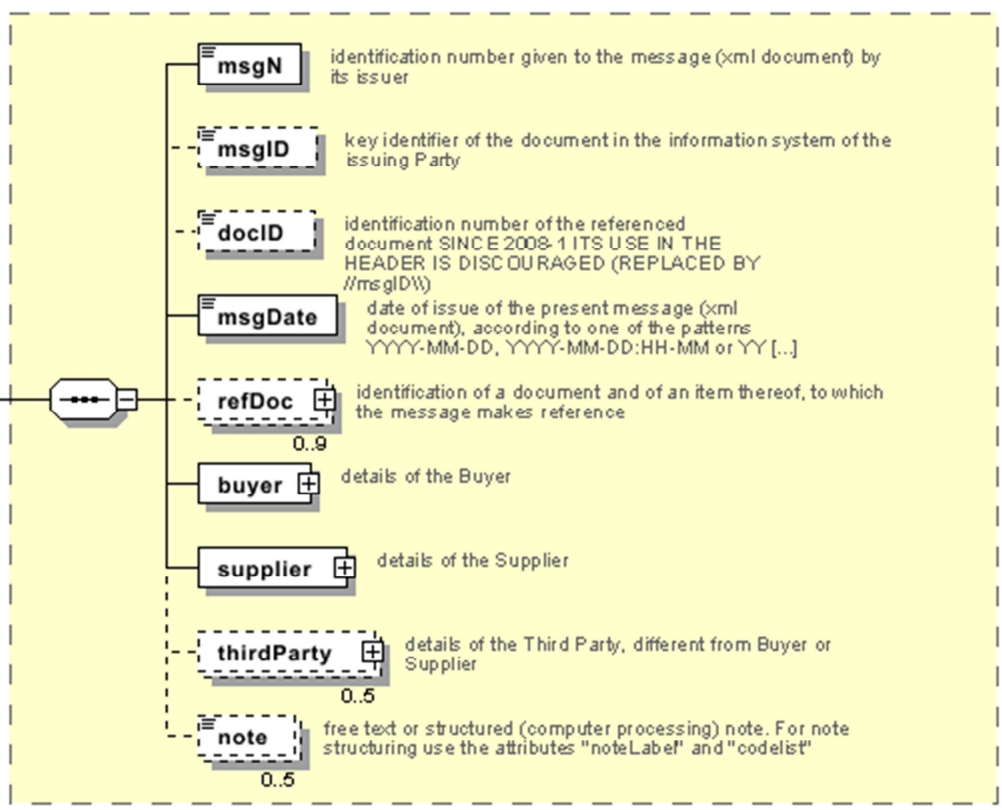
- NT10 - Despatch advise type
- NT11 - Transport causal
- NT16 - VAT rate or code
- NT18 - message function
- NT2 - Third party qualifier
- NT29 - format of a date
- NT3 - Data format
- NT6 - Coding system owner/issuer
- NT7 - Unity of measure
- T10 - ISO3166 - Country
- T11 - Transport package type
- T21 - type of document
- T22 - raw material characteristics type
- T3 - Terms of delivery
- T38 - transport conditions
- T40 - type of transport means
- T44 - additional code type
- T8 - Modes of Transport

Annex A

Representative images of the principal complex elements' structure.



TAheader
 TA header:
 header of
 the TEXTILES
 (YARN)
 DESPATCH
 ADVISE



trade
 Trade details:
 general terms of
 trade for the
 specified supply

