



<http://www.moda-ml.org>

IMPLEMENTATION GUIDE  
TRANSACTION "TEXTILE PRINTING ORDER  
CHANGE"

Version: 2013-1

Date of release: 30/07/2013

Document code: G077

XML Schema repository:<http://www.moda-ml.org/moda-ml/repository/schema/v2013-1/default.asp>

Guides repository:<http://www.moda-ml.org/moda-ml/repository/guide/v2013-1/default.asp>

Guide filename: G077-MODA-ML-TextilePrintingOrderChange.pdf

# 1. BUSINESS DESCRIPTION

## 1.1 Scope

The present guide has been issued to assist the companies of the Textile-Clothing sector in the implementation of the standard XML document type "TEXTILE PRINTING COMMISSION ORDER CHANGE", providing all the instruction required for its use in the context of e-commerce between Printing Subcontractors and their Customers shown in the enclosed diagram

All the rules required for the construction and validation of the document are embedded into the specific XML-Schema, which is detailed in section "Implementation guide".

## 1.2 Generalities

The Commissioner sends to the Subcontractor a Fabric printing Order Change any time he must modify some conditions of his previous Order (eg. to suspend operations already ordered) or amend errors.

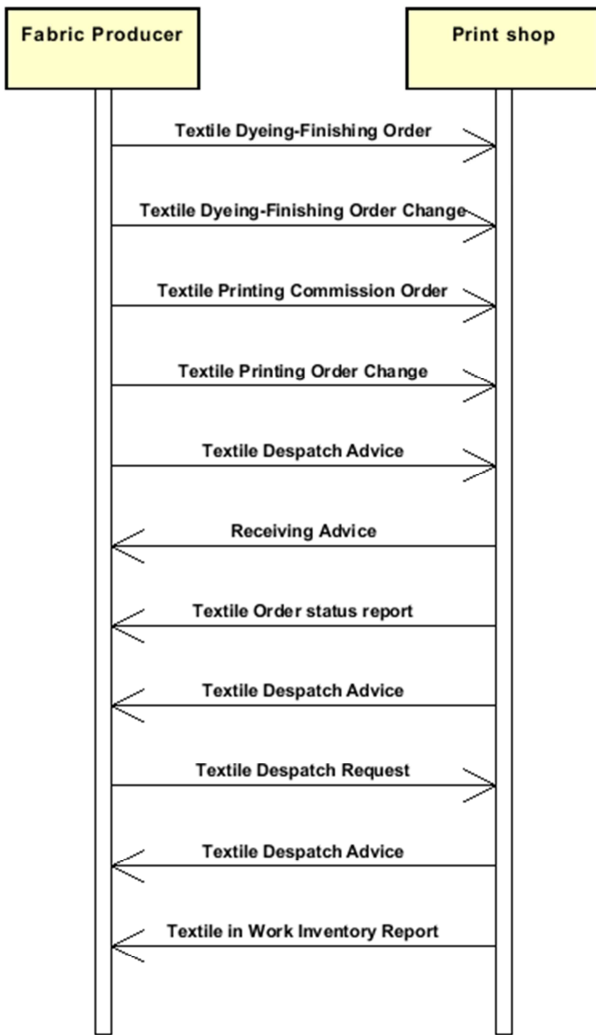
Basic function of the message is to replace an invalid Order with a valid Order, amending:

- suppliable quantities
- dates and places of delivery
- prices

The Order Change can show a number of lines different from the related Order, when variations/cancellations have occurred so as to create the splitting of an Order Line.

However the sum of the quantities of the lines in the Order Change (confirmed + varied + cancelled) must always equal the sum of the quantities in the original Order.

## 1.3. Possible scenario



## 2. IMPLEMENTATION GUIDE

### 2.1 General structure of XML document

All the business data that can be exchanged through this class of documents are shown in the following "document structure", that provides a simplified vision of the Schema.

In particular:

- the two numbers following each element define its "cardinality" (minimum and maximum number of occurrences); the minimum equal zero indicates that the element is optional, the minimum greater than zero indicates that is mandatory;
- the bold character denotes the complex elements (aggregates of simple elements) that were built for the sake of functionality and re-usability of some complex informations sets. The child elements in each parent element are easily spotted as "indented";
- the symbol "@" denotes an attribute of the preceding element; here "the usage indicator (optional, required, ...)" is shown in square brackets.

### Structure

#### **TEXPrintOrdChange**

*@msgfunction [Optional]*

*@version [Optional] [Default= 2013-1]*

*@useProfile [Optional]*

| **TPCXheader 1-1**

| | msgN 1-1

| | - choose -

| | docID 0-1

| | *@numberingOrg [Optional]*

| | - or -

| | msgID 0-1

| | - end choose -

| | msgDate 1-1

| | *@dateForm [Optional]*

| | season 0-1

| | msgCurrency 0-1

| | **refDoc 1-9**

| | *@docType [Required]*

| | | docID 1-2

| | | *@numberingOrg [Optional]*

| | | docDate 0-1

| | | *@dateForm [Optional]*

| | | season 0-1

| | | itemID 0-1

| | **buyer 1-1**

| | *@logo [Optional]*

| | *@sender [Optional]*

| | | id 1-1

| | | *@numberingOrg [Optional]*

| | | legalName 0-1

| | | dept 0-1

| | | person 0-1

| | | *@email [Optional]*

| | | *@phone [Optional]*

| | | *@fax [Optional]*

| | | street 0-1

| | | city 0-1

| | | subCountry 0-1

| | | country 0-1

- | | | postCode 0-1
- | | **subContractor 1-1**
- | | | @sender [Optional]
- | | | | id 1-1
- | | | | | @numberingOrg [Optional]
- | | | | legalName 0-1
- | | | | dept 0-1
- | | | | person 0-1
- | | | | | @email [Optional]
- | | | | | @phone [Optional]
- | | | | | @fax [Optional]
- | | | | street 0-1
- | | | | city 0-1
- | | | | subCountry 0-1
- | | | | country 0-1
- | | | | postCode 0-1
- | | **thirdParty 0-1**
- | | | @VAT [Optional]
- | | | @role [Required]
- | | | @sender [Optional]
- | | | | id 1-1
- | | | | | @numberingOrg [Optional]
- | | | | legalName 0-1
- | | | | dept 0-1
- | | | | person 0-1
- | | | | | @email [Optional]
- | | | | | @phone [Optional]
- | | | | | @fax [Optional]
- | | | | street 0-1
- | | | | city 0-1
- | | | | subCountry 0-1
- | | | | country 0-1
- | | | | postCode 0-1
- | | note 0-19
- | | | @numberingOrg [Optional]
- | | | @codeList [Optional]
- | | | @noteLabel [Optional]

| **terms 0-1**

- | | **payment 0-5**
- | | | @finDiscount [Optional]
- | | | @finSurcharge [Optional]
- | | | - choose -
- | | | | payTerm 1-1
- | | | | - or -
- | | | | payTermText 1-1
- | | | | - end choose -
- | | | | payMode 0-1
- | | **insPayment 0-5**
- | | | @part [Required]
- | | | - choose -
- | | | | payTerm 1-1
- | | | | - or -
- | | | | payTermText 1-1
- | | | | - end choose -
- | | | | payMode 0-1
- | | **trade 0-1**
- | | | - choose -
- | | | | incoTermText 1-1
- | | | | - or -
- | | | | incoTerm 1-1

- end choose -
- | location 0-1
- | @LRI [Optional]
- transInfo 0-1**
- | @transReason [Optional]
- | transMode 1-1
- | carrier 0-1
- | deliveryPlace 0-1
- | grossWeight 0-1
- | @um [Required]
- | netWeight 0-1
- | @um [Required]
- | transMeans 0-1
- | transCondition 0-3
- | transConditionText 0-1
- allowanceCharge 0-9**
- | @VAT [Optional]
- choose -
- | AC\_category 1-1
- or -
- | AC\_categoryText 1-1
- choose -
- | AC\_percent 1-1
- or -
- | AC\_amount 1-1
- end choose -
- | **dtScheme 0-1**
- | @taxType [Required]
- | taxCategory 0-1
- | taxRate 0-1
- | legalRef 0-1
- | @codeList [Required]
- | note 0-19
- | @numberingOrg [Optional]
- | @codeList [Optional]
- | @noteLabel [Optional]

**TPCXbody 1-1**

- TPCXitem 1-unbounded**
- | @act [Required]
- | @productLevel [Optional] [Default= END]
- | lineN 1-1
- | @VAT [Optional]
- refDoc 1-9**
- | @docType [Required]
- | docID 1-2
- | @numberingOrg [Optional]
- | docDate 0-1
- | @dateForm [Optional]
- | season 0-1
- | itemID 0-1
- fabricProd 0-1**
- | @CTest [Optional]
- | **texCode 1-1**
- | @numberingOrg [Optional]
- | art 1-1
- | @numberingOrg [Optional]
- | @codeList [Optional]
- | @listName [Optional]
- | @listVersion [Optional]
- | pattern 0-1

```

| | | | | @numberingOrg [Optional]
| | | | | @codeList [Optional]
| | | | | @listName [Optional]
| | | | | @listVersion [Optional]
| | | | | color 0-1
| | | | | @numberingOrg [Optional]
| | | | | @codeList [Optional]
| | | | | @listName [Optional]
| | | | | @listVersion [Optional]
| | | | | added 0-9
| | | | | @numberingOrg [Optional]
| | | | | @addType [Optional]
| | | | | description 0-1
| | | | | fabricCompos 0-1
| | | | | | percCompos 1-9
| | | | | | @fibre [Required]
| | | | | fabricWidth 0-1
| | | | | @um [Optional] [Default= CMT]
| | | | | fabricSpecs 0-99
| | | | | - choose -
| | | | | | fabricCharText 1-1
| | | | | - or -
| | | | | | fabricChar 1-1
| | | | | - end choose -
| | | | | | specValue 0-1
| | | | | | @um [Optional]
| | | | | | @source [Optional]
| | | | | | @method [Optional]
| | | | | | @application [Optional]
| | | | | | @CV [Optional]
| | | | | - choose -
| | | | | | tolerance 0-2
| | | | | | @um [Required]
| | | | | - or -
| | | | | | pcTolerance 0-2
| | | | | | @um [Optional]
| | | | | - end choose -
| | | | | - choose -
| | | | | | pieceChain 0-99
| | | | | | serialN 1-1
| | | | | | @numberingOrg [Optional]
| | | | | | pieceLength 0-1
| | | | | | @um [Optional] [Default= MTR]
| | | | | | pieceWidth 0-1
| | | | | | @um [Optional] [Default= CMT]
| | | | | | pieceWeight 0-1
| | | | | | @um [Optional] [Default= KGM]
| | | | | | lotN 0-1
| | | | | | @numberingOrg [Optional]
| | | | | | dyeN 0-1
| | | | | | @numberingOrg [Optional]
| | | | | | packageN 0-1
| | | | | | @numberingOrg [Optional]
| | | | | | @packageContainerN [Optional]
| | | | | | piecePack 0-1
| | | | | - choose -
| | | | | | piecePackText 1-1
| | | | | - or -
| | | | | | pieceInnWrap1 1-1
| | | | | | pieceInnWrap2 0-1
| | | | | | pieceOutWrap 0-1

```

```

- end choose -
| | | | | pieceCut 0-99
| | | | | serialN 1-1
| | | | | @numberingOrg [Optional]
| | | | | pieceLength 0-1
| | | | | @um [Optional] [Default= MTR]
| | | | | pieceWeight 0-1
| | | | | @um [Optional] [Default= KGM]
- or -
| | | | | piece 0-99
| | | | | @endUse [Optional]
| | | | | serialN 1-3
| | | | | @numberingOrg [Optional]
| | | | | EPC 0-1
| | | | | @numberingOrg [Optional]
| | | | | @TID [Optional]
| | | | | totFault 0-1
| | | | | pieceStatus 0-1
| | | | | pieceLength 0-1
| | | | | @um [Optional] [Default= MTR]
| | | | | pieceWidth 0-1
| | | | | @um [Optional] [Default= CMT]
| | | | | pieceCutWidth 0-1
| | | | | @um [Optional] [Default= CMT]
| | | | | pieceWeight 0-1
| | | | | @um [Optional] [Default= KGM]
| | | | | pieceWeightM 0-1
| | | | | @um [Optional] [Default= GRM]
| | | | | pieceAllow 0-1
| | | | | @um [Required]
| | | | | lotN 0-1
| | | | | @numberingOrg [Optional]
| | | | | dyeN 0-1
| | | | | @numberingOrg [Optional]
| | | | | mixMatch 0-1
| | | | | @numberingOrg [Optional]
| | | | | packageN 0-1
| | | | | @numberingOrg [Optional]
| | | | | @packageContainerN [Optional]
| | | | | piecePack 0-1
- choose -
| | | | | piecePackText 1-1
- or -
| | | | | pieceInnWrap1 1-1
| | | | | pieceInnWrap2 0-1
| | | | | pieceOutWrap 0-1
- end choose -
- end choose -
| | | | | note 0-19
| | | | | @numberingOrg [Optional]
| | | | | @codeList [Optional]
| | | | | @noteLabel [Optional]
| | | | | qty 0-3
| | | | | @um [Required]
| | | | | price 0-1
| | | | | @um [Optional]
| | | | | @priceQualifier [Optional] [Default= NET]
| | | | | deliveryDate 0-1
| | | | | @dateForm [Optional]
| | | | | thirdParty 0-1
| | | | | @VAT [Optional]

```



```

| | | @role [Required]
| | | @sender [Optional]
| | | id 1-1
| | | | @numberingOrg [Optional]
| | | legalName 0-1
| | | dept 0-1
| | | person 0-1
| | | | @email [Optional]
| | | | @phone [Optional]
| | | | @fax [Optional]
| | | street 0-1
| | | city 0-1
| | | subCountry 0-1
| | | country 0-1
| | | postCode 0-1
| | | fabricComponent 0-9
| | | | texCode 1-1
| | | | | @numberingOrg [Optional]
| | | | | art 1-1
| | | | | | @numberingOrg [Optional]
| | | | | | @codeList [Optional]
| | | | | | @listName [Optional]
| | | | | | @listVersion [Optional]
| | | | | pattern 0-1
| | | | | | @numberingOrg [Optional]
| | | | | | @codeList [Optional]
| | | | | | @listName [Optional]
| | | | | | @listVersion [Optional]
| | | | | color 0-1
| | | | | | @numberingOrg [Optional]
| | | | | | @codeList [Optional]
| | | | | | @listName [Optional]
| | | | | | @listVersion [Optional]
| | | | | added 0-9
| | | | | | @numberingOrg [Optional]
| | | | | | @addType [Optional]
| | | | | description 0-1
| | | qty 1-3
| | | | @um [Required]
| | | serialN 0-99
| | | | @numberingOrg [Optional]
| | | | refDoc 0-1
| | | | | @docType [Required]
| | | | | docID 1-2
| | | | | | @numberingOrg [Optional]
| | | | | docDate 0-1
| | | | | | @dateForm [Optional]
| | | | | season 0-1
| | | | | itemID 0-1
| | | location 0-1
| | | | @LRI [Optional]
| | | note 0-19
| | | | @numberingOrg [Optional]
| | | | @codeList [Optional]
| | | | @noteLabel [Optional]
| | | | fabPrintOperation 0-9
| | | | fabPrintTech 1-1
| | | | dyeStuff 0-1
| | | | | fabPrintSpecs 0-9
| | | | | - choose -
| | | | | | fabPrintCharText 1-1

```

```

- or -
| | | | fabPrintChar 1-1
- end choose -
| | | | specValue 0-1
| | | |   @um [Optional]
| | | |   @source [Optional]
| | | |   @method [Optional]
| | | |   @application [Optional]
| | | |   @CV [Optional]
| | | | groundColor 0-9
| | | |   @numberingOrg [Optional]
| | | |   @screenN [Required]
| | | | refDoc 0-1
| | | |   @docType [Required]
| | | |     docID 1-2
| | | |       @numberingOrg [Optional]
| | | |     docDate 0-1
| | | |       @dateForm [Optional]
| | | |     season 0-1
| | | |     itemID 0-1
| | | | note 0-19
| | | |   @numberingOrg [Optional]
| | | |   @codeList [Optional]
| | | |   @noteLabel [Optional]
| | | | dtScheme 0-1
| | | |   @taxType [Required]
| | | |     taxCategory 0-1
| | | |     taxRate 0-1
| | | |     legalRef 0-1
| | | |       @codeList [Required]
| | | |     note 0-19
| | | |       @numberingOrg [Optional]
| | | |       @codeList [Optional]
| | | |       @noteLabel [Optional]

```

## 2.2 Detailed description of document elements

Following tables show all elements (complex and simple) used in this document. Description includes: 1) element's information: xml tag, name, brief description, data type and syntax constraints; 2) information about use of the element in a particular position in the document: xpath and possible associated notes.

### 2.2.1 Complex elements (Aggregate Business Information Entities)

Complex elements are those elements whose content is composed of other elements (childs).Complex elements are alphabetically ordered.

<b>allowanceCharge</b>	Allowances and Charges related to an Order or a contract (XPath: <a href="#">TEXPrintOrdChange/terms/allowanceCharge</a> ) 0-9
<b>buyer</b>	details of the Buyer - base type: Nad, (XPath: <a href="#">TEXPrintOrdChange/TPCXheader/buyer</a> ) 1-1
<b>dtScheme</b>	set of data usable to declare the duty or tax applied (XPath: <a href="#">TEXPrintOrdChange/terms/allowanceCharge/dtScheme</a> ) 0-1 (XPath: <a href="#">TEXPrintOrdChange/TPCXbody/TPCXitem/dtScheme</a> ) 0-1
<b>fabPrintOperation</b>	details of a fabric printing operation (XPath: <a href="#">TEXPrintOrdChange/TPCXbody/TPCXitem/fabPrintOperation</a> ) 0-9
<b>fabPrintSpecs</b>	technical specifications of a fabric printing operation (XPath: <a href="#">TEXPrintOrdChange/TPCXbody/TPCXitem/fabPrintOperation/fabPrintSpecs</a> ) 0-9
<b>fabricComponent</b>	identification details of a fabric used in a sub-contracted manufacturing operation (XPath: <a href="#">TEXPrintOrdChange/TPCXbody/TPCXitem/fabricComponent</a> ) 0-9
<b>fabricCompos</b>	composition of the fabric according to the Directory 97/37/CE (XPath: <a href="#">TEXPrintOrdChange/TPCXbody/TPCXitem/fabricProd/fabricCompos</a> ) 0-1
<b>fabricProd</b>	manufacturing specifications of the product to be obtained from an operation of the sub-contracted production of fabric (XPath: <a href="#">TEXPrintOrdChange/TPCXbody/TPCXitem/fabricProd</a> ) 0-1
<b>fabricSpecs</b>	technical characteristics of fabric, linked either to an operation of subcontracted production or to the purchase (XPath: <a href="#">TEXPrintOrdChange/TPCXbody/TPCXitem/fabricProd/fabricSpecs</a> ) 0-99
<b>insPayment</b>	payment details for payment by installments (XPath: <a href="#">TEXPrintOrdChange/terms/insPayment</a> ) 0-5 - note: <i>excluded the case of offers, this set of data is alternative to payment set and must be iterated for each payment installment</i>
<b>payment</b>	payment details for payment all in one (XPath: <a href="#">TEXPrintOrdChange/terms/payment</a> ) 0-5 - note: <i>excluded the case of offers, this set of data is alternative to insPayment, it can be iterated to specify alternative terms of payment (e.g.: 60 days or 30 days with 3% discount)</i>
<b>piece</b>	Identification data and measurement of the fabric piece (XPath: <a href="#">TEXPrintOrdChange/TPCXbody/TPCXitem/fabricProd/piece</a> ) 0-99
<b>pieceChain</b>	identification data and measurements of a chain of pieces still to be cut (XPath: <a href="#">TEXPrintOrdChange/TPCXbody/TPCXitem/fabricProd/pieceChain</a> ) 0-99

<b>pieceCut</b>	identification data and measurements of a fabric piece belonging to a chain still to be cut (XPath: <code>TEXPrintOrdChange/TPCXbody/TPCXitem/fabricProd/pieceChain/pieceCut</code> ) 0-99 - note: <i>here the data of the pieces making up the chain should be specified</i>
<b>piecePack</b>	type of wrapping or packing of the fabric pieces (XPath: <code>TEXPrintOrdChange/TPCXbody/TPCXitem/fabricProd/piece/piecePack</code> ) 0-1 (XPath: <code>TEXPrintOrdChange/TPCXbody/TPCXitem/fabricProd/pieceChain/piecePack</code> ) 0-1
<b>refDoc</b>	identification of a document and of an item thereof, to which the message makes reference (XPath: <code>TEXPrintOrdChange/TPCXbody/TPCXitem/refDoc</code> ) 1-9 (XPath: <code>TEXPrintOrdChange/TPCXbody/TPCXitem/fabricComponent/refDoc</code> ) 0-1 - note: <i>here the delivery documents can be specified</i> (XPath: <code>TEXPrintOrdChange/TPCXheader/refDoc</code> ) 1-9 (XPath: <code>TEXPrintOrdChange/TPCXbody/TPCXitem/fabPrintOperation/refDoc</code> ) 0-1
<b>subContractor</b>	details of the Sub-contractor - base type: Nad, (XPath: <code>TEXPrintOrdChange/TPCXheader/subContractor</code> ) 1-1
<b>terms</b>	details of the commercial obligations for payment and delivery (XPath: <code>TEXPrintOrdChange/terms</code> ) 0-1
<b>texCode</b>	full codification of the textile product (XPath: <code>TEXPrintOrdChange/TPCXbody/TPCXitem/fabricComponent/texCode</code> ) 1-1 (XPath: <code>TEXPrintOrdChange/TPCXbody/TPCXitem/fabricProd/texCode</code> ) 1-1
<b>thirdParty</b>	details of the Third Party, different from Buyer or Supplier - base type: Nad, (XPath: <code>TEXPrintOrdChange/TPCXheader/thirdParty</code> ) 0-1 (XPath: <code>TEXPrintOrdChange/TPCXbody/TPCXitem/thirdParty</code> ) 0-1
<b>TPCXbody</b>	body of the document "TEXTILES PRINTING COMMISSION ORDER CHANGE" (XPath: <code>TEXPrintOrdChange/TPCXbody</code> ) 1-1
<b>TPCXheader</b>	header of the document "TEXTILES PRINTING COMMISSION ORDER CHANGE" (XPath: <code>TEXPrintOrdChange/TPCXheader</code> ) 1-1
<b>TPCXitem</b>	line item of the document "TEXTILES PRINTING COMMISSION ORDER CHANGE" (XPath: <code>TEXPrintOrdChange/TPCXbody/TPCXitem</code> ) 1-unbounded
<b>trade</b>	general terms of trade for the specified supply (XPath: <code>TEXPrintOrdChange/terms/trade</code> ) 0-1
<b>transInfo</b>	details of transport: mode, carrier and delivery place (XPath: <code>TEXPrintOrdChange/terms/transInfo</code> ) 0-1

## 2.2.2 Simple elements (Basic Business Information Entities)

Simple elements are those elements whose content is characterized by a data type plus a domain of possible values. Simple elements are alphabetically ordered.

AC_amount	amount of an Allowance or Charge
-----------	----------------------------------

	- base type: decimal, fraction digits: 2, (XPath: <a href="#">TEXPrintOrdChange/terms/allowanceCharge/AC_amount</a> ) 1-1
AC_category	coded specification of an Allowance or Charge - base type: string, cod. table: T41 <a href="http://www.moda-ml.net/moda-ml/repository/codelist/v2013-1/gc_T41.xml">http://www.moda-ml.net/moda-ml/repository/codelist/v2013-1/gc_T41.xml</a> (XPath: <a href="#">TEXPrintOrdChange/terms/allowanceCharge/AC_category</a> ) 1-1
AC_categoryText	free text description of an Allowance or Charge - base type: string, max length: 70, (XPath: <a href="#">TEXPrintOrdChange/terms/allowanceCharge/AC_categoryText</a> ) 1-1
AC_percent	amount of an Allowance or Charge as a percentage - base type: decimal, max inclusive: 100, fraction digits: 2, (XPath: <a href="#">TEXPrintOrdChange/terms/allowanceCharge/AC_percent</a> ) 1-1
@act	action performed by the present line upon the referenced document line - base type: string, cod. table: NT5 <a href="http://www.moda-ml.net/moda-ml/repository/codelist/v2013-1/gc_NT5.xml">http://www.moda-ml.net/moda-ml/repository/codelist/v2013-1/gc_NT5.xml</a> (XPath: <a href="#">TEXPrintOrdChange/TPCXbody/TPCXitem/@act</a> ) [Required]
added	additional code of the product (complementing the formers) - base type: string, max length: 15, (XPath: <a href="#">TEXPrintOrdChange/TPCXbody/TPCXitem/fabricProd/texCode/added</a> ) 0-9 - note: <i>here an additional codification (see table T44) can be specified</i> (XPath: <a href="#">TEXPrintOrdChange/TPCXbody/TPCXitem/fabricComponent/texCode/added</a> ) 0-9 - note: <i>here an additional codification (see table T44) can be specified</i>
@addType	qualifier of the additional coding of a product - base type: string, cod. table: T44 <a href="http://www.moda-ml.net/moda-ml/repository/codelist/v2013-1/gc_T44.xml">http://www.moda-ml.net/moda-ml/repository/codelist/v2013-1/gc_T44.xml</a> (XPath: <a href="#">TEXPrintOrdChange/TPCXbody/TPCXitem/fabricComponent/texCode/added/@addType</a> ) [Optional] (XPath: <a href="#">TEXPrintOrdChange/TPCXbody/TPCXitem/fabricProd/texCode/added/@addType</a> ) [Optional]
@application	force or similar condition (e.g. no. of revolutions) applied in a test as specified within the standard - base type: string, max length: 15, (XPath: <a href="#">TEXPrintOrdChange/TPCXbody/TPCXitem/fabricProd/fabricSpecs/specValue/@application</a> ) [Optional] (XPath: <a href="#">TEXPrintOrdChange/TPCXbody/TPCXitem/fabPrintOperation/fabPrintSpecs/specValue/@application</a> ) [Optional]
art	article number of the product - base type: string, max length: 25, (XPath: <a href="#">TEXPrintOrdChange/TPCXbody/TPCXitem/fabricComponent/texCode/art</a> ) 1-1 - note: <i>can be used either for the base-article (excluding pattern/colour) or for the SKU</i> (XPath: <a href="#">TEXPrintOrdChange/TPCXbody/TPCXitem/fabricProd/texCode/art</a> ) 1-1 - note: <i>can be used either for the base-article (excluding pattern/colour) or for the SKU</i>
carrier	identification of the transport carrier - base type: string, max length: 40, (XPath: <a href="#">TEXPrintOrdChange/terms/transInfo/carrier</a> ) 0-1
city	name of the city (town, village) - base type: string, max length: 40, (XPath: <a href="#">TEXPrintOrdChange/TPCXbody/TPCXitem/thirdParty/city</a> ) 0-1 (XPath: <a href="#">TEXPrintOrdChange/TPCXheader/thirdParty/city</a> ) 0-1 (XPath: <a href="#">TEXPrintOrdChange/TPCXheader/buyer/city</a> ) 0-1 (XPath: <a href="#">TEXPrintOrdChange/TPCXheader/subContractor/city</a> ) 0-1
@codeList	it specifies the URL where the list of codes used to make an instance of the element can be found

	<ul style="list-style-type: none"> <li>- base type: string, max length: 255, (XPath: <a href="#">TEXPrintOrdChange/TPCXbody/TPCXitem/fabricProd/note/@codeList</a>) [Optional]</li> <li>- nota: <i>must be used to provide (URL) the list of codes used in "noteLabel"</i> (XPath: <a href="#">TEXPrintOrdChange/TPCXbody/TPCXitem/fabricProd/texCode/art/@codeList</a>) [Optional]</li> <li>- nota: <i>this attribute should be ALTERNATIVE to the others</i> (XPath: <a href="#">TEXPrintOrdChange/TPCXbody/TPCXitem/fabricProd/texCode/color/@codeList</a>) [Optional]</li> <li>- nota: <i>this attribute should be ALTERNATIVE to the others</i> (XPath: <a href="#">TEXPrintOrdChange/TPCXbody/TPCXitem/fabPrintOperation/note/@codeList</a>) [Optional]</li> <li>- nota: <i>must be used to provide (URL) the list of codes used in "noteLabel"</i> (XPath: <a href="#">TEXPrintOrdChange/TPCXbody/TPCXitem/dtScheme/legalRef/@codeList</a>) [Required] (XPath: <a href="#">TEXPrintOrdChange/TPCXbody/TPCXitem/dtScheme/note/@codeList</a>) [Optional]</li> <li>- nota: <i>must be used to provide (URL) the list of codes used in "noteLabel"</i> (XPath: <a href="#">TEXPrintOrdChange/TPCXbody/TPCXitem/fabricComponent/note/@codeList</a>) [Optional]</li> <li>- nota: <i>must be used to provide (URL) the list of codes used in "noteLabel"</i> (XPath: <a href="#">TEXPrintOrdChange/terms/allowanceCharge/dtScheme/note/@codeList</a>) [Optional]</li> <li>- nota: <i>must be used to provide (URL) the list of codes used in "noteLabel"</i> (XPath: <a href="#">TEXPrintOrdChange/TPCXbody/TPCXitem/fabricComponent/texCode/color/@codeList</a>) [Optional]</li> <li>- nota: <i>this attribute should be ALTERNATIVE to the others</i> (XPath: <a href="#">TEXPrintOrdChange/TPCXbody/TPCXitem/fabricComponent/texCode/art/@codeList</a>) [Optional]</li> <li>- nota: <i>this attribute should be ALTERNATIVE to the others</i> (XPath: <a href="#">TEXPrintOrdChange/TPCXbody/TPCXitem/fabricProd/texCode/pattern/@codeList</a>) [Optional]</li> <li>- nota: <i>this attribute should be ALTERNATIVE to the others</i> (XPath: <a href="#">TEXPrintOrdChange/TPCXheader/note/@codeList</a>) [Optional]</li> <li>- nota: <i>must be used to provide (URL) the list of codes used in "noteLabel"</i> (XPath: <a href="#">TEXPrintOrdChange/terms/allowanceCharge/dtScheme/legalRef/@codeList</a>) [Required] (XPath: <a href="#">TEXPrintOrdChange/TPCXbody/TPCXitem/fabricComponent/texCode/pattern/@codeList</a>) [Optional]</li> <li>- nota: <i>this attribute should be ALTERNATIVE to the others</i></li> </ul>
color	<p>colour number of the product, when not included in the model or fabric code</p> <ul style="list-style-type: none"> <li>- base type: string, max length: 15, (XPath: <a href="#">TEXPrintOrdChange/TPCXbody/TPCXitem/fabricProd/texCode/color</a>) 0-1 (XPath: <a href="#">TEXPrintOrdChange/TPCXbody/TPCXitem/fabricComponent/texCode/color</a>) 0-1</li> </ul>
country	<p>code of the nation</p> <ul style="list-style-type: none"> <li>- base type: string, cod. table: T10 <a href="http://www.moda-ml.net/moda-ml/repository/codelist/v2013-1/gc_T10.xml">http://www.moda-ml.net/moda-ml/repository/codelist/v2013-1/gc_T10.xml</a> (XPath: <a href="#">TEXPrintOrdChange/TPCXheader/thirdParty/country</a>) 0-1 (XPath: <a href="#">TEXPrintOrdChange/TPCXheader/subContractor/country</a>) 0-1 (XPath: <a href="#">TEXPrintOrdChange/TPCXbody/TPCXitem/thirdParty/country</a>) 0-1 (XPath: <a href="#">TEXPrintOrdChange/TPCXheader/buyer/country</a>) 0-1</li> </ul>
@CTest	<p>indicates the need to execute a colour test before the operation</p> <ul style="list-style-type: none"> <li>- base type: string, cod. table: NT38 <a href="http://www.moda-ml.net/moda-ml/repository/codelist/v2013-1/gc_NT38.xml">http://www.moda-ml.net/moda-ml/repository/codelist/v2013-1/gc_NT38.xml</a> (XPath: <a href="#">TEXPrintOrdChange/TPCXbody/TPCXitem/fabricProd/@CTest</a>) [Optional]</li> </ul>
@CV	<p>coefficient of variation (CV) of a measurement</p> <ul style="list-style-type: none"> <li>- base type: decimal, (XPath: <a href="#">TEXPrintOrdChange/TPCXbody/TPCXitem/fabPrintOperation/fabPrintSpecs/specValue/@CV</a>) [Optional]</li> </ul>

	(XPath: <a href="#">TEXPrintOrdChange/TPCXbody/TPCXitem/fabricProd/fabricSpecs/specValue/@CV</a> ) [Optional]
@dateForm	<p>format used for the date</p> <p>- base type: string, cod. table: NT29  <a href="http://www.moda-ml.net/moda-ml/repository/codelist/v2013-1/gc_NT29.xml">http://www.moda-ml.net/moda-ml/repository/codelist/v2013-1/gc_NT29.xml</a></p> <p>(XPath: <a href="#">TEXPrintOrdChange/TPCXbody/TPCXitem/fabricComponent/refDoc/docDate/@dateForm</a>) [Optional]  (XPath: <a href="#">TEXPrintOrdChange/TPCXheader/refDoc/docDate/@dateForm</a>) [Optional]  (XPath: <a href="#">TEXPrintOrdChange/TPCXbody/TPCXitem/deliveryDate/@dateForm</a>) [Optional]  (XPath: <a href="#">TEXPrintOrdChange/TPCXheader/msgDate/@dateForm</a>) [Optional]  (XPath: <a href="#">TEXPrintOrdChange/TPCXbody/TPCXitem/fabPrintOperation/refDoc/docDate/@dateForm</a>) [Optional]  (XPath: <a href="#">TEXPrintOrdChange/TPCXbody/TPCXitem/refDoc/docDate/@dateForm</a>) [Optional]</p>
deliveryDate	<p>date of delivery of goods, requested or promised in the purchase process, according to one of the patterns YYYY-MM-DD, YYYY-MM-DD:HH-MM or YYYY-WW.</p> <p>- base type: string,  (XPath: <a href="#">TEXPrintOrdChange/TPCXbody/TPCXitem/deliveryDate</a>) 0-1</p>
deliveryPlace	<p>place of delivery of goods, ultimate or related to a given leg</p> <p>- base type: string, max length: 40,  (XPath: <a href="#">TEXPrintOrdChange/terms/transInfo/deliveryPlace</a>) 0-1</p>
dept	<p>name or code of a contact department within a Party</p> <p>- base type: string, max length: 40,  (XPath: <a href="#">TEXPrintOrdChange/TPCXbody/TPCXitem/thirdParty/dept</a>) 0-1  (XPath: <a href="#">TEXPrintOrdChange/TPCXheader/buyer/dept</a>) 0-1  (XPath: <a href="#">TEXPrintOrdChange/TPCXheader/subContractor/dept</a>) 0-1  (XPath: <a href="#">TEXPrintOrdChange/TPCXheader/thirdParty/dept</a>) 0-1</p>
description	<p>free text description of a product</p> <p>- base type: string, max length: 70,  (XPath: <a href="#">TEXPrintOrdChange/TPCXbody/TPCXitem/fabricProd/texCode/description</a>) 0-1  (XPath: <a href="#">TEXPrintOrdChange/TPCXbody/TPCXitem/fabricComponent/texCode/description</a>) 0-1</p>
docDate	<p>date of issue of the referenced document, according to one of the patterns YYYY-MM-DD, YYYY-MM-DD:HH-MM or YYYY-WW.</p> <p>- base type: string,  (XPath: <a href="#">TEXPrintOrdChange/TPCXbody/TPCXitem/fabPrintOperation/refDoc/docDate</a>) 0-1  (XPath: <a href="#">TEXPrintOrdChange/TPCXbody/TPCXitem/fabricComponent/refDoc/docDate</a>) 0-1  (XPath: <a href="#">TEXPrintOrdChange/TPCXheader/refDoc/docDate</a>) 0-1  (XPath: <a href="#">TEXPrintOrdChange/TPCXbody/TPCXitem/refDoc/docDate</a>) 0-1</p>
docID	<p>identification number of the referenced document SINCE 2008-1 ITS USE IN THE HEADER IS DISCOURAGED (REPLACED BY msgID)</p> <p>- base type: string, max length: 80,  (XPath: <a href="#">TEXPrintOrdChange/TPCXheader/refDoc/docID</a>) 1-2  (XPath: <a href="#">TEXPrintOrdChange/TPCXbody/TPCXitem/fabricComponent/refDoc/docID</a>) 1-2  (XPath: <a href="#">TEXPrintOrdChange/TPCXbody/TPCXitem/refDoc/docID</a>) 1-2  (XPath: <a href="#">TEXPrintOrdChange/TPCXbody/TPCXitem/fabPrintOperation/refDoc/docID</a>) 1-2  (XPath: <a href="#">TEXPrintOrdChange/TPCXheader/docID</a>) 0-1</p>
@docType	<p>type or class to which the referenced document belongs</p> <p>- base type: string, cod. table: T21  <a href="http://www.moda-ml.net/moda-ml/repository/codelist/v2013-1/gc_T21.xml">http://www.moda-ml.net/moda-ml/repository/codelist/v2013-1/gc_T21.xml</a></p> <p>(XPath: <a href="#">TEXPrintOrdChange/TPCXbody/TPCXitem/refDoc/@docType</a>) [Required]  (XPath: <a href="#">TEXPrintOrdChange/TPCXbody/TPCXitem/fabricComponent/refDoc/@docType</a>) [Required]  (XPath: <a href="#">TEXPrintOrdChange/TPCXheader/refDoc/@docType</a>) [Required]  (XPath: <a href="#">TEXPrintOrdChange/TPCXheader/refDoc/@docType</a>) [Required]</p>

	TEXPrintOrdChange/TPCXbody/TPCXitem/fabPrintOperation/refDoc/@docType) [Required]
dyeN	number of the dying batch of a textile product - base type: string, max length: 15, (XPath: TEXPrintOrdChange/TPCXbody/TPCXitem/fabricProd/piece/dyeN) 0-1 (XPath: TEXPrintOrdChange/TPCXbody/TPCXitem/fabricProd/pieceChain/dyeN) 0-1
dyeStuff	dye stuff used in the fabric dye process - base type: string, cod. table: T16 <a href="http://www.moda-ml.net/moda-ml/repository/codelist/v2013-1/gc_T16.xml">http://www.moda-ml.net/moda-ml/repository/codelist/v2013-1/gc_T16.xml</a> (XPath: TEXPrintOrdChange/TPCXbody/TPCXitem/fabPrintOperation/dyeStuff) 0-1
@email	electronic mail address of the contact person within a Party - base type: string, max length: 80, (XPath: TEXPrintOrdChange/TPCXheader/buyer/person/@email) [Optional] (XPath: TEXPrintOrdChange/TPCXheader/subContractor/person/@email) [Optional] (XPath: TEXPrintOrdChange/TPCXbody/TPCXitem/thirdParty/person/@email) [Optional] (XPath: TEXPrintOrdChange/TPCXheader/thirdParty/person/@email) [Optional]
@endUse	specifies the final use of the fabric - base type: string, cod. table: NT4 <a href="http://www.moda-ml.net/moda-ml/repository/codelist/v2013-1/gc_NT4.xml">http://www.moda-ml.net/moda-ml/repository/codelist/v2013-1/gc_NT4.xml</a> (XPath: TEXPrintOrdChange/TPCXbody/TPCXitem/fabricProd/piece/@endUse) [Optional]
EPC	identifier used for tracing a physical item with RFID technology - base type: string, (XPath: TEXPrintOrdChange/TPCXbody/TPCXitem/fabricProd/piece/EPC) 0-1
fabPrintChar	code specifying a characteristic or parameter of the fabric printing - base type: string, cod. table: T45 <a href="http://www.moda-ml.net/moda-ml/repository/codelist/v2013-1/gc_T45.xml">http://www.moda-ml.net/moda-ml/repository/codelist/v2013-1/gc_T45.xml</a> (XPath: TEXPrintOrdChange/TPCXbody/TPCXitem/fabPrintOperation/fabPrintSpecs/fabPrintChar) 1-1
fabPrintCharText	free text describing a characteristic or parameter of the fabric printing - base type: string, max length: 70, (XPath: TEXPrintOrdChange/TPCXbody/TPCXitem/fabPrintOperation/fabPrintSpecs/fabPrintCharText) 1-1
fabPrintTech	operation technology used for fabric printing - base type: string, cod. table: T264 <a href="http://www.moda-ml.net/moda-ml/repository/codelist/v2013-1/gc_T264.xml">http://www.moda-ml.net/moda-ml/repository/codelist/v2013-1/gc_T264.xml</a> (XPath: TEXPrintOrdChange/TPCXbody/TPCXitem/fabPrintOperation/fabPrintTech) 1-1
fabricChar	code of the physical or mechanical parameter used to define a "technical characteristic of the fabric" (see Fabric technical sheet) - base type: string, cod. table: T13 <a href="http://www.moda-ml.net/moda-ml/repository/codelist/v2013-1/gc_T13.xml">http://www.moda-ml.net/moda-ml/repository/codelist/v2013-1/gc_T13.xml</a> (XPath: TEXPrintOrdChange/TPCXbody/TPCXitem/fabricProd/fabricSpecs/fabricChar) 1-1
fabricCharText	free text describing the physical or mechanical parameter used to define a "technical characteristic of the fabric" - base type: string, max length: 40, (XPath: TEXPrintOrdChange/TPCXbody/TPCXitem/fabricProd/fabricSpecs/fabricCharText) 1-1
fabricWidth	width of the fabric as technical specification - base type: decimal, min inclusive: 0, fraction digits: 2, (XPath: TEXPrintOrdChange/TPCXbody/TPCXitem/fabricProd/fabricWidth) 0-1



@fax	<p>fax number of the contact person within a Party</p> <p>- base type: string, max length: 35,  (XPath: <a href="#">TEXPrintOrdChange/TPCXheader/subContractor/person/@fax</a>) [Optional]  (XPath: <a href="#">TEXPrintOrdChange/TPCXheader/thirdParty/person/@fax</a>) [Optional]  (XPath: <a href="#">TEXPrintOrdChange/TPCXheader/buyer/person/@fax</a>) [Optional]  (XPath: <a href="#">TEXPrintOrdChange/TPCXbody/TPCXitem/thirdParty/person/@fax</a>) [Optional]</p>
@fibre	<p>type of fibre used in a textile product</p> <p>- base type: string, cod. table: T19  <a href="http://www.moda-ml.net/moda-ml/repository/codelist/v2013-1/gc_T19.xml">http://www.moda-ml.net/moda-ml/repository/codelist/v2013-1/gc_T19.xml</a>  (XPath: <a href="#">TEXPrintOrdChange/TPCXbody/TPCXitem/fabricProd/fabricCompos/percCompos/@fibre</a>) [Required]</p>
@finDiscount	<p>financial discount applied for payment by the date specified</p> <p>- base type: decimal, min inclusive: 0, max inclusive: 100, fraction digits: 2,  (XPath: <a href="#">TEXPrintOrdChange/terms/payment/@finDiscount</a>) [Optional]</p>
@finSurcharge	<p>financial surcharge applied for payment after the date specified</p> <p>- base type: decimal, min inclusive: 0, max inclusive: 100, fraction digits: 2,  (XPath: <a href="#">TEXPrintOrdChange/terms/payment/@finSurcharge</a>) [Optional]</p>
grossWeight	<p>the gross weight of the overall goods supply, declared for transport or customs purpose</p> <p>- base type: decimal, min inclusive: 0, fraction digits: 2,  (XPath: <a href="#">TEXPrintOrdChange/terms/transInfo/grossWeight</a>) 0-1</p>
groundColor	<p>ground colour related to a printing screen</p> <p>- base type: string, max length: 15,  (XPath: <a href="#">TEXPrintOrdChange/TPCXbody/TPCXitem/fabPrintOperation/groundColor</a>) 0-9</p>
id	<p>primary identification code of a Party; it is recommended the format: nation code (ISO 3166) + VAT identification number (11 crt), with the qualifier "numberingOrg"= MF</p> <p>- base type: string, max length: 15,  (XPath: <a href="#">TEXPrintOrdChange/TPCXheader/buyer/id</a>) 1-1  (XPath: <a href="#">TEXPrintOrdChange/TPCXheader/thirdParty/id</a>) 1-1  (XPath: <a href="#">TEXPrintOrdChange/TPCXheader/subContractor/id</a>) 1-1  (XPath: <a href="#">TEXPrintOrdChange/TPCXbody/TPCXitem/thirdParty/id</a>) 1-1</p>
incoTerm	<p>specification of the terms of trade (INCOTERMS)</p> <p>- base type: string, cod. table: T3  <a href="http://www.moda-ml.net/moda-ml/repository/codelist/v2013-1/gc_T3.xml">http://www.moda-ml.net/moda-ml/repository/codelist/v2013-1/gc_T3.xml</a>  (XPath: <a href="#">TEXPrintOrdChange/terms/trade/incoTerm</a>) 1-1</p>
incoTermText	<p>free text specifying the terms of trade (incoterm, location)</p> <p>- base type: string, max length: 70,  (XPath: <a href="#">TEXPrintOrdChange/terms/trade/incoTermText</a>) 1-1</p>
itemID	<p>number of the line/item of the referenced document</p> <p>- base type: string, max length: 6,  (XPath: <a href="#">TEXPrintOrdChange/TPCXbody/TPCXitem/fabPrintOperation/refDoc/itemID</a>) 0-1  (XPath: <a href="#">TEXPrintOrdChange/TPCXheader/refDoc/itemID</a>) 0-1  (XPath: <a href="#">TEXPrintOrdChange/TPCXbody/TPCXitem/fabricComponent/refDoc/itemID</a>) 0-1  (XPath: <a href="#">TEXPrintOrdChange/TPCXbody/TPCXitem/refDoc/itemID</a>) 0-1</p>
legalName	<p>legal name of a Party</p> <p>- base type: string, max length: 80,  (XPath: <a href="#">TEXPrintOrdChange/TPCXheader/thirdParty/legalName</a>) 0-1  (XPath: <a href="#">TEXPrintOrdChange/TPCXheader/subContractor/legalName</a>) 0-1  (XPath: <a href="#">TEXPrintOrdChange/TPCXheader/buyer/legalName</a>) 0-1  (XPath: <a href="#">TEXPrintOrdChange/TPCXbody/TPCXitem/thirdParty/legalName</a>) 0-1</p>
legalRef	<p>legal reference of the duty or tax or fee category</p> <p>- base type: string,  (XPath: <a href="#">TEXPrintOrdChange/terms/allowanceCharge/dtScheme/legalRef</a>) 0-1</p>

	(XPath: <code>TEXPrintOrdChange/TPCXbody/TPCXitem/dtScheme/legalRef</code> ) 0-1
lineN	number of the line item of the present message (xml document) - base type: positiveInteger, min inclusive: 1, max inclusive: 9999, (XPath: <code>TEXPrintOrdChange/TPCXbody/TPCXitem/lineN</code> ) 1-1
@listName	it specifies the name of the list of codes used to make an instance of the element - base type: string, max length: 40, (XPath: <code>TEXPrintOrdChange/TPCXbody/TPCXitem/fabricComponent/texCode/pattern/@listName</code> ) [Optional] - nota: <i>this attribute should always be used coupled with "numberingOrg"</i> (XPath: <code>TEXPrintOrdChange/TPCXbody/TPCXitem/fabricProd/texCode/color/@listName</code> ) [Optional] - nota: <i>this attribute should always be used coupled with "numberingOrg"</i> (XPath: <code>TEXPrintOrdChange/TPCXbody/TPCXitem/fabricComponent/texCode/color/@listName</code> ) [Optional] - nota: <i>this attribute should always be used coupled with "numberingOrg"</i> (XPath: <code>TEXPrintOrdChange/TPCXbody/TPCXitem/fabricProd/texCode/pattern/@listName</code> ) [Optional] - nota: <i>this attribute should always be used coupled with "numberingOrg"</i> (XPath: <code>TEXPrintOrdChange/TPCXbody/TPCXitem/fabricComponent/texCode/art/@listName</code> ) [Optional] - nota: <i>this attribute should always be used coupled with "numberingOrg"</i> (XPath: <code>TEXPrintOrdChange/TPCXbody/TPCXitem/fabricProd/texCode/art/@listName</code> ) [Optional] - nota: <i>this attribute should always be used coupled with "numberingOrg"</i>
@listVersion	it specify the version of the list of codes used to make an instance of the element - base type: string, max length: 6, (XPath: <code>TEXPrintOrdChange/TPCXbody/TPCXitem/fabricProd/texCode/art/@listVersion</code> ) [Optional] - nota: <i>this attribute should always be used coupled with "numberingOrg" and "listName"</i> (XPath: <code>TEXPrintOrdChange/TPCXbody/TPCXitem/fabricComponent/texCode/pattern/@listVersion</code> ) [Optional] - nota: <i>this attribute should always be used coupled with "numberingOrg" and "listName"</i> (XPath: <code>TEXPrintOrdChange/TPCXbody/TPCXitem/fabricComponent/texCode/color/@listVersion</code> ) [Optional] - nota: <i>this attribute should always be used coupled with "numberingOrg" and "listName"</i> (XPath: <code>TEXPrintOrdChange/TPCXbody/TPCXitem/fabricProd/texCode/pattern/@listVersion</code> ) [Optional] - nota: <i>this attribute should always be used coupled with "numberingOrg" and "listName"</i> (XPath: <code>TEXPrintOrdChange/TPCXbody/TPCXitem/fabricComponent/texCode/art/@listVersion</code> ) [Optional] - nota: <i>this attribute should always be used coupled with "numberingOrg" and "listName"</i> (XPath: <code>TEXPrintOrdChange/TPCXbody/TPCXitem/fabricProd/texCode/color/@listVersion</code> ) [Optional] - nota: <i>this attribute should always be used coupled with "numberingOrg" and "listName"</i>
location	specification of a location - base type: string, max length: 40, (XPath: <code>TEXPrintOrdChange/terms/trade/location</code> ) 0-1 - note: <i>place to which the INCOTERM applies</i> (XPath: <code>TEXPrintOrdChange/TPCXbody/TPCXitem/fabricComponent/location</code> ) 0-1 - note: <i>it may be used to specify the location where lie the pieces that the Subcontractor must use for the commisioned work operation</i>
@logo	company logo (URL of the image jpeg or gif). It is recommended that the width of the image does not exceed 640 pixel. - base type: string, max length: 255, (XPath: <code>TEXPrintOrdChange/TPCXheader/buyer/@logo</code> ) [Optional]
lotN	lot number of a product or batch number of the raw material

	<p>- base type: string, max length: 15,  (XPath: <a href="#">TEXPrintOrdChange/TPCXbody/TPCXitem/fabricProd/piece/lotN</a>) 0-1  (XPath: <a href="#">TEXPrintOrdChange/TPCXbody/TPCXitem/fabricProd/pieceChain/lotN</a>) 0-1</p>
@LRI	<p>attribute usable to format a string according to a customized User rule (local rule)  - base type: string, cod. table: NT3  <a href="http://www.moda-ml.net/moda-ml/repository/codelist/v2013-1/gc_NT3.xml">http://www.moda-ml.net/moda-ml/repository/codelist/v2013-1/gc_NT3.xml</a>  (XPath: <a href="#">TEXPrintOrdChange/terms/trade/location/@LRI</a>) [Optional]  (XPath: <a href="#">TEXPrintOrdChange/TPCXbody/TPCXitem/fabricComponent/location/@LRI</a>) [Optional]</p>
@method	<p>standard protocol or method employed in a test to evaluate a characteristic or a parameter  - base type: string, max length: 25,  (XPath: <a href="#">TEXPrintOrdChange/TPCXbody/TPCXitem/fabricProd/fabricSpecs/specValue/@method</a>) [Optional]  (XPath: <a href="#">TEXPrintOrdChange/TPCXbody/TPCXitem/fabPrintOperation/fabPrintSpecs/specValue/@method</a>) [Optional]</p>
mixMatch	<p>colour hue used for the match of garments  - base type: string, max length: 15,  (XPath: <a href="#">TEXPrintOrdChange/TPCXbody/TPCXitem/fabricProd/piece/mixMatch</a>) 0-1</p>
msgCurrency	<p>currency used to express the monetary amounts of the message  - base type: string, cod. table: T9  <a href="http://www.moda-ml.net/moda-ml/repository/codelist/v2013-1/gc_T9.xml">http://www.moda-ml.net/moda-ml/repository/codelist/v2013-1/gc_T9.xml</a>  (XPath: <a href="#">TEXPrintOrdChange/TPCXheader/msgCurrency</a>) 0-1</p>
msgDate	<p>date of issue of the present message (xml document), according to one of the patterns YYYY-MM-DD, YYYY-MM-DD:HH-MM or YYYY-WW.  - base type: string,  (XPath: <a href="#">TEXPrintOrdChange/TPCXheader/msgDate</a>) 1-1</p>
@msgfunction	<p>function performed by the present message with regards to the transmission  - base type: string, cod. table: NT18  <a href="http://www.moda-ml.net/moda-ml/repository/codelist/v2013-1/gc_NT18.xml">http://www.moda-ml.net/moda-ml/repository/codelist/v2013-1/gc_NT18.xml</a>  (XPath: <a href="#">TEXPrintOrdChange/@msgfunction</a>) [Optional]</p>
msgID	<p>key identifier of the document in the information system of the issuing Party  - base type: string, max length: 35,  (XPath: <a href="#">TEXPrintOrdChange/TPCXheader/msgID</a>) 0-1</p>
msgN	<p>identification number given to the message (xml document) by its issuer  - base type: string, max length: 35,  (XPath: <a href="#">TEXPrintOrdChange/TPCXheader/msgN</a>) 1-1</p>
netWeight	<p>the net weight of the overall goods supply, declared for transport or customs purpose  - base type: decimal, min inclusive: 0, fraction digits: 2,  (XPath: <a href="#">TEXPrintOrdChange/terms/transInfo/netWeight</a>) 0-1</p>
note	<p>free text or structured (computer processing) note. For note structuring use the attributes "noteLabel" and "codelist"  - base type: string, max length: 350,  (XPath: <a href="#">TEXPrintOrdChange/TPCXbody/TPCXitem/fabricProd/note</a>) 0-19  (XPath: <a href="#">TEXPrintOrdChange/TPCXbody/TPCXitem/fabPrintOperation/note</a>) 0-19  (XPath: <a href="#">TEXPrintOrdChange/TPCXheader/note</a>) 0-19  (XPath: <a href="#">TEXPrintOrdChange/terms/allowanceCharge/dtScheme/note</a>) 0-19  (XPath: <a href="#">TEXPrintOrdChange/TPCXbody/TPCXitem/fabricComponent/note</a>) 0-19  (XPath: <a href="#">TEXPrintOrdChange/TPCXbody/TPCXitem/dtScheme/note</a>) 0-19</p>
@noteLabel	<p>subject qualifier of a note  - base type: string, max length: 35,</p>

	<p>(XPath: <code>TEXPrintOrdChange/TPCXbody/TPCXitem/dtScheme/note/@noteLabel</code>) [Optional]  - nota: <i>must be used to qualify the subject of the note</i>  (XPath: <code>TEXPrintOrdChange/TPCXbody/TPCXitem/fabPrintOperation/note/@noteLabel</code>) [Optional]  - nota: <i>must be used to qualify the subject of the note</i>  (XPath: <code>TEXPrintOrdChange/TPCXbody/TPCXitem/fabricComponent/note/@noteLabel</code>) [Optional]  - nota: <i>must be used to qualify the subject of the note</i>  (XPath: <code>TEXPrintOrdChange/TPCXheader/note/@noteLabel</code>) [Optional]  - nota: <i>must be used to qualify the subject of the note</i>  (XPath: <code>TEXPrintOrdChange/terms/allowanceCharge/dtScheme/note/@noteLabel</code>) [Optional]  - nota: <i>must be used to qualify the subject of the note</i>  (XPath: <code>TEXPrintOrdChange/TPCXbody/TPCXitem/fabricProd/note/@noteLabel</code>) [Optional]  - nota: <i>must be used to qualify the subject of the note</i></p>
<p>@numberingOrg</p>	<p>code specifying the organisation who has created or owns the coding or numbering system  - base type: string, cod. table: NT6  <a href="http://www.moda-ml.net/moda-ml/repository/codelist/v2013-1/gc_NT6.xml">http://www.moda-ml.net/moda-ml/repository/codelist/v2013-1/gc_NT6.xml</a>  (XPath: <code>TEXPrintOrdChange/TPCXheader/subContractor/id/@numberingOrg</code>) [Optional]  (XPath: <code>TEXPrintOrdChange/TPCXbody/TPCXitem/fabricProd/texCode/art/@numberingOrg</code>) [Optional]  - nota: <i>this attribute should be used either single or coupled with "listName" and "listVersion"</i>  (XPath: <code>TEXPrintOrdChange/TPCXbody/TPCXitem/fabPrintOperation/refDoc/docID/@numberingOrg</code>) [Optional]  - nota: <i>here can be specified whose document numbering is used (e.g.: Client, Supplier, ..)</i>  (XPath: <code>TEXPrintOrdChange/TPCXbody/TPCXitem/fabricComponent/texCode/@numberingOrg</code>) [Optional]  (XPath: <code>TEXPrintOrdChange/TPCXbody/TPCXitem/fabricProd/texCode/pattern/@numberingOrg</code>) [Optional]  - nota: <i>this attribute should be used either single or coupled with "listName" and "listVersion"</i>  (XPath: <code>TEXPrintOrdChange/TPCXbody/TPCXitem/fabricProd/texCode/color/@numberingOrg</code>) [Optional]  - nota: <i>this attribute should be used either single or coupled with "listName" and "listVersion"</i>  (XPath: <code>TEXPrintOrdChange/TPCXbody/TPCXitem/fabricProd/piece/EPC/@numberingOrg</code>) [Optional]  (XPath: <code>TEXPrintOrdChange/TPCXbody/TPCXitem/fabricComponent/texCode/art/@numberingOrg</code>) [Optional]  - nota: <i>this attribute should be used either single or coupled with "listName" and "listVersion"</i>  (XPath: <code>TEXPrintOrdChange/TPCXbody/TPCXitem/fabricComponent/texCode/pattern/@numberingOrg</code>) [Optional]  - nota: <i>this attribute should be used either single or coupled with "listName" and "listVersion"</i>  (XPath: <code>TEXPrintOrdChange/terms/allowanceCharge/dtScheme/note/@numberingOrg</code>) [Optional]  (XPath: <code>TEXPrintOrdChange/TPCXbody/TPCXitem/thirdParty/id/@numberingOrg</code>) [Optional]  (XPath: <code>TEXPrintOrdChange/TPCXbody/TPCXitem/refDoc/docID/@numberingOrg</code>) [Optional]  - nota: <i>here can be specified whose document numbering is used (e.g.: Client, Supplier, ..)</i>  (XPath: <code>TEXPrintOrdChange/TPCXbody/TPCXitem/fabPrintOperation/groundColor/@numberingOrg</code>) [Optional]  (XPath: <code>TEXPrintOrdChange/TPCXbody/TPCXitem/dtScheme/note/@numberingOrg</code>) [Optional]  (XPath: <code>TEXPrintOrdChange/TPCXbody/TPCXitem/fabricProd/note/@numberingOrg</code>) [Optional]  (XPath: <code>TEXPrintOrdChange/TPCXbody/TPCXitem/fabricProd/piece/packageN/@numberingOrg</code>) [Optional]  (XPath: <code>TEXPrintOrdChange/TPCXheader/thirdParty/id/@numberingOrg</code>) [Optional]  (XPath: <code>TEXPrintOrdChange/TPCXbody/TPCXitem/fabricProd/piece/lotN/@numberingOrg</code>) [Optional]  (XPath: <code>TEXPrintOrdChange/TPCXbody/TPCXitem/fabricProd/texCode/@numberingOrg</code>) [Optional]  (XPath: <code>TEXPrintOrdChange/TPCXbody/TPCXitem/fabricProd</code>)</p>

	<p>piece/mixMatch/@numberingOrg) [Optional]  (XPath: TEXPrintOrdChange/TPCXheader/docID/@numberingOrg) [Optional]  - nota: <i>here can be specified whose document numbering is used (e.g.: Client, Supplier, ..)</i>  (XPath: TEXPrintOrdChange/TPCXbody/TPCXitem/fabricProd/  piece/dyeN/@numberingOrg) [Optional]  (XPath: TEXPrintOrdChange/TPCXbody/TPCXitem/fabricProd/  piece/serialN/@numberingOrg) [Optional]  - nota: <i>here the issuer of the serial number must be specified (when different from the Supplier)</i>  (XPath: TEXPrintOrdChange/TPCXbody/TPCXitem/fabricProd/  pieceChain/packageN/@numberingOrg) [Optional]  (XPath: TEXPrintOrdChange/TPCXbody/TPCXitem/fabricProd/  pieceChain/dyeN/@numberingOrg) [Optional]  (XPath: TEXPrintOrdChange/TPCXheader/refDoc/docID/@numberingOrg) [Optional]  - nota: <i>here can be specified whose document numbering is used (e.g.: Client, Supplier, ..)</i>  (XPath:  TEXPrintOrdChange/TPCXbody/TPCXitem/fabricComponent/texCode/added/@numberingOrg)  [Optional]  (XPath: TEXPrintOrdChange/TPCXheader/buyer/id/@numberingOrg) [Optional]  (XPath:  TEXPrintOrdChange/TPCXbody/TPCXitem/fabricComponent/serialN/@numberingOrg) [Optional]  - nota: <i>here the issuer of the serial number must be specified (when different from the Supplier)</i>  (XPath: TEXPrintOrdChange/TPCXbody/TPCXitem/fabricProd/  pieceChain/serialN/@numberingOrg) [Optional]  - nota: <i>here the issuer of the serial number must be specified (when different from the Supplier)</i>  (XPath:  TEXPrintOrdChange/TPCXbody/TPCXitem/fabPrintOperation/note/@numberingOrg) [Optional]  (XPath: TEXPrintOrdChange/TPCXbody/TPCXitem/fabricProd/  pieceChain/lotN/@numberingOrg) [Optional]  (XPath:  TEXPrintOrdChange/TPCXbody/TPCXitem/fabricComponent/refDoc/docID/@numberingOrg)  [Optional]  - nota: <i>here can be specified whose document numbering is used (e.g.: Client, Supplier, ..)</i>  (XPath:  TEXPrintOrdChange/TPCXbody/TPCXitem/fabricComponent/texCode/color/@numberingOrg)  [Optional]  - nota: <i>this attribute should be used either single or coupled with "listName" and "listVersion"</i>  (XPath: TEXPrintOrdChange/TPCXbody/TPCXitem/fabricProd/  pieceChain/pieceCut/serialN/@numberingOrg) [Optional]  - nota: <i>here the issuer of the serial number must be specified (when different from the Supplier)</i>  (XPath: TEXPrintOrdChange/TPCXheader/note/@numberingOrg) [Optional]  (XPath: TEXPrintOrdChange/TPCXbody/TPCXitem/fabricProd/  texCode/added/@numberingOrg) [Optional]  (XPath:  TEXPrintOrdChange/TPCXbody/TPCXitem/fabricComponent/note/@numberingOrg) [Optional]</p>
@packageContainerN	<p>reference usable to indicate the outer package containing this package  - base type: string, max length: 25,  (XPath: TEXPrintOrdChange/TPCXbody/TPCXitem/fabricProd/  pieceChain/packageN/@packageContainerN) [Optional]  (XPath: TEXPrintOrdChange/TPCXbody/TPCXitem/fabricProd/  piece/packageN/@packageContainerN) [Optional]</p>
packageN	<p>serial number used to identify a transport package  - base type: string, max length: 25,  (XPath: TEXPrintOrdChange/TPCXbody/TPCXitem/fabricProd/  piece/packageN) 0-1  - nota: <i>here the transport package containing the piece can be identified</i>  (XPath: TEXPrintOrdChange/TPCXbody/TPCXitem/fabricProd/  pieceChain/packageN) 0-1</p>
@part	<p>percent fraction of a total payment  - base type: decimal, min inclusive: 1, max inclusive: 99, fraction digits: 2,  (XPath: TEXPrintOrdChange/terms/insPayment/@part) [Required]  - nota: <i>here the % value of each installment must be indicated</i></p>

pattern	<p>pattern/design number of the product, when not included in the article code</p> <p>- base type: string, max length: 15,</p> <p>(XPath: <a href="#">TEXPrintOrdChange/TPCXbody/TPCXitem/fabricComponent/texCode/pattern</a>) 0-1</p> <p>(XPath: <a href="#">TEXPrintOrdChange/TPCXbody/TPCXitem/fabricProd/texCode/pattern</a>) 0-1</p>
payMode	<p>way or means of payment</p> <p>- base type: string, cod. table: T2</p> <p><a href="http://www.moda-ml.net/moda-ml/repository/codelist/v2013-1/gc_T2.xml">http://www.moda-ml.net/moda-ml/repository/codelist/v2013-1/gc_T2.xml</a></p> <p>(XPath: <a href="#">TEXPrintOrdChange/terms/payment/payMode</a>) 0-1</p> <p>(XPath: <a href="#">TEXPrintOrdChange/terms/insPayment/payMode</a>) 0-1</p>
payTerm	<p>code specifying the terms or time by which the payment must be done</p> <p>- base type: string, cod. table: T1</p> <p><a href="http://www.moda-ml.net/moda-ml/repository/codelist/v2013-1/gc_T1.xml">http://www.moda-ml.net/moda-ml/repository/codelist/v2013-1/gc_T1.xml</a></p> <p>(XPath: <a href="#">TEXPrintOrdChange/terms/payment/payTerm</a>) 1-1</p> <p>(XPath: <a href="#">TEXPrintOrdChange/terms/insPayment/payTerm</a>) 1-1</p>
payTermText	<p>free text specifying the terms by which the payment must be done (time/mode or means)</p> <p>- base type: string, max length: 40,</p> <p>(XPath: <a href="#">TEXPrintOrdChange/terms/insPayment/payTermText</a>) 1-1</p> <p>(XPath: <a href="#">TEXPrintOrdChange/terms/payment/payTermText</a>) 1-1</p>
pcTolerance	<p>percent deviation tolerated on the value of a measurement (it must have a plus or minus sign)</p> <p>- base type: decimal, min inclusive: 0, max inclusive: 100, total digits: 2,</p> <p>(XPath: <a href="#">TEXPrintOrdChange/TPCXbody/TPCXitem/fabricProd/fabricSpecs/pcTolerance</a>) 0-2</p>
percCompos	<p>fiber rate in the product composition</p> <p>- base type: decimal, min inclusive: 0, max inclusive: 100, fraction digits: 2,</p> <p>(XPath: <a href="#">TEXPrintOrdChange/TPCXbody/TPCXitem/fabricProd/fabricCompos/percCompos</a>) 1-9</p>
person	<p>name of the contact person within a Party</p> <p>- base type: string, max length: 40,</p> <p>(XPath: <a href="#">TEXPrintOrdChange/TPCXheader/buyer/person</a>) 0-1</p> <p>(XPath: <a href="#">TEXPrintOrdChange/TPCXheader/subContractor/person</a>) 0-1</p> <p>(XPath: <a href="#">TEXPrintOrdChange/TPCXheader/thirdParty/person</a>) 0-1</p> <p>(XPath: <a href="#">TEXPrintOrdChange/TPCXbody/TPCXitem/thirdParty/person</a>) 0-1</p>
@phone	<p>phone number of the contact person within a Party</p> <p>- base type: string, max length: 35,</p> <p>(XPath: <a href="#">TEXPrintOrdChange/TPCXheader/buyer/person/@phone</a>) [Optional]</p> <p>(XPath: <a href="#">TEXPrintOrdChange/TPCXbody/TPCXitem/thirdParty/person/@phone</a>) [Optional]</p> <p>(XPath: <a href="#">TEXPrintOrdChange/TPCXheader/subContractor/person/@phone</a>) [Optional]</p> <p>(XPath: <a href="#">TEXPrintOrdChange/TPCXheader/thirdParty/person/@phone</a>) [Optional]</p>
pieceAllow	<p>allowance required or accorded for the piece</p> <p>- base type: decimal, fraction digits: 2,</p> <p>(XPath: <a href="#">TEXPrintOrdChange/TPCXbody/TPCXitem/fabricProd/piece/pieceAllow</a>) 0-1</p>
pieceCutWidth	<p>effective usable width of the fabric piece (for garment manufacturing)</p> <p>- base type: decimal, min inclusive: 0, fraction digits: 2,</p> <p>(XPath: <a href="#">TEXPrintOrdChange/TPCXbody/TPCXitem/fabricProd/piece/pieceCutWidth</a>) 0-1</p>
pieceInnWrap1	<p>code specifying the type of inner wrapping/packing used for the fabric piece</p> <p>- base type: string, cod. table: T4</p> <p><a href="http://www.moda-ml.net/moda-ml/repository/codelist/v2013-1/gc_T4.xml">http://www.moda-ml.net/moda-ml/repository/codelist/v2013-1/gc_T4.xml</a></p> <p>(XPath: <a href="#">TEXPrintOrdChange/TPCXbody/TPCXitem/fabricProd/pieceChain/piecePack/pieceInnWrap1</a>) 1-1</p> <p>(XPath: <a href="#">TEXPrintOrdChange/TPCXbody/TPCXitem/fabricProd/piece/piecePack/pieceInnWrap1</a>) 1-1</p>

pieceInnWrap2	code sub-specifying the type of inner wrapping/packing used for the fabric piece - base type: string, cod. table: T5 <a href="http://www.moda-ml.net/moda-ml/repository/codelist/v2013-1/gc_T5.xml">http://www.moda-ml.net/moda-ml/repository/codelist/v2013-1/gc_T5.xml</a> (XPath: <a href="#">TEXPrintOrdChange/TPCXbody/TPCXitem/fabricProd/pieceChain/piecePack/pieceInnWrap2</a> ) 0-1 (XPath: <a href="#">TEXPrintOrdChange/TPCXbody/TPCXitem/fabricProd/piece/piecePack/pieceInnWrap2</a> ) 0-1
pieceLength	length of the piece - base type: decimal, min inclusive: 0, fraction digits: 2, (XPath: <a href="#">TEXPrintOrdChange/TPCXbody/TPCXitem/fabricProd/pieceChain/pieceCut/pieceLength</a> ) 0-1 (XPath: <a href="#">TEXPrintOrdChange/TPCXbody/TPCXitem/fabricProd/pieceChain/pieceLength</a> ) 0-1 (XPath: <a href="#">TEXPrintOrdChange/TPCXbody/TPCXitem/fabricProd/piece/pieceLength</a> ) 0-1
pieceOutWrap	code specifying the type of outer wrapping or packing used for the fabric piece - base type: string, cod. table: T6 <a href="http://www.moda-ml.net/moda-ml/repository/codelist/v2013-1/gc_T6.xml">http://www.moda-ml.net/moda-ml/repository/codelist/v2013-1/gc_T6.xml</a> (XPath: <a href="#">TEXPrintOrdChange/TPCXbody/TPCXitem/fabricProd/pieceChain/piecePack/pieceOutWrap</a> ) 0-1 (XPath: <a href="#">TEXPrintOrdChange/TPCXbody/TPCXitem/fabricProd/piece/piecePack/pieceOutWrap</a> ) 0-1
piecePackText	free text specifying the type of wrapping or packing used for the fabric piece - base type: string, max length: 40, (XPath: <a href="#">TEXPrintOrdChange/TPCXbody/TPCXitem/fabricProd/piece/piecePack/piecePackText</a> ) 1-1 (XPath: <a href="#">TEXPrintOrdChange/TPCXbody/TPCXitem/fabricProd/pieceChain/piecePack/piecePackText</a> ) 1-1
pieceStatus	code used to describe the status of a fabric piece after the control - base type: string, cod. table: T52 <a href="http://www.moda-ml.net/moda-ml/repository/codelist/v2013-1/gc_T52.xml">http://www.moda-ml.net/moda-ml/repository/codelist/v2013-1/gc_T52.xml</a> (XPath: <a href="#">TEXPrintOrdChange/TPCXbody/TPCXitem/fabricProd/piece/pieceStatus</a> ) 0-1
pieceWeight	effective total weight of the fabric piece - base type: decimal, min inclusive: 0, fraction digits: 2, (XPath: <a href="#">TEXPrintOrdChange/TPCXbody/TPCXitem/fabricProd/pieceChain/pieceCut/pieceWeight</a> ) 0-1 (XPath: <a href="#">TEXPrintOrdChange/TPCXbody/TPCXitem/fabricProd/pieceChain/pieceWeight</a> ) 0-1 (XPath: <a href="#">TEXPrintOrdChange/TPCXbody/TPCXitem/fabricProd/piece/pieceWeight</a> ) 0-1
pieceWeightM	effective weight per metre of the fabric piece - base type: decimal, min inclusive: 0, fraction digits: 2, (XPath: <a href="#">TEXPrintOrdChange/TPCXbody/TPCXitem/fabricProd/piece/pieceWeightM</a> ) 0-1
pieceWidth	effective width of the fabric piece - base type: decimal, min inclusive: 0, fraction digits: 2, (XPath: <a href="#">TEXPrintOrdChange/TPCXbody/TPCXitem/fabricProd/piece/pieceWidth</a> ) 0-1 (XPath: <a href="#">TEXPrintOrdChange/TPCXbody/TPCXitem/fabricProd/pieceChain/pieceWidth</a> ) 0-1
postCode	code defining the postal zone - base type: string, max length: 10, (XPath: <a href="#">TEXPrintOrdChange/TPCXbody/TPCXitem/thirdParty/postCode</a> ) 0-1 (XPath: <a href="#">TEXPrintOrdChange/TPCXheader/subContractor/postCode</a> ) 0-1 (XPath: <a href="#">TEXPrintOrdChange/TPCXheader/buyer/postCode</a> ) 0-1 (XPath: <a href="#">TEXPrintOrdChange/TPCXheader/thirdParty/postCode</a> ) 0-1

price	unit price of the article, object or service specified - base type: decimal, min inclusive: 0, fraction digits: 2, (XPath: <a href="#">TEXPrintOrdChange/TPCXbody/TPCXitem/price</a> ) 0-1
@priceQualifier	type of price with reference to discount and taxes - base type: string, cod. table: NT20 <a href="http://www.moda-ml.net/moda-ml/repository/codelist/v2013-1/gc_NT20.xml">http://www.moda-ml.net/moda-ml/repository/codelist/v2013-1/gc_NT20.xml</a> (XPath: <a href="#">TEXPrintOrdChange/TPCXbody/TPCXitem/price/@priceQualifier</a> ) [Optional] [Default= NET]
@productLevel	level of the product (end or intermediate) yielded by an operation in a work cycle - base type: string, cod. table: NT22 <a href="http://www.moda-ml.net/moda-ml/repository/codelist/v2013-1/gc_NT22.xml">http://www.moda-ml.net/moda-ml/repository/codelist/v2013-1/gc_NT22.xml</a> (XPath: <a href="#">TEXPrintOrdChange/TPCXbody/TPCXitem/@productLevel</a> ) [Optional] [Default= END] - nota: <i>this qualifier "intermediate" must be used when the product is also a component in an other line of the same Commission Order</i>
qty	net quantity of the article or object correlated, qualified by the function of the document (ordering, delivering, ..) and by the context - base type: decimal, min inclusive: 0, fraction digits: 2, (XPath: <a href="#">TEXPrintOrdChange/TPCXbody/TPCXitem/qty</a> ) 0-3 (XPath: <a href="#">TEXPrintOrdChange/TPCXbody/TPCXitem/fabricComponent/qty</a> ) 1-3 - note: <i>here is the code of the component used in the yarn manufacturing operation</i>
@role	Third Party role qualifier - base type: string, cod. table: NT2 <a href="http://www.moda-ml.net/moda-ml/repository/codelist/v2013-1/gc_NT2.xml">http://www.moda-ml.net/moda-ml/repository/codelist/v2013-1/gc_NT2.xml</a> (XPath: <a href="#">TEXPrintOrdChange/TPCXbody/TPCXitem/thirdParty/@role</a> ) [Required] (XPath: <a href="#">TEXPrintOrdChange/TPCXheader/thirdParty/@role</a> ) [Required]
@screenN	identification number of a printing screen - base type: positiveInteger, (XPath: <a href="#">TEXPrintOrdChange/TPCXbody/TPCXitem/fabPrintOperation/groundColor/@screenN</a> ) [Required]
season	sale season; defined as: season (1 crt) + year (4 crt) - season: S/S=1 A/W=2 Spring=3 Summer=4 Autumn=5 Winter=6: for more than four seasons use alphabetic sequence: 1st season=A 2nd season=B etc.etc. - base type: string, max length: 15, (XPath: <a href="#">TEXPrintOrdChange/TPCXbody/TPCXitem/fabricComponent/refDoc/season</a> ) 0-1 - note: <i>here indicates the season to which the referenced document belongs</i> (XPath: <a href="#">TEXPrintOrdChange/TPCXheader/refDoc/season</a> ) 0-1 - note: <i>here indicates the season to which the referenced document belongs</i> (XPath: <a href="#">TEXPrintOrdChange/TPCXbody/TPCXitem/refDoc/season</a> ) 0-1 - note: <i>here indicates the season to which the referenced document belongs</i> (XPath: <a href="#">TEXPrintOrdChange/TPCXheader/season</a> ) 0-1 (XPath: <a href="#">TEXPrintOrdChange/TPCXbody/TPCXitem/fabPrintOperation/refDoc/season</a> ) 0-1 - note: <i>here indicates the season to which the referenced document belongs</i>
@sender	qualifier that specifies the Party issuing of the document - base type: boolean, (XPath: <a href="#">TEXPrintOrdChange/TPCXbody/TPCXitem/thirdParty/@sender</a> ) [Optional] - nota: <i>This attribute is mandatory when the STYLESHEET must be produced</i> (XPath: <a href="#">TEXPrintOrdChange/TPCXheader/subContractor/@sender</a> ) [Optional] - nota: <i>This attribute is mandatory when the STYLESHEET must be produced</i> (XPath: <a href="#">TEXPrintOrdChange/TPCXheader/thirdParty/@sender</a> ) [Optional] - nota: <i>This attribute is mandatory when the STYLESHEET must be produced</i> (XPath: <a href="#">TEXPrintOrdChange/TPCXheader/buyer/@sender</a> ) [Optional] - nota: <i>This attribute is mandatory when the STYLESHEET must be produced</i>
serialN	serial number used for the identification of a physical unit - base type: string, max length: 15, (XPath: <a href="#">TEXPrintOrdChange/TPCXbody/TPCXitem/fabricComponent/serialN</a> ) 0-99



	<p>- note: <i>it may be used to identify the pieces/chains that the Subcontractor must use for the commissioned work</i></p> <p>(XPath: <a href="#">TEXPrintOrdChange/TPCXbody/TPCXitem/fabricProd/piece/serialN</a>) 1-3</p> <p>(XPath: <a href="#">TEXPrintOrdChange/TPCXbody/TPCXitem/fabricProd/pieceChain/pieceCut/serialN</a>) 1-1</p> <p>(XPath: <a href="#">TEXPrintOrdChange/TPCXbody/TPCXitem/fabricProd/pieceChain/serialN</a>) 1-1</p>
@source	<p>party who has provided the data</p> <p>- base type: string, cod. table: NT12</p> <p><a href="http://www.moda-ml.net/moda-ml/repository/codelist/v2013-1/gc_NT12.xml">http://www.moda-ml.net/moda-ml/repository/codelist/v2013-1/gc_NT12.xml</a></p> <p>(XPath: <a href="#">TEXPrintOrdChange/TPCXbody/TPCXitem/fabricProd/fabricSpecs/specValue/@source</a>) [Optional]</p> <p>(XPath: <a href="#">TEXPrintOrdChange/TPCXbody/TPCXitem/fabPrintOperation/fabPrintSpecs/specValue/@source</a>) [Optional]</p>
specValue	<p>value requested for a property or a parameter that is measured</p> <p>- base type: decimal,</p> <p>(XPath: <a href="#">TEXPrintOrdChange/TPCXbody/TPCXitem/fabPrintOperation/fabPrintSpecs/specValue</a>) 0-1</p> <p>(XPath: <a href="#">TEXPrintOrdChange/TPCXbody/TPCXitem/fabricProd/fabricSpecs/specValue</a>) 0-1</p>
street	<p>street and building number identifying a location</p> <p>- base type: string, max length: 80,</p> <p>(XPath: <a href="#">TEXPrintOrdChange/TPCXbody/TPCXitem/thirdParty/street</a>) 0-1</p> <p>(XPath: <a href="#">TEXPrintOrdChange/TPCXheader/subContractor/street</a>) 0-1</p> <p>(XPath: <a href="#">TEXPrintOrdChange/TPCXheader/thirdParty/street</a>) 0-1</p> <p>(XPath: <a href="#">TEXPrintOrdChange/TPCXheader/buyer/street</a>) 0-1</p>
subCountry	<p>short name or code of the sub-country entity</p> <p>- base type: string, max length: 9,</p> <p>(XPath: <a href="#">TEXPrintOrdChange/TPCXheader/subContractor/subCountry</a>) 0-1</p> <p>(XPath: <a href="#">TEXPrintOrdChange/TPCXheader/buyer/subCountry</a>) 0-1</p> <p>(XPath: <a href="#">TEXPrintOrdChange/TPCXheader/thirdParty/subCountry</a>) 0-1</p> <p>(XPath: <a href="#">TEXPrintOrdChange/TPCXbody/TPCXitem/thirdParty/subCountry</a>) 0-1</p>
taxCategory	<p>duty or tax or fee category</p> <p>- base type: string, cod. table: T62</p> <p><a href="http://www.moda-ml.net/moda-ml/repository/codelist/v2013-1/gc_T62.xml">http://www.moda-ml.net/moda-ml/repository/codelist/v2013-1/gc_T62.xml</a></p> <p>(XPath: <a href="#">TEXPrintOrdChange/terms/allowanceCharge/dtScheme/taxCategory</a>) 0-1</p> <p>(XPath: <a href="#">TEXPrintOrdChange/TPCXbody/TPCXitem/dtScheme/taxCategory</a>) 0-1</p>
taxRate	<p>duty or tax or fee percent rate</p> <p>- base type: string,</p> <p>(XPath: <a href="#">TEXPrintOrdChange/terms/allowanceCharge/dtScheme/taxRate</a>) 0-1</p> <p>(XPath: <a href="#">TEXPrintOrdChange/TPCXbody/TPCXitem/dtScheme/taxRate</a>) 0-1</p>
@taxType	<p>duty or tax or fee type</p> <p>- base type: string, cod. table: T61</p> <p><a href="http://www.moda-ml.net/moda-ml/repository/codelist/v2013-1/gc_T61.xml">http://www.moda-ml.net/moda-ml/repository/codelist/v2013-1/gc_T61.xml</a></p> <p>(XPath: <a href="#">TEXPrintOrdChange/terms/allowanceCharge/dtScheme/@taxType</a>) [Required]</p> <p>(XPath: <a href="#">TEXPrintOrdChange/TPCXbody/TPCXitem/dtScheme/@taxType</a>) [Required]</p>
@TID	<p>serial number wired into the RFID chip</p> <p>- base type: string,</p> <p>(XPath: <a href="#">TEXPrintOrdChange/TPCXbody/TPCXitem/fabricProd/piece/EPC/@TID</a>) [Optional]</p>
tolerance	<p>deviation tolerated on the value of a measurement (it must have a plus or minus sign)</p> <p>- base type: decimal,</p> <p>(XPath: <a href="#">TEXPrintOrdChange/TPCXbody/TPCXitem/fabricProd/fabricSpecs/tolerance</a>) 0-2</p>
totFault	<p>total number of faults: the 1st/2nd digit count the "Large faults", the 3rd/4th the "Medium faults" and</p>

	<p>the 5th/6th the "Small faults"</p> <p>- base type: positiveInteger, (XPath: <a href="#">TEXPrintOrdChange/TPCXbody/TPCXitem/fabricProd/piece/totFault</a>) 0-1</p>
transCondition	<p>special condition of transport or special service requested to the Forwarder</p> <p>- base type: string, cod. table: T38 <a href="http://www.moda-ml.net/moda-ml/repository/codelist/v2013-1/gc_T38.xml">http://www.moda-ml.net/moda-ml/repository/codelist/v2013-1/gc_T38.xml</a> (XPath: <a href="#">TEXPrintOrdChange/terms/transInfo/transCondition</a>) 0-3</p>
transConditionText	<p>free text description of the special condition of transport or special service requested to the Forwarder</p> <p>- base type: string, max length: 100, (XPath: <a href="#">TEXPrintOrdChange/terms/transInfo/transConditionText</a>) 0-1</p>
transMeans	<p>means of transport, in general or referred to a specific leg</p> <p>- base type: string, cod. table: T40 <a href="http://www.moda-ml.net/moda-ml/repository/codelist/v2013-1/gc_T40.xml">http://www.moda-ml.net/moda-ml/repository/codelist/v2013-1/gc_T40.xml</a> (XPath: <a href="#">TEXPrintOrdChange/terms/transInfo/transMeans</a>) 0-1</p>
transMode	<p>way of transport, in general or referred to the specified leg</p> <p>- base type: string, cod. table: T8 <a href="http://www.moda-ml.net/moda-ml/repository/codelist/v2013-1/gc_T8.xml">http://www.moda-ml.net/moda-ml/repository/codelist/v2013-1/gc_T8.xml</a> (XPath: <a href="#">TEXPrintOrdChange/terms/transInfo/transMode</a>) 1-1</p>
@transReason	<p>reason for the transport</p> <p>- base type: string, cod. table: NT11 <a href="http://www.moda-ml.net/moda-ml/repository/codelist/v2013-1/gc_NT11.xml">http://www.moda-ml.net/moda-ml/repository/codelist/v2013-1/gc_NT11.xml</a> (XPath: <a href="#">TEXPrintOrdChange/terms/transInfo/@transReason</a>) [Optional]</p>
@um	<p>specification of the unit of measure</p> <p>- base type: string, cod. table: NT7 <a href="http://www.moda-ml.net/moda-ml/repository/codelist/v2013-1/gc_NT7.xml">http://www.moda-ml.net/moda-ml/repository/codelist/v2013-1/gc_NT7.xml</a></p> <p>(XPath: <a href="#">TEXPrintOrdChange/TPCXbody/TPCXitem/fabricProd/pieceChain/pieceWidth/@um</a>) [Optional] [Default= CMT] (XPath: <a href="#">TEXPrintOrdChange/TPCXbody/TPCXitem/fabricProd/pieceChain/pieceLength/@um</a>) [Optional] [Default= MTR] (XPath: <a href="#">TEXPrintOrdChange/TPCXbody/TPCXitem/fabricProd/pieceChain/pieceWeight/@um</a>) [Optional] [Default= KGM] (XPath: <a href="#">TEXPrintOrdChange/TPCXbody/TPCXitem/fabricProd/pieceChain/pieceCut/pieceWeight/@um</a>) [Optional] [Default= KGM] (XPath: <a href="#">TEXPrintOrdChange/TPCXbody/TPCXitem/fabricProd/pieceChain/pieceCut/pieceLength/@um</a>) [Optional] [Default= MTR] (XPath: <a href="#">TEXPrintOrdChange/TPCXbody/TPCXitem/fabricProd/fabricSpecs/pcTolerance/@um</a>) [Optional]</p> <p>- nota: <i>to be used when it has to be soecified if the declared percentage is by weight, volume, etc.</i> (XPath: <a href="#">TEXPrintOrdChange/terms/transInfo/netWeight/@um</a>) [Required] (XPath: <a href="#">TEXPrintOrdChange/terms/transInfo/grossWeight/@um</a>) [Required] (XPath: <a href="#">TEXPrintOrdChange/TPCXbody/TPCXitem/fabricProd/fabricWidth/@um</a>) [Optional] [Default= CMT] (XPath: <a href="#">TEXPrintOrdChange/TPCXbody/TPCXitem/fabricProd/fabricSpecs/tolerance/@um</a>) [Required] (XPath: <a href="#">TEXPrintOrdChange/TPCXbody/TPCXitem/fabricProd/fabricSpecs/specValue/@um</a>) [Optional] (XPath: <a href="#">TEXPrintOrdChange/TPCXbody/TPCXitem/qty/@um</a>) [Required] (XPath: <a href="#">TEXPrintOrdChange/TPCXbody/TPCXitem/fabricProd/piece/pieceAllow/@um</a>) [Required] (XPath: <a href="#">TEXPrintOrdChange/TPCXbody/TPCXitem/price/@um</a>) [Optional]</p> <p>- nota: <i>Unit of measure of the product to which the price is referred (price per meter)</i> (XPath: <a href="#">TEXPrintOrdChange/TPCXbody/TPCXitem/fabPrintOperation/fabPrintSpecs/specValue/@um</a>) [Optional] (XPath: <a href="#">TEXPrintOrdChange/TPCXbody/TPCXitem/fabricComponent/qty/@um</a>) [Required] (XPath: <a href="#">TEXPrintOrdChange/TPCXbody/TPCXitem/fabricProd/piece/pieceWidth/@um</a>) [Optional] [Default= CMT]</p>

	<p>(XPath: <code>TEXPrintOrdChange/TPCXbody/TPCXitem/fabricProd/piece/pieceLength/@um</code>) [Optional] [Default= MTR]</p> <p>(XPath: <code>TEXPrintOrdChange/TPCXbody/TPCXitem/fabricProd/piece/pieceCutWidth/@um</code>) [Optional] [Default= CMT]</p> <p>(XPath: <code>TEXPrintOrdChange/TPCXbody/TPCXitem/fabricProd/piece/pieceWeightM/@um</code>) [Optional] [Default= GRM]</p> <p>(XPath: <code>TEXPrintOrdChange/TPCXbody/TPCXitem/fabricProd/piece/pieceWeight/@um</code>) [Optional] [Default= KGM]</p>
<code>@useProfile</code>	<p>use profile to which the present document is compliant if it was agreed by the parties. It is suggested a URI with reference to the firms or the URL of the profile.</p> <p>- base type: string,</p> <p>(XPath: <code>TEXPrintOrdChange/@useProfile</code>) [Optional]</p>
<code>@VAT</code>	<p>VAT rate or code ( deprecated, use dtScheme element )</p> <p>- base type: string, cod. table: NT16</p> <p><a href="http://www.moda-ml.net/moda-ml/repository/codelist/v2013-1/gc_NT16.xml">http://www.moda-ml.net/moda-ml/repository/codelist/v2013-1/gc_NT16.xml</a></p> <p>(XPath: <code>TEXPrintOrdChange/TPCXheader/thirdParty/@VAT</code>) [Optional]</p> <p>(XPath: <code>TEXPrintOrdChange/TPCXbody/TPCXitem/thirdParty/@VAT</code>) [Optional]</p> <p>(XPath: <code>TEXPrintOrdChange/TPCXbody/TPCXitem/lineN/@VAT</code>) [Optional]</p> <p>(XPath: <code>TEXPrintOrdChange/terms/allowanceCharge/@VAT</code>) [Optional]</p>
<code>@version</code>	<p>Dictionary version from which the instance has been created</p> <p>- base type: string, cod. table: NT100</p> <p><a href="http://www.moda-ml.net/moda-ml/repository/codelist/v2013-1/gc_NT100.xml">http://www.moda-ml.net/moda-ml/repository/codelist/v2013-1/gc_NT100.xml</a></p> <p>(XPath: <code>TEXPrintOrdChange/@version</code>) [Optional] [Default= 2013-1]</p>

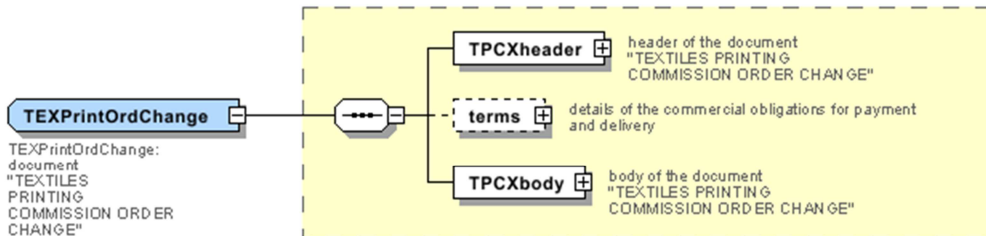
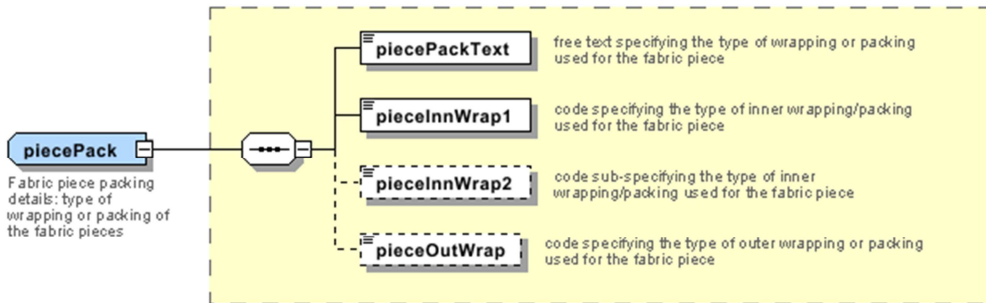
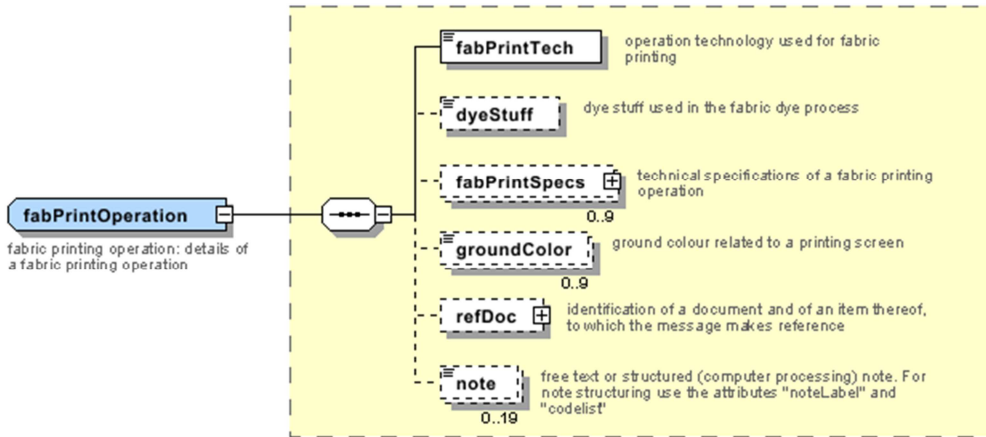
## 2.3 Enumeration tables

List of enumeration tables used in the XML document. You can find the corresponding codes at: <http://www.moda-ml.org/moda-ml/imple/moda-ml-2013-1.asp?lingua=en&pag=6>

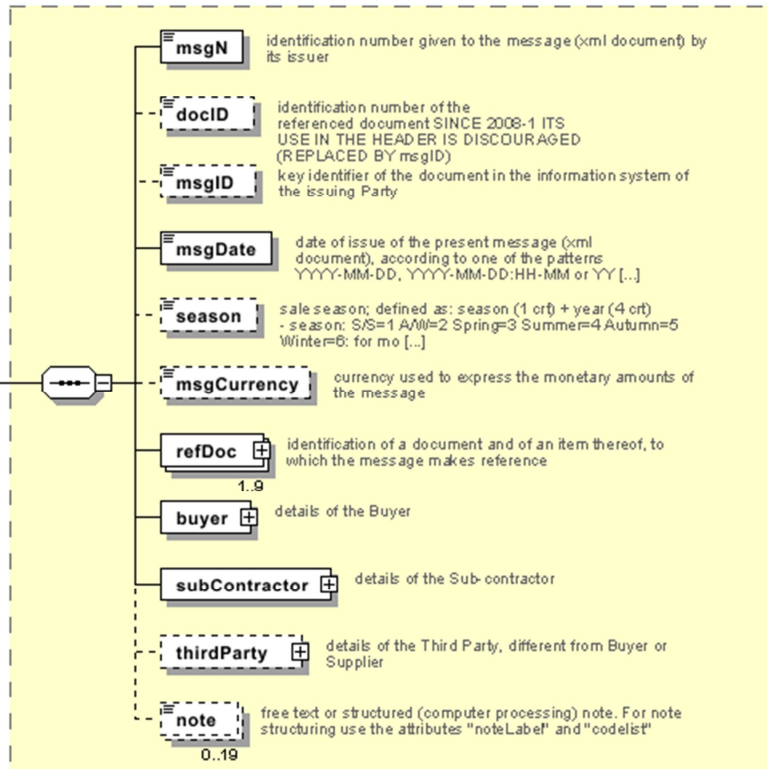
NT100 - eBIZ Moda-ML version  
NT11 - transport causal  
NT12 - data source  
NT16 - VAT rate or code  
NT18 - message function  
NT2 - third party qualifier  
NT20 - price qualifier  
NT22 - product type of an operation  
NT29 - format of a date  
NT3 - data format  
NT38 - colour test  
NT4 - end use  
NT5 - action code  
NT6 - coding system owner/issuer  
NT7 - unity of measure  
T1 - terms of payment  
T10 - ISO3166 - Country  
T13 - CFM properties of fabric  
T16 - dyestuff type  
T19 - fibre type  
T2 - Modes of payment  
T21 - type of document  
T264 - fabric printing technology  
T3 - terms of delivery  
T38 - transport conditions  
T4 - fabric piece inner packing (wrapping) 1  
T40 - type of transport means  
T41 - type of Allowance or Charge  
T44 - additional code type  
T45 - fabric print parameter type  
T5 - fabric piece inner packing (wrapping) 2  
T52 - fabric piece status  
T6 - fabric piece outer packing  
T61 - duty or tax or fee type  
T62 - duty or tax or fee category  
T8 - Modes of Transport  
T9 - ISO4217 - Currency

# Annex A

Representative images of the principal complex elements' structure.



**TPCXheader**  
 TPCX header:  
 header of the  
 document  
 "TEXTILES  
 PRINTING  
 COMMISSION  
 ORDER CHANGE"



**TPCXitem**  
 TPCX item:  
 line item of  
 the document  
 "TEXTILES  
 PRINTING  
 COMMISSION  
 ORDER  
 CHANGE"

