



<http://www.ebiz-tcf.eu>

IMPLEMENTATION GUIDE

includes COMPARISON BETWEEN CURRENT and LAST
PREVIOUSLY RELEASED VERSION

TRANSACTION "GARMENT KIT DESPATCH REQUEST"

Version: v2018-1

Date of release: 18/7/2019

Document code: G019rv

technical Documentation: <http://www.ebiz.enea.it>

XML Schemas repository: <http://www.ebiz.enea.it/moda-ml/repository/schema/v2018-1/default.asp>

Guides repository: <http://www.ebiz.enea.it/moda-ml/repository/guide/v2018-1/default.asp>

Guide filename: G019rv-eBIZ-GarmentKitDespatchRequest.pdf

1. BUSINESS DESCRIPTION

1.1 Scope

The present guide has been issued to assist the companies of the Textile-Clothing sector in the implementation of the standard XML document type "GARMENT KIT DESPATCH REQUEST", providing all the instruction required for its use in any context of e-commerce between Apparel Producers and other actors that will send the kits on their behalf.

All the rules required for the construction and validation of the document are embedded into the specific XML-Schema, which is detailed in section "Implementation guide".

1.2 Generalities

In this scenario, the Fabric Producers agree to send fabrics and accessories ordered by the Apparel Producer to a Logistics Company or directly to the Apparel Subcontractor specified by the Apparel Producer. The Apparel Producer send a Despatch Request of the "kit" to the Fabric Producer or to the Logistics company so that it can make the "groupage (fabric, buttons, fastners. . .)" and send it to the specified Subcontractor.

At this point, the Logistics company (or the Fabric Producer acting as) send the Despatch Advise to the Apparel Producer to confirm the shipping; the same document is sent to the Subcontractor to anticipate the information about the material it will receive.

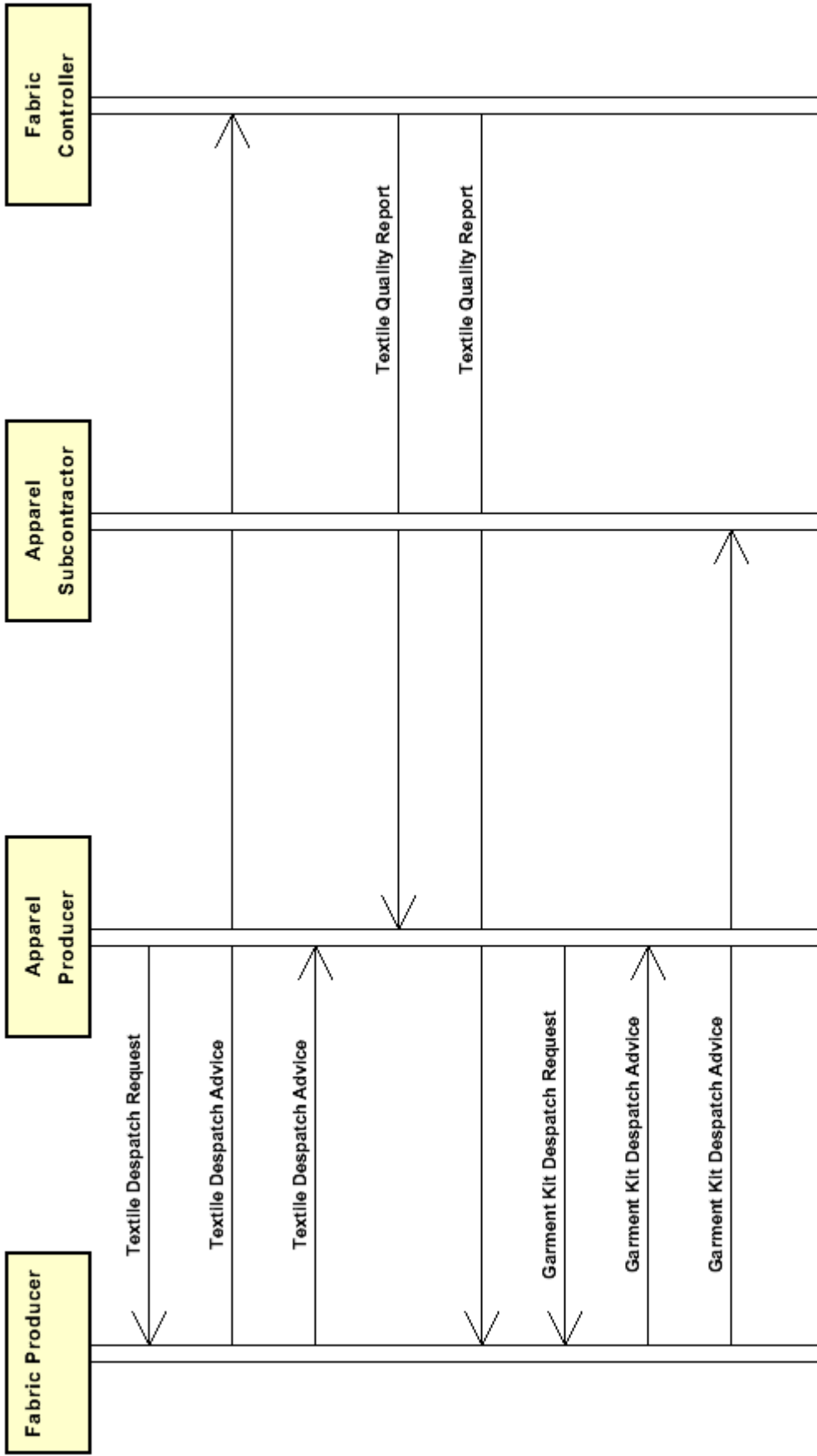
This document is relative to the Despatch Request of the "kit" and can concern one or several Subcontractors.

The basic principles are:

- one line item must correspond to one "kit" and one Subcontractor
- every kit is made of one or more fabrics of which the single pieces can be identified, plus several accessories
- as for the roles: the Apparel Producer is "buyer", the Logistics company is "supplier" and the Subcontractor is "third party"

1.3. Possible scenario

Despatch of fabrics with groupage



2. IMPLEMENTATION GUIDE

2.1 General structure of XML document

All the business data that can be exchanged through this class of documents are shown in the following "document structure", that provides a simplified vision of the Schema.

In particular:

- the two numbers following each element define its "cardinality" (minimum and maximum number of occurrences); the minimum equal zero indicates that the element is optional, the minimum greater than zero indicates that is mandatory;
- the bold character denotes the complex elements (aggregates of simple elements) that were built for the sake of functionality and re-usability of some complex informations sets. The child elements in each parent element are easily spotted as "indented";
- the symbol "@" denotes an attribute of the preceding element; here "the usage indicator (optional, required, ...) is shown in square brackets.

Legenda

- N: new element
- U: updated properties
- P: changes in children
- p: is a changed child
- A: changes in attributes
- a: is a new or changed attribute
- *: is a subtype

Structure

```
TEXKitDesRequest (P)
@TRtype [Optional] [Default= STD]
@msgfunction [Optional] [Default= OR]
@version [Optional] [Default= 2018-1]
@useProfile [Optional]
| TRheader 1-1 (P)
| | msgN 1-1
| | - choose -
| | msgID 0-1
| | - or -
| | docID 0-1
| | @numberingOrg [Optional]
| | - end choose -
| | msgDate 1-1
| | @dateForm [Optional]
| | refDoc 0-9 (P)
| | @docType [Required]
| | | docID 1-2 (p)
| | | @numberingOrg [Optional]
| | | docDate 0-1
| | | @dateForm [Optional]
| | | season 0-1 (A)
| | | @numberingOrg [Optional] (a)
| | | @codeList [Optional] (a)
| | | @listName [Optional] (a)
| | | @listVersion [Optional] (a)
| | | itemID 0-1 (U)
| | | attachment 0-1 (N)
| | | @uid [Optional]
| | | | fileName 0-1 (N)
```

```

| | | @numberingOrg [Optional]
| | | binaryObject 0-1 (N)
| | | @format [Optional] (N)
| | | @mime [Optional] (N)
| | | @encoding [Optional] (N)
| | | @characterSet [Optional] (N)
| | | externalReference 0-99 (N)
| | | | uri 1-1 (N)
| | | | @isURL [Optional] [Default= true] (Na)
| | | | mimeTypeCode 0-1 (N)
| | | | formatCode 0-1 (N)
| | | | encodingCode 0-1 (N)
| | | | characterSetCode 0-1 (N)
| buyer 1-1 (AP)
| @logo [Optional]
| @sender [Optional] (a*)
| | id 1-1 (p)
| | | @numberingOrg [Optional]
| | | additionalIdentifier 0-9 (N)
| | | @numberingOrg [Optional] (a)
| | | @idQualifier [Optional] (Na)
| | | legalName 0-1 (U)
| | | dept 0-1
| | | subDept 0-1 (N)
| | | person 0-1
| | | | @email [Optional]
| | | | @phone [Optional]
| | | | @fax [Optional]
| | | | street 0-1
| | | | city 0-1
| | | | subCountry 0-1
| | | | country 0-1
| | | | postCode 0-1
| supplier 1-1 (AP)
| @logo [Optional]
| @sender [Optional] (a*)
| | id 1-1
| | | @numberingOrg [Optional]
| | | additionalIdentifier 0-9 (N)
| | | @numberingOrg [Optional] (a)
| | | @idQualifier [Optional] (Na)
| | | legalName 0-1 (U)
| | | dept 0-1
| | | subDept 0-1 (N)
| | | person 0-1
| | | | @email [Optional]
| | | | @phone [Optional]
| | | | @fax [Optional]
| | | | street 0-1
| | | | city 0-1
| | | | subCountry 0-1
| | | | country 0-1
| | | | postCode 0-1
| thirdParty 0-5 (AP)
| @VAT [Optional]
| @role [Required]
| @sender [Optional] (a*)
| | id 1-1
| | | @numberingOrg [Optional]
| | | legalName 0-1 (U)
| | | dept 0-1

```

- | | | subDept 0-1 (N)
- | | | person 0-1
- | | | @email [Optional]
- | | | @phone [Optional]
- | | | @fax [Optional]
- | | | street 0-1
- | | | city 0-1
- | | | subCountry 0-1
- | | | country 0-1
- | | | postCode 0-1
- | | note 0-99
- | | @numberingOrg [Optional]
- | | @codeList [Optional]
- | | @noteLabel [Optional]

| **trade 0-1**

- choose -

- | | incoTermText 1-1 (U)

- or -

- | | incoTerm 1-1

- end choose -

- | | location 0-1

- | | @LRI [Optional]

| **shipInfo 0-1 (P)**

- | | **transInfo 0-9 (AP)**

- | | | @transReason [Optional]

- | | | @progr [Optional] (N)

- | | | | transMode 1-1

- | | | | carrier 0-1

- | | | | deliveryPlace 0-1 (U)

- | | | | grossWeight 0-1

- | | | | | @um [Required]

- | | | | netWeight 0-1

- | | | | | @um [Required]

- | | | | transMeans 0-1

- | | | | transCondition 0-3

- | | | | transConditionText 0-1 (U)

- | | | | despatchPlace 0-1 (N)

- | | | | despatchDate 0-1 (N)

- | | | | | @dateForm [Optional] (a)

- | | | | delEffectiveDate 0-1 (p)

- | | | | | @dateForm [Optional]

- | | delEffectiveDate 0-1

- | | | @dateForm [Optional]

- | | **packages 0-99 (P)**

- | | | @packageLevel [Optional]

- choose -

- | | | packageText 1-1 (U)

- or -

- | | | package 1-1

- end choose -

- | | | | packageModelCode 0-1 (N)

- | | | | | @numberingOrg [Optional] (a)

- | | | | description 0-unbounded (AU)

- | | | | | @ln [Optional] (N)

- | | | **packageDim 0-1**

- | | | | length 1-1

- | | | | | @um [Required]

- | | | | width 0-1

- | | | | | @um [Required]

```

| | | | height 0-1
| | | | @um [Required]
| | | | handlingChar 0-1 (N)
- choose -
| | | | yarnPack 0-1
| | | | | yarnReel 1-1
| | | | | | @reelType [Required]
| | | | | | @reelMat [Optional]
| | | | | | | yarnReelD 0-1
| | | | | | | | @um [Required]
| | | | | | | yarnReelH 0-1
| | | | | | | | @um [Required]
| | | | | | | yarnConeAngle 0-1
| | | | | | | yarnReelQty 0-2
| | | | | | | | @um [Required]
| | | | | | | label 0-1
| | | | | | | labelWrit 0-1
| | | | | | yarnInWrap 0-1
| | | | | | | yarnReelWrap 1-1
| | | | | | | label 0-1
| | | | | | | labelWrit 0-1
- choose -
| | | | | yarnOutWrapText 0-1 (U)
- or -
| | | | | yarnOutWrap 0-1
- end choose -
- or -
| | | | | piecePack 0-1
- choose -
| | | | | | piecePackText 1-1 (U)
- or -
| | | | | | | pieceInnWrap1 1-1
| | | | | | | pieceInnWrap2 0-1
| | | | | | | pieceOutWrap 0-1
- end choose -
- or -
| | | | | acsPack 0-1 (U)
- choose -
| | | | | | acsPackCode 1-1 (AU)
| | | | | | | @numberingOrg [Optional] (a)
| | | | | | | @codeList [Optional] (a)
| | | | | | | @listName [Optional] (a)
| | | | | | | @listVersion [Optional] (a)
- or -
| | | | | | acsPackText 1-1 (U)
- end choose -
- or -
| | | | | garPack 0-1 (N)
- choose -
| | | | | | garPackCode 1-1 (N)
| | | | | | | @numberingOrg [Optional] (a)
| | | | | | | @codeList [Optional] (a)
| | | | | | | @listName [Optional] (a)
| | | | | | | @listVersion [Optional] (a)
- or -
| | | | | | garPackText 1-1 (N)
- end choose -
- end choose -
| | | | | sortableIndicator 0-1 (N)
| | | | | stackabilityLevel 0-1 (N)
| | | | | handlingType 0-1 (N)

```



```

| | | @In [Optional] (N)
| | | volume 0-1 (p)
| | | @um [Required]
| | | netWeight 0-1 (p)
| | | @um [Required]
| | | grossWeight 0-1
| | | @um [Required]
| | | note 0-99
| | | @numberingOrg [Optional]
| | | @codeList [Optional]
| | | @noteLabel [Optional]
| | itemsPerPackage 0-1 (N)
| | @um [Required] (a)
| | minItemsPerPackage 0-1 (N)
| | @um [Required] (a)
| | fillingCriterion 0-9 (N)
| | @progr [Optional] (Na)
| | packageQty 0-1
| | packageN 0-unbounded (U)
| | @numberingOrg [Optional]
| | @packageContainerN [Optional]
| | EPCList 0-1
| | | EPC 1-unbounded
| | | @numberingOrg [Optional]
| | | @TID [Optional]
| | actualPackageUnit 0-unbounded (N)
| | | @packageLevel [Optional] (a)
| | | packageIdentification 1-1 (N)
| | | | packageN 1-1 (U)
| | | | @numberingOrg [Optional]
| | | | @packageContainerN [Optional]
| | | | serialN 0-9 (AU)
| | | | @numberingOrg [Optional]
| | | | @idQualifier [Optional] (N)
| | - choose -
| | | packageText 0-1 (U)
| | - or -
| | | package 0-1 (p)
| | - end choose -
| | | packageModelCode 0-1 (N)
| | | @numberingOrg [Optional]
| | | volume 0-1
| | | @um [Required]
| | | netWeight 0-1
| | | @um [Required]
| | | grossWeight 0-1
| | | @um [Required]
| | | packageDim 0-1 (p)
| | | | length 1-1
| | | | @um [Required]
| | | | width 0-1
| | | | @um [Required]
| | | | height 0-1
| | | | @um [Required]
| | | actualItemsPerPackage 0-1 (N)
| | | packagesList 0-1 (N)
| | | | packageIdentification 1-unbounded (N)
| | | | | packageN 1-1 (U)
| | | | | @numberingOrg [Optional]
| | | | | @packageContainerN [Optional]
| | | | | serialN 0-9 (AU)

```

- | | | | @numberingOrg [Optional]
- | | | | @idQualifier [Optional] (N)
- | | **itemsList 0-1** (N)
- | | | qualityLevel 0-1 (N)
- | | | | @numberingOrg [Optional] (a)
- | | | | @codeList [Optional] (a)
- | | | | @listName [Optional] (a)
- | | | | @listVersion [Optional] (a)
- | | | **itemIdentification 1-unbounded** (N)
- | | | | serialN 1-9 (AU)
- | | | | | @numberingOrg [Optional]
- | | | | | @idQualifier [Optional] (N)
- | | note 0-99
- | | | @numberingOrg [Optional]
- | | | @codeList [Optional]
- | | | @noteLabel [Optional]

TKRbody 1-1

- | | **TKRitem 1-unbounded** (P)
- | | | lineN 1-1
- | | | | @VAT [Optional]
- | | | lineID 0-1 (N)
- | | | kitN 1-1
- | | | | @numberingOrg [Optional]
- | | | **refDoc 0-9** (P)
- | | | | @docType [Required]
- | | | | | docID 1-2 (p)
- | | | | | | @numberingOrg [Optional]
- | | | | | docDate 0-1
- | | | | | | @dateForm [Optional]
- | | | | | season 0-1 (A)
- | | | | | | @numberingOrg [Optional] (a)
- | | | | | | @codeList [Optional] (a)
- | | | | | | @listName [Optional] (a)
- | | | | | | @listVersion [Optional] (a)
- | | | | itemID 0-1 (U)
- | | | | **attachment 0-1** (N)
- | | | | | @uid [Optional]
- | | | | | | fileName 0-1 (N)
- | | | | | | | @numberingOrg [Optional] (a)
- | | | | | | binaryObject 0-1 (N)
- | | | | | | | @format [Optional] (Na)
- | | | | | | | @mime [Optional] (Na)
- | | | | | | | @encoding [Optional] (Na)
- | | | | | | | @characterSet [Optional] (Na)
- | | | | | | **externalReference 0-99** (N)
- | | | | | | | uri 1-1 (N)
- | | | | | | | | @isURL [Optional] [Default= true] (Na)
- | | | | | | | | mimeTypeCode 0-1 (N)
- | | | | | | | | formatCode 0-1 (N)
- | | | | | | | | encodingCode 0-1 (N)
- | | | | | | | | characterSetCode 0-1 (N)
- | | | **kitFabric 0-99**
- | | | | **texCode 1-2** (P)
- | | | | | @numberingOrg [Optional]
- | | | | | | art 1-1 (U)
- | | | | | | | @numberingOrg [Optional]
- | | | | | | | @codeList [Optional]
- | | | | | | | @listName [Optional]
- | | | | | | | @listVersion [Optional]
- | | | | pattern 0-1

```

| | | | @numberingOrg [Optional]
| | | | @codeList [Optional]
| | | | @listName [Optional]
| | | | @listVersion [Optional]
| | | | color 0-1
| | | | @numberingOrg [Optional]
| | | | @codeList [Optional]
| | | | @listName [Optional]
| | | | @listVersion [Optional]
| | | | added 0-9
| | | | @numberingOrg [Optional]
| | | | @addType [Optional]
| | | | description 0-unbounded (pAU)
| | | | @ln [Optional] (N)
| | | | fabricCompos 0-1
| | | | | percCompos 1-9
| | | | | @fibre [Required]
| | | | qty 1-2
| | | | | @um [Required]
| | | | qtyVariance 0-1
| | | | | @um [Optional]
| | | | | @varReason [Optional]
| | | | mixMatch 0-1
| | | | | @numberingOrg [Optional]
| | | | piece 0-unbounded (P)
| | | | | @endUse [Optional]
| | | | | serialN 0-9 (AU)
| | | | | | @numberingOrg [Optional]
| | | | | | @idQualifier [Optional] (N)
| | | | | EPC 0-1
| | | | | | @numberingOrg [Optional]
| | | | | | @TID [Optional]
| | | | | totFault 0-1
| | | | | pieceStatus 0-1
| | | | | pieceLength 0-1
| | | | | | @um [Optional] [Default= MTR]
| | | | | pieceWidth 0-1
| | | | | | @um [Optional] [Default= CMT]
| | | | | pieceCutWidth 0-1
| | | | | | @um [Optional] [Default= CMT]
| | | | | pieceWeight 0-1
| | | | | | @um [Optional] [Default= KGM]
| | | | | pieceWeightM 0-1
| | | | | | @um [Optional] [Default= GRM]
| | | | | grossWeight 0-1 (p)
| | | | | | @um [Required]
| | | | | pieceAllow 0-1
| | | | | | @um [Required]
| | | | | lotN 0-2 (p)
| | | | | | @numberingOrg [Optional]
| | | | | dyeN 0-1
| | | | | | @numberingOrg [Optional]
| | | | | mixMatch 0-1
| | | | | | @numberingOrg [Optional]
| | | | | packageN 0-1 (U)
| | | | | | @numberingOrg [Optional]
| | | | | | @packageContainerN [Optional]
| | | | | piecePack 0-1
| | | | | - choose -
| | | | | | piecePackText 1-1 (U)
| | | | | - or -

```

```

| | | | | pieceInnWrap1 1-1
| | | | | pieceInnWrap2 0-1
| | | | | pieceOutWrap 0-1
- end choose -
| | | | | kitAccessory 0-unbounded (P)
| | | | | acsCode 1-2 (U)
| | | | | @numberingOrg [Optional]
| | | | | | art 1-1 (U)
| | | | | | @numberingOrg [Optional]
| | | | | | @codeList [Optional]
| | | | | | @listName [Optional]
| | | | | | @listVersion [Optional]
| | | | | | pattern 0-1
| | | | | | @numberingOrg [Optional]
| | | | | | @codeList [Optional]
| | | | | | @listName [Optional]
| | | | | | @listVersion [Optional]
| | | | | | color 0-1
| | | | | | @numberingOrg [Optional]
| | | | | | @codeList [Optional]
| | | | | | @listName [Optional]
| | | | | | @listVersion [Optional]
| | | | | | added 0-9
| | | | | | @numberingOrg [Optional]
| | | | | | @addType [Optional]
| | | | | | description 0-unbounded (AU)
| | | | | | @ln [Optional] (N)
| | | | | acsName 0-1 (U)
| | | | | qty 1-2
| | | | | @um [Required]
| | | | | csRange 0-99 (pP)
| | | | | @numberingOrg [Optional]
| | | | | @sizeSystemNat [Optional]
| | | | | @sizeSystemSeg [Optional]
| | | | | @sizeSystemBase [Optional]
| | | | | @sizeSystemID [Optional]
| | | | | | color 0-1
| | | | | | @numberingOrg [Optional]
| | | | | | @codeList [Optional]
| | | | | | @listName [Optional]
| | | | | | @listVersion [Optional]
| | | | | | garmentVariant 0-9 (N)
| | | | | | | variantType 1-1 (N)
| | | | | | | @numberingOrg [Optional] (a)
| | | | | | | @codeList [Optional] (a)
| | | | | | | @listName [Optional] (a)
| | | | | | | @listVersion [Optional] (a)
| | | | | | | variantCode 1-1 (N)
| | | | | | | @numberingOrg [Optional] (a)
| | | | | | | @codeList [Optional] (a)
| | | | | | | @listName [Optional] (a)
| | | | | | | @listVersion [Optional] (a)
| | | | | | drop 0-1 (A)
| | | | | | @numberingOrg [Optional] (a)
| | | | | | @codeList [Optional]
| | | | | | @listName [Optional] (a)
| | | | | | @listVersion [Optional] (a)
| | | | | | sizeMatrix 1-1
| | | | | | | sizeRow 1-99 (P)
| | | | | | | | additionalComponentCode 0-9 (N)
| | | | | | | | @numberingOrg [Optional] (a)

```

```

| | | | | @codeList [Optional] (a)
| | | | | @listName [Optional] (a)
| | | | | @listVersion [Optional] (a)
| | | | | drop 0-1 (A)
| | | | | @numberingOrg [Optional] (a)
| | | | | @codeList [Optional]
| | | | | @listName [Optional] (a)
| | | | | @listVersion [Optional] (a)
| | | | | size 1-1 (A)
| | | | | @numberingOrg [Optional] (a)
| | | | | @codeList [Optional]
| | | | | @listName [Optional] (a)
| | | | | @listVersion [Optional] (a)
| | | | | qty 0-1
| | | | | @um [Required]
| | | | | itemsList 0-1 (N)
| | | | | | qualityLevel 0-1 (N)
| | | | | | @numberingOrg [Optional] (a)
| | | | | | @codeList [Optional] (a)
| | | | | | @listName [Optional] (a)
| | | | | | @listVersion [Optional] (a)
| | | | | | itemIdentification 1-unbounded (N)
| | | | | | | serialN 1-9 (AU)
| | | | | | | @numberingOrg [Optional]
| | | | | | | @idQualifier [Optional] (N)
| | | | | lotN 0-1
| | | | | @numberingOrg [Optional]
| | | | | acsPack 0-1 (pU)
| | | | | - choose -
| | | | | | acsPackCode 1-1 (AU)
| | | | | | @numberingOrg [Optional] (a)
| | | | | | @codeList [Optional] (a)
| | | | | | @listName [Optional] (a)
| | | | | | @listVersion [Optional] (a)
| | | | | - or -
| | | | | | acsPackText 1-1 (U)
| | | | | - end choose -
| | | | | mixMatch 0-1
| | | | | @numberingOrg [Optional]
| | | | | itemsList 0-1 (N)
| | | | | | qualityLevel 0-1 (N)
| | | | | | @numberingOrg [Optional] (a)
| | | | | | @codeList [Optional] (a)
| | | | | | @listName [Optional] (a)
| | | | | | @listVersion [Optional] (a)
| | | | | | itemIdentification 1-unbounded (N)
| | | | | | | serialN 1-9 (AU)
| | | | | | | @numberingOrg [Optional]
| | | | | | | @idQualifier [Optional] (N)
| | | | | packageN 0-9 (U)
| | | | | @numberingOrg [Optional]
| | | | | @packageContainerN [Optional]
| | | | | thirdParty 0-3 (AP)
| | | | | @VAT [Optional]
| | | | | @role [Required]
| | | | | @sender [Optional] (a*)
| | | | | | id 1-1
| | | | | | @numberingOrg [Optional]
| | | | | | legalName 0-1 (U)
| | | | | | dept 0-1
| | | | | | subDept 0-1 (N)

```

```

| | | | | person 0-1
| | | | | @email [Optional]
| | | | | @phone [Optional]
| | | | | @fax [Optional]
| | | | | street 0-1
| | | | | city 0-1
| | | | | subCountry 0-1
| | | | | country 0-1
| | | | | postCode 0-1
| | | | | shipInfo 0-1 (P)
| | | | | | transInfo 0-9 (AP)
| | | | | | | @transReason [Optional]
| | | | | | | @progr [Optional] (N)
| | | | | | | | transMode 1-1
| | | | | | | | carrier 0-1
| | | | | | | | deliveryPlace 0-1 (U)
| | | | | | | | grossWeight 0-1
| | | | | | | | | @um [Required]
| | | | | | | | netWeight 0-1
| | | | | | | | | @um [Required]
| | | | | | | | transMeans 0-1
| | | | | | | | transCondition 0-3
| | | | | | | | transConditionText 0-1 (U)
| | | | | | | | despatchPlace 0-1 (N)
| | | | | | | | despatchDate 0-1 (N)
| | | | | | | | | @dateForm [Optional] (a)
| | | | | | | | delEffectiveDate 0-1
| | | | | | | | | @dateForm [Optional]
| | | | | | delEffectiveDate 0-1
| | | | | | | @dateForm [Optional]
| | | | | | packages 0-99 (P)
| | | | | | | @packageLevel [Optional]
| | | | | | - choose -
| | | | | | | packageText 1-1 (U)
| | | | | | - or -
| | | | | | | package 1-1
| | | | | | - end choose -
| | | | | | | packageModelCode 0-1 (N)
| | | | | | | | @numberingOrg [Optional] (a)
| | | | | | | | description 0-unbounded (AU)
| | | | | | | | @In [Optional] (N)
| | | | | | | packageDim 0-1
| | | | | | | | length 1-1
| | | | | | | | | @um [Required]
| | | | | | | | width 0-1
| | | | | | | | | @um [Required]
| | | | | | | | height 0-1
| | | | | | | | | @um [Required]
| | | | | | | handlingChar 0-1 (N)
| | | | | | | - choose -
| | | | | | | yarnPack 0-1
| | | | | | | | yarnReel 1-1
| | | | | | | | | @reelType [Required]
| | | | | | | | | @reelMat [Optional]
| | | | | | | | | | yarnReelD 0-1
| | | | | | | | | | | @um [Required]
| | | | | | | | | | yarnReelH 0-1
| | | | | | | | | | | @um [Required]
| | | | | | | | | | yarnConeAngle 0-1
| | | | | | | | | | yarnReelQty 0-2
| | | | | | | | | | | @um [Required]

```

```

| | | | | | | | | label 0-1
| | | | | | | | | labelWrit 0-1
| | | | | | | | | yarnInWrap 0-1
| | | | | | | | | yarnReelWrap 1-1
| | | | | | | | | label 0-1
| | | | | | | | | labelWrit 0-1
| | | | | | | | | - choose -
| | | | | | | | | yarnOutWrapText 0-1 (U)
| | | | | | | | | - or -
| | | | | | | | | yarnOutWrap 0-1
| | | | | | | | | - end choose -
- or -
| | | | | | | | | piecePack 0-1
| | | | | | | | | - choose -
| | | | | | | | | piecePackText 1-1 (U)
| | | | | | | | | - or -
| | | | | | | | | pieceInnWrap1 1-1
| | | | | | | | | pieceInnWrap2 0-1
| | | | | | | | | pieceOutWrap 0-1
| | | | | | | | | - end choose -
- or -
| | | | | | | | | acsPack 0-1 (U)
| | | | | | | | | - choose -
| | | | | | | | | acsPackCode 1-1 (AU)
| | | | | | | | | @numberingOrg [Optional] (a)
| | | | | | | | | @codeList [Optional] (a)
| | | | | | | | | @listName [Optional] (a)
| | | | | | | | | @listVersion [Optional] (a)
| | | | | | | | | - or -
| | | | | | | | | acsPackText 1-1 (U)
| | | | | | | | | - end choose -
- or -
| | | | | | | | | garPack 0-1 (N)
| | | | | | | | | - choose -
| | | | | | | | | garPackCode 1-1 (N)
| | | | | | | | | @numberingOrg [Optional] (a)
| | | | | | | | | @codeList [Optional] (a)
| | | | | | | | | @listName [Optional] (a)
| | | | | | | | | @listVersion [Optional] (a)
| | | | | | | | | - or -
| | | | | | | | | garPackText 1-1 (N)
| | | | | | | | | - end choose -
- end choose -
| | | | | | | | | sortableIndicator 0-1 (N)
| | | | | | | | | stackabilityLevel 0-1 (N)
| | | | | | | | | handlingType 0-1 (N)
| | | | | | | | | @ln [Optional] (Na)
| | | | | | | | | volume 0-1 (p)
| | | | | | | | | @um [Required]
| | | | | | | | | netWeight 0-1 (p)
| | | | | | | | | @um [Required]
| | | | | | | | | grossWeight 0-1
| | | | | | | | | @um [Required]
| | | | | | | | | note 0-99
| | | | | | | | | @numberingOrg [Optional]
| | | | | | | | | @codeList [Optional]
| | | | | | | | | @noteLabel [Optional]
| | | | | | | | | itemsPerPackage 0-1 (N)
| | | | | | | | | @um [Required] (a)
| | | | | | | | | minItemsPerPackage 0-1 (N)
| | | | | | | | | @um [Required] (a)

```

```

| fillingCriterion 0-9 (N)
| @progr [Optional] (Na)
| packageQty 0-1
| packageN 0-unbounded (U)
| @numberingOrg [Optional]
| @packageContainerN [Optional]
| EPCList 0-1
|   EPC 1-unbounded
|   @numberingOrg [Optional]
|   @TID [Optional]
| actualPackageUnit 0-unbounded (N)
| @packageLevel [Optional]
|   packageldentification 1-1 (N)
|     packageN 1-1 (U)
|     @numberingOrg [Optional]
|     @packageContainerN [Optional]
|     serialN 0-9 (AU)
|     @numberingOrg [Optional]
|     @idQualifier [Optional] (N)
- choose -
| packageText 0-1 (U)
- or -
| package 0-1
- end choose -
| packageModelCode 0-1 (N)
| @numberingOrg [Optional] (a)
| volume 0-1
| @um [Required]
| netWeight 0-1
| @um [Required]
| grossWeight 0-1
| @um [Required]
| packageDim 0-1
|   length 1-1
|   @um [Required]
|   width 0-1
|   @um [Required]
|   height 0-1
|   @um [Required]
| actualItemsPerPackage 0-1 (N)
| packagesList 0-1 (N)
|   packageldentification 1-unbounded (N)
|     packageN 1-1 (U)
|     @numberingOrg [Optional]
|     @packageContainerN [Optional]
|     serialN 0-9 (AU)
|     @numberingOrg [Optional]
|     @idQualifier [Optional] (N)
|   itemsList 0-1 (N)
|     qualityLevel 0-1 (N)
|     @numberingOrg [Optional] (a)
|     @codeList [Optional] (a)
|     @listName [Optional] (a)
|     @listVersion [Optional] (a)
|     itemIdentification 1-unbounded (N)
|       serialN 1-9 (AU)
|       @numberingOrg [Optional]
|       @idQualifier [Optional] (N)
| note 0-99
| @numberingOrg [Optional]
| @codeList [Optional]

```


| | | | @noteLabel [Optional]
| | | packageN 0-unbounded (U)
| | | @numberingOrg [Optional]
| | | @packageContainerN [Optional]
| | | note 0-99
| | | @numberingOrg [Optional]
| | | @codeList [Optional]
| | | @noteLabel [Optional]

2.2 Detailed description of document elements

Following tables show all elements (complex and simple) used in this document. Description includes: 1) element's information: xml tag, name, brief description, data type and syntax constraints; 2) information about use of the element in a particular position in the document: xpath and possible associated notes.

2.2.1 Complex elements (Aggregate Business Information Entities)

Complex elements are those elements whose content is composed of other elements (childs). Complex elements are alphabetically ordered.

acsCode	full codification identifying an accessory product usually coupled with garment or other fashion product (XPath TEXKitDesRequest/TKRbody/TKRitem/kitAccessory/acsCode) 1-2 (U)
acsPack	type of wrapping or packing of the accessory (XPath TEXKitDesRequest/TKRbody/TKRitem/kitAccessory/acsPack) 0-1 (pU) (XPath TEXKitDesRequest/shipInfo/packages/handlingChar/acsPack) 0-1 (U) (XPath TEXKitDesRequest/TKRbody/TKRitem/shipInfo/packages/handlingChar/acsPack) 0-1 (U)
actualPackageUnit	description and identification of a single transport package (XPath TEXKitDesRequest/shipInfo/actualPackageUnit) 0-unbounded (N) - note: <i>this element might be repeated for listing each single package of the shipment</i> (XPath TEXKitDesRequest/TKRbody/TKRitem/shipInfo/actualPackageUnit) 0-unbounded (N) - note: <i>this element might be repeated for listing each single package of the shipment</i>
attachment	an attached document. An attachment can refer to an external document or be included with the document being exchanged (XPath TEXKitDesRequest/TRheader/refDoc/attachment) 0-1 (N) (XPath TEXKitDesRequest/TKRbody/TKRitem/refDoc/attachment) 0-1 (N)
buyer	details of the Buyer (party that buys the good or service that is object of the current collaborative process) - base type: Nad, (XPath TEXKitDesRequest/TRheader/buyer) 1-1 (AP)
csRange	range of color-size for a fashion article (XPath TEXKitDesRequest/TKRbody/TKRitem/kitAccessory/csRange) 0-99 (pP)
EPCList	list of identifiers used for tracing a physical item with RFID technology (XPath TEXKitDesRequest/TKRbody/TKRitem/shipInfo/packages/EPCList) 0-1 - note: <i>this element is DEPRECATED, please use the specific elements</i> (XPath TEXKitDesRequest/shipInfo/packages/EPCList) 0-1 - note: <i>this element is DEPRECATED, please use the specific elements</i>
externalReference	details about an external object, such as a document stored at a remote location (XPath TEXKitDesRequest/TRheader/refDoc/attachment/externalReference) 0-99 (N) (XPath TEXKitDesRequest/TKRbody/TKRitem/refDoc/attachment/externalReference) 0-99 (N)
fabricCompos	composition of the fabric according to the Directory 97/37/CE (XPath TEXKitDesRequest/TKRbody/TKRitem/kitFabric/fabricCompos) 0-1
garmentVariant	garment product variant (XPath TEXKitDesRequest/TKRbody/TKRitem/kitAccessory/csRange/garmentVariant) 0-9 (N) - note: <i>used only if not already specified in the article code</i>

garPack	the packaging mode of the item or a part of it. (XPath TEXKitDesRequest/shipInfo/packages/handlingChar/garPack) 0-1 (N) (XPath TEXKitDesRequest/TKRbody/TKRitem/shipInfo/packages/handlingChar/garPack) 0-1 (N)
handlingChar	features of an item (item or package) useful for its transport and warehouse management. (XPath TEXKitDesRequest/shipInfo/packages/handlingChar) 0-1 (N) - note: <i>in this case the characteristics are related to the package.</i> (XPath TEXKitDesRequest/TKRbody/TKRitem/shipInfo/packages/handlingChar) 0-1 (N) - note: <i>in this case the characteristics are related to the package.</i>
itemIdentification	serial identification of a product unit (XPath TEXKitDesRequest/TKRbody/TKRitem/kitAccessory/csRange/sizeMatrix/sizeRow/itemsList/itemIdentification) 1-unbounded (N) - note: <i>identification of the single product unit contained in the list</i> (XPath TEXKitDesRequest/shipInfo/actualPackageUnit/itemsList/itemIdentification) 1-unbounded (N) - note: <i>identification of the single product unit contained in the list</i> (XPath TEXKitDesRequest/TKRbody/TKRitem/kitAccessory/itemsList/itemIdentification) 1-unbounded (N) - note: <i>identification of the single product unit contained in the list</i> (XPath TEXKitDesRequest/TKRbody/TKRitem/shipInfo/actualPackageUnit/itemsList/itemIdentification) 1-unbounded (N) - note: <i>identification of the single product unit contained in the list</i>
itemsList	list of the single product units (XPath TEXKitDesRequest/TKRbody/TKRitem/kitAccessory/itemsList) 0-1 (N) (XPath TEXKitDesRequest/TKRbody/TKRitem/shipInfo/actualPackageUnit/itemsList) 0-1 (N) (XPath TEXKitDesRequest/shipInfo/actualPackageUnit/itemsList) 0-1 (N) (XPath TEXKitDesRequest/TKRbody/TKRitem/kitAccessory/csRange/sizeMatrix/sizeRow/itemsList) 0-1 (N) - note: <i>the usage in this position is alternative to its usage within the document line element</i>
kitAccessory	details of an accessory included in a garment manufacturing kit (XPath TEXKitDesRequest/TKRbody/TKRitem/kitAccessory) 0-unbounded (P)
kitFabric	details of a fabric included in a garment manufacturing kit (XPath TEXKitDesRequest/TKRbody/TKRitem/kitFabric) 0-99
packageDim	dimensions of a transport package (XPath TEXKitDesRequest/TKRbody/TKRitem/shipInfo/packages/packageDim) 0-1 (XPath TEXKitDesRequest/shipInfo/actualPackageUnit/packageDim) 0-1 (p) (XPath TEXKitDesRequest/shipInfo/packages/packageDim) 0-1 (XPath TEXKitDesRequest/TKRbody/TKRitem/shipInfo/actualPackageUnit/packageDim) 0-1
packageIdentification	serial identification of a package (XPath TEXKitDesRequest/shipInfo/actualPackageUnit/packageIdentification) 1-1 (N) (XPath TEXKitDesRequest/TKRbody/TKRitem/shipInfo/actualPackageUnit/packagesList/packageIdentification) 1-unbounded (N) - note: <i>identification of the single package contained in the list</i> (XPath TEXKitDesRequest/TKRbody/TKRitem/shipInfo/actualPackageUnit/packageIdentification) 1-1 (N) (XPath TEXKitDesRequest/shipInfo/actualPackageUnit/packagesList/packageIdentification) 1-unbounded (N) - note: <i>identification of the single package contained in the list</i>
packages	describes the composition of the transport packaging. Each element corresponds to a type of package: type, quantity, hierarchic level, list of identifiers of the single packages (XPath TEXKitDesRequest/shipInfo/packages) 0-99 (P) - note: <i>this element must be iterated for each type of package</i>

	(XPath TEXKitDesRequest/TKRbody/TKRitem/shipInfo/packages) 0-99 (P) - note: <i>this element must be iterated for each type of package</i>
packagesList	list of single packages (XPath TEXKitDesRequest/shipInfo/actualPackageUnit/packagesList) 0-1 (N) - note: <i>list of packages contained within the actual package (thus with lower level). All the packages in the list should preferably have the same level.</i> (XPath TEXKitDesRequest/TKRbody/TKRitem/shipInfo/actualPackageUnit/packagesList) 0-1 (N) - note: <i>list of packages contained within the actual package (thus with lower level). All the packages in the list should preferably have the same level.</i>
piece	Identification data and measurement of the fabric piece. (XPath TEXKitDesRequest/TKRbody/TKRitem/kitFabric/piece) 0-unbounded (P)
piecePack	type of wrapping or packing of the fabric pieces (XPath TEXKitDesRequest/shipInfo/packages/handlingChar/piecePack) 0-1 (XPath TEXKitDesRequest/TKRbody/TKRitem/kitFabric/piece/piecePack) 0-1 (XPath TEXKitDesRequest/TKRbody/TKRitem/shipInfo/packages/handlingChar/piecePack) 0-1
refDoc	identification of a document and of an item thereof, to which the message makes reference (XPath TEXKitDesRequest/TKRbody/TKRitem/refDoc) 0-9 (P) (XPath TEXKitDesRequest/TRheader/refDoc) 0-9 (P)
shipInfo	miscellaneous information on transport and transport packages, referred either to the whole document or to the single item (XPath TEXKitDesRequest/shipInfo) 0-1 (P) - note: <i>here must be specified the conditions that are valid for the whole document</i> (XPath TEXKitDesRequest/TKRbody/TKRitem/shipInfo) 0-1 (P)
sizeMatrix	size matrix of an apparel product (XPath TEXKitDesRequest/TKRbody/TKRitem/kitAccessory/csRange/sizeMatrix) 1-1
sizeRow	size matrix row of an apparel product (XPath TEXKitDesRequest/TKRbody/TKRitem/kitAccessory/csRange/sizeMatrix/sizeRow) 1-99 (P)
supplier	details of the Supplier (party that supplies the good or service that is object of the current collaborative process) - base type: Nad, (XPath TEXKitDesRequest/TRheader/supplier) 1-1 (AP)
texCode	full codification of the textile product (XPath TEXKitDesRequest/TKRbody/TKRitem/kitFabric/texCode) 1-2 (P)
thirdParty	details of the Third Party, different from Sender and Receiver of the document - base type: Nad, (XPath TEXKitDesRequest/TKRbody/TKRitem/thirdParty) 0-3 (AP) - note: <i>here at least the Subcontractor to which the kit must be consigned have to be indicated, when not already specified in the Header</i> (XPath TEXKitDesRequest/TRheader/thirdParty) 0-5 (AP) - note: <i>here the Consignee when different from the Client must be specified</i>
TKRbody	body of the document GARMENT KIT DESPATCH REQUEST (XPath TEXKitDesRequest/TKRbody) 1-1
TKRitem	line item of the document GARMENT KIT DESPATCH REQUEST (XPath TEXKitDesRequest/TKRbody/TKRitem) 1-unbounded (P)
trade	general terms of trade for the specified supply (XPath TEXKitDesRequest/trade) 0-1 - note: <i>The general terms of trade to be send to the delivery party</i>

transInfo	<p>details of transport: mode, carrier and delivery place (XPath TEXKitDesRequest/TKRbody/TKRitem/shipInfo/transInfo) 0-9 (AP) - note: <i>this data group can be iterated for each transport leg. They have to be in ordered sequence from initial place up to the final delivery place.</i> (XPath TEXKitDesRequest/shipInfo/transInfo) 0-9 (AP) - note: <i>this data group can be iterated for each transport leg. They have to be in ordered sequence from initial place up to the final delivery place.</i></p>
TRheader	<p>header of the TEXTILES DESPATCH REQUEST (XPath TEXKitDesRequest/TRheader) 1-1 (P)</p>
yarnInWrap	<p>details specifying the inner wrapping of a yarn product (XPath TEXKitDesRequest/TKRbody/TKRitem/shipInfo/packages/handlingChar/yarnPack/yarnInWrap) 0-1 (XPath TEXKitDesRequest/shipInfo/packages/handlingChar/yarnPack/yarnInWrap) 0-1</p>
yarnPack	<p>details of type of presentation used for the yarn (XPath TEXKitDesRequest/TKRbody/TKRitem/shipInfo/packages/handlingChar/yarnPack) 0-1 (XPath TEXKitDesRequest/shipInfo/packages/handlingChar/yarnPack) 0-1</p>
yarnReel	<p>details of the packaging of a yarn product (bobbin and reel,...) (XPath TEXKitDesRequest/shipInfo/packages/handlingChar/yarnPack/yarnReel) 1-1 (XPath TEXKitDesRequest/TKRbody/TKRitem/shipInfo/packages/handlingChar/yarnPack/yarnReel) 1-1</p>

2.2.2 Simple elements (Basic Business Information Entities)

Simple elements are those elements whose content is characterized by a data type plus a domain of possible values. Simple elements are alphabetically ordered.

acsName	<p>denomination of an accessory product usually coupled with garment - base type: string, max length: 100, (XPath TEXKitDesRequest/TKRbody/TKRitem/kitAccessory/acsName) 0-1 (U)</p>
acsPackCode	<p>code specifying the type of wrapping or packing used for the accessory - base type: string, (XPath TEXKitDesRequest/TKRbody/TKRitem/kitAccessory/acsPack/acsPackCode) 1-1 (AU) (XPath TEXKitDesRequest/shipInfo/packages/handlingChar/acsPack/acsPackCode) 1-1 (AU) (XPath TEXKitDesRequest/TKRbody/TKRitem/shipInfo/packages/handlingChar/acsPack/acsPackCode) 1-1 (AU)</p>
acsPackText	<p>free text specifying the type of wrapping or packing used for the accessory - base type: string, max length: 250, (XPath TEXKitDesRequest/TKRbody/TKRitem/shipInfo/packages/handlingChar/acsPack/acsPackText) 1-1 (U) (XPath TEXKitDesRequest/shipInfo/packages/handlingChar/acsPack/acsPackText) 1-1 (U) (XPath TEXKitDesRequest/TKRbody/TKRitem/kitAccessory/acsPack/acsPackText) 1-1 (U)</p>
actualItemsPerPackage	<p>the quantity of items actually contained in the package - base type: decimal, (XPath TEXKitDesRequest/shipInfo/actualPackageUnit/actualItemsPerPackage) 0-1 (N) (XPath TEXKitDesRequest/TKRbody/TKRitem/shipInfo/actualPackageUnit/actualItemsPerPackage) 0-1 (N)</p>
added	<p>additional code of the product (complementing the formers) - base type: string, max length: 80,</p>

	<p>(XPath <code>TEXKitDesRequest/TKRbody/TKRitem/kitFabric/texCode/added</code>) 0-9 - note: <i>here an additional codification (see table T44) can be specified</i> (XPath <code>TEXKitDesRequest/TKRbody/TKRitem/kitAccessory/acsCode/added</code>) 0-9 - note: <i>here an additional codification (see table T44) can be specified</i></p>
additionalComponentCode	<p>an additional code to identify a fashion product or a part of it (it is a way to codify the item, but it is not one of the codes to identify it). It is not a serial identifier. - base type: string, (XPath <code>TEXKitDesRequest/TKRbody/TKRitem/kitAccessory/csRange/sizeMatrix/sizeRow/additionalComponentCode</code>) 0-9 (N)</p>
additionalIdentifier	<p>additional identification code of a Party, for example customs registries or others - base type: string, max length: 15, (XPath <code>TEXKitDesRequest/TRheader/buyer/additionalIdentifier</code>) 0-9 (N) - note: <i>identifiers for example for exports, such as MID (Manufacturer Identification Code), EORI (E.O.R.I. - Economic Operator Registration and Identification)</i> (XPath <code>TEXKitDesRequest/TRheader/supplier/additionalIdentifier</code>) 0-9 (N) - note: <i>identifiers for example for exports, such as MID (Manufacturer Identification Code), EORI (E.O.R.I. - Economic Operator Registration and Identification)</i></p>
@addType	<p>qualifier of the additional coding of a product - base type: string, cod. table: T44 http://www.ebiz.enea.it/moda-ml/repository/codelist/v2018-1/gc_T44.xml (XPath <code>TEXKitDesRequest/TKRbody/TKRitem/kitAccessory/acsCode/added/@addType</code>) [Optional] - nota: <i>addType allows the clarification of the meaning of the added element content; it is strongly suggested to use it always.</i> (XPath <code>TEXKitDesRequest/TKRbody/TKRitem/kitFabric/texCode/added/@addType</code>) [Optional] - nota: <i>addType allows the clarification of the meaning of the added element content; it is strongly suggested to use it always.</i></p>
art	<p>article number of the product - base type: string, max length: 80, (XPath <code>TEXKitDesRequest/TKRbody/TKRitem/kitAccessory/acsCode/art</code>) 1-1 (U) (XPath <code>TEXKitDesRequest/TKRbody/TKRitem/kitFabric/texCode/art</code>) 1-1 (U) - note: <i>can be used either for the base-article (excluding pattern/colour) or for the SKU</i></p>
binaryObject	<p>a binary large object containing an attached document, Coding 'base64Binary' is recommended. - base type: base64Binary, (XPath <code>TEXKitDesRequest/TRheader/refDoc/attachment/binaryObject</code>) 0-1 (N) (XPath <code>TEXKitDesRequest/TKRbody/TKRitem/refDoc/attachment/binaryObject</code>) 0-1 (N)</p>
carrier	<p>identification of the transport carrier - base type: string, max length: 40, (XPath <code>TEXKitDesRequest/TKRbody/TKRitem/shipInfo/transInfo/carrier</code>) 0-1 (XPath <code>TEXKitDesRequest/shipInfo/transInfo/carrier</code>) 0-1</p>
@characterSet	<p>the character set of the binary object (examples UTF-8, UTF-16, Windows-1252, ISO-8859-7,..) - base type: normalizedString, (XPath <code>TEXKitDesRequest/TRheader/refDoc/attachment/binaryObject/@characterSet</code>) [Optional] (N) (XPath <code>TEXKitDesRequest/TKRbody/TKRitem/refDoc/attachment/binaryObject/@characterSet</code>) [Optional] (Na)</p>

characterSetCode	<p>the character set of an external document (examples UTF-8, UTF-16, Windows-1252, ISO-8859-7,...)</p> <ul style="list-style-type: none"> - base type: normalizedString, (XPath <code>TEXKitDesRequest/TRheader/refDoc/attachment/externalReference/characterSetCode</code>) 0-1 (N) (XPath <code>TEXKitDesRequest/TKRbody/TKRitem/refDoc/attachment/externalReference/characterSetCode</code>) 0-1 (N)
city	<p>name of the city (town, village)</p> <ul style="list-style-type: none"> - base type: string, max length: 40, (XPath <code>TEXKitDesRequest/TKRbody/TKRitem/thirdParty/city</code>) 0-1 (XPath <code>TEXKitDesRequest/TRheader/supplier/city</code>) 0-1 (XPath <code>TEXKitDesRequest/TRheader/buyer/city</code>) 0-1 (XPath <code>TEXKitDesRequest/TRheader/thirdParty/city</code>) 0-1
@codeList	<p>it specifies the URL where the list of codes used to make an instance of the element can be found</p> <ul style="list-style-type: none"> - base type: string, max length: 255, (XPath <code>TEXKitDesRequest/TKRbody/TKRitem/kitAccessory/csRange/sizeMatrix/sizeRow/additionalComponentCode/@codeList</code>) [Optional] (a) - nota: <i>at least one out of this attribute and "numberingOrg" should be set</i> (XPath <code>TEXKitDesRequest/TRheader/refDoc/season/@codeList</code>) [Optional] (a) - nota: <i>this attribute should be used either single or coupled with "listName" and "listVersion"</i> (XPath <code>TEXKitDesRequest/shipInfo/packages/handlingChar/note/@codeList</code>) [Optional] - nota: <i>must be used to provide (URL) the list of codes used in "noteLabel"</i> (XPath <code>TEXKitDesRequest/TKRbody/TKRitem/kitAccessory/acsCode/art/@codeList</code>) [Optional] - nota: <i>at least one out of this attribute and "numberingOrg" should be set</i> (XPath <code>TEXKitDesRequest/TKRbody/TKRitem/shipInfo/packages/handlingChar/acsPack/acsPackCode/@codeList</code>) [Optional] (a) - nota: <i>at least one out of this attribute and "numberingOrg" should be set</i> (XPath <code>TEXKitDesRequest/TKRbody/TKRitem/kitAccessory/itemsList/qualityLevel/@codeList</code>) [Optional] (a) - nota: <i>at least one out of this attribute and "numberingOrg" should be set</i> (XPath <code>TEXKitDesRequest/shipInfo/actualPackageUnit/itemsList/qualityLevel/@codeList</code>) [Optional] (a) - nota: <i>at least one out of this attribute and "numberingOrg" should be set</i> (XPath <code>TEXKitDesRequest/TKRbody/TKRitem/kitAccessory/acsCode/pattern/@codeList</code>) [Optional] - nota: <i>at least one out of this attribute and "numberingOrg" should be set</i> (XPath <code>TEXKitDesRequest/TKRbody/TKRitem/shipInfo/packages/handlingChar/garPack/garPackCode/@codeList</code>) [Optional] (a) - nota: <i>at least one out of this attribute and "numberingOrg" should be set</i> (XPath <code>TEXKitDesRequest/TKRbody/TKRitem/kitAccessory/acsCode/color/@codeList</code>) [Optional] - nota: <i>this attribute should be used either single or coupled with "listName" and "listVersion"</i> (XPath <code>TEXKitDesRequest/shipInfo/packages/handlingChar/garPack/garPackCode/@codeList</code>) [Optional] (a) - nota: <i>at least one out of this attribute and "numberingOrg" should be set</i> (XPath <code>TEXKitDesRequest/TKRbody/TKRitem/refDoc/season/@codeList</code>) [Optional] (a) - nota: <i>this attribute should be used either single or coupled with "listName" and "listVersion"</i> (XPath <code>TEXKitDesRequest/TKRbody/TKRitem/shipInfo/actualPackageUnit/itemsList/qualityLevel/@codeList</code>) [Optional] (a) - nota: <i>at least one out of this attribute and "numberingOrg" should be set</i> (XPath <code>TEXKitDesRequest/TKRbody/TKRitem/kitFabric/texCode/color/@codeList</code>) [Optional] - nota: <i>this attribute should be used either single or coupled with "listName" and "listVersion"</i>

	<p>(XPath <code>TEXKitDesRequest/TKRbody/TKRitem/kitAccessory/csRange/sizeMatrix/sizeRow/itemsList/qualityLevel/@codeList</code>) [Optional] (a)</p> <p>- nota: <i>at least one out of this attribute and "numberingOrg" should be set</i></p> <p>(XPath <code>TEXKitDesRequest/TKRbody/TKRitem/note/@codeList</code>) [Optional]</p> <p>- nota: <i>must be used to provide (URL) the list of codes used in "noteLabel"</i></p> <p>(XPath <code>TEXKitDesRequest/TKRbody/TKRitem/kitAccessory/csRange/sizeMatrix/sizeRow/drop/@codeList</code>) [Optional]</p> <p>(XPath <code>TEXKitDesRequest/TKRbody/TKRitem/kitAccessory/csRange/sizeMatrix/sizeRow/size/@codeList</code>) [Optional]</p> <p>(XPath <code>TEXKitDesRequest/TKRbody/TKRitem/shipInfo/actualPackageUnit/note/@codeList</code>) [Optional]</p> <p>- nota: <i>must be used to provide (URL) the list of codes used in "noteLabel"</i></p> <p>(XPath <code>TEXKitDesRequest/TKRbody/TKRitem/shipInfo/packages/handlingChar/note/@codeList</code>) [Optional]</p> <p>- nota: <i>must be used to provide (URL) the list of codes used in "noteLabel"</i></p> <p>(XPath <code>TEXKitDesRequest/TKRbody/TKRitem/kitAccessory/csRange/color/@codeList</code>) [Optional]</p> <p>- nota: <i>this attribute should be used either single or coupled with "listName" and "listVersion"</i></p> <p>(XPath <code>TEXKitDesRequest/TKRbody/TKRitem/kitAccessory/csRange/drop/@codeList</code>) [Optional]</p> <p>(XPath <code>TEXKitDesRequest/TRheader/note/@codeList</code>) [Optional]</p> <p>- nota: <i>must be used to provide (URL) the list of codes used in "noteLabel"</i></p> <p>(XPath <code>TEXKitDesRequest/TKRbody/TKRitem/kitAccessory/csRange/garmentVariant/variantCode/@codeList</code>) [Optional] (a)</p> <p>- nota: <i>at least one out of this attribute and "numberingOrg" should be set</i></p> <p>(XPath <code>TEXKitDesRequest/shipInfo/actualPackageUnit/note/@codeList</code>) [Optional]</p> <p>- nota: <i>must be used to provide (URL) the list of codes used in "noteLabel"</i></p> <p>(XPath <code>TEXKitDesRequest/TKRbody/TKRitem/kitAccessory/csRange/garmentVariant/variantType/@codeList</code>) [Optional] (a)</p> <p>- nota: <i>always at least one out of this attribute and "numberingOrg" should be set</i></p> <p>(XPath <code>TEXKitDesRequest/TKRbody/TKRitem/kitAccessory/acsPack/acsPackCode/@codeList</code>) [Optional] (a)</p> <p>- nota: <i>at least one out of this attribute and "numberingOrg" should be set</i></p> <p>(XPath <code>TEXKitDesRequest/TKRbody/TKRitem/kitFabric/texCode/art/@codeList</code>) [Optional]</p> <p>- nota: <i>at least one out of this attribute and "numberingOrg" should be set</i></p> <p>(XPath <code>TEXKitDesRequest/TKRbody/TKRitem/kitFabric/texCode/pattern/@codeList</code>) [Optional]</p> <p>- nota: <i>at least one out of this attribute and "numberingOrg" should be set</i></p> <p>(XPath <code>TEXKitDesRequest/shipInfo/packages/handlingChar/acsPack/acsPackCode/@codeList</code>) [Optional] (a)</p> <p>- nota: <i>at least one out of this attribute and "numberingOrg" should be set</i></p>
color	<p>colour number of the product, when not included in the model or fabric code</p> <p>- base type: string, max length: 15,</p> <p>(XPath <code>TEXKitDesRequest/TKRbody/TKRitem/kitAccessory/csRange/color</code>) 0-1</p> <p>- note: <i>used only if not already specified in the article code</i></p> <p>(XPath <code>TEXKitDesRequest/TKRbody/TKRitem/kitAccessory/acsCode/color</code>) 0-1</p> <p>(XPath <code>TEXKitDesRequest/TKRbody/TKRitem/kitFabric/texCode/color</code>) 0-1</p>
country	<p>code of the nation</p> <p>- base type: string, cod. table: T10</p> <p>http://www.ebiz.enea.it/moda-ml/repository/codelist/v2018-1/gc_T10.xml</p> <p>(XPath <code>TEXKitDesRequest/TRheader/thirdParty/country</code>) 0-1</p> <p>(XPath <code>TEXKitDesRequest/TRheader/supplier/country</code>) 0-1</p> <p>(XPath <code>TEXKitDesRequest/TKRbody/TKRitem/thirdParty/country</code>) 0-1</p> <p>(XPath <code>TEXKitDesRequest/TRheader/buyer/country</code>) 0-1</p>
@dateForm	<p>format used for the date</p> <p>- base type: string, cod. table: NT29</p> <p>http://www.ebiz.enea.it/moda-ml/repository/codelist/v2018-1/gc_NT29.xml</p>

	<p>(XPath TEXKitDesRequest/TKRbody/TKRitem/shipInfo/transInfo/delEffectiveDate/@dateForm) [Optional]</p> <p>(XPath TEXKitDesRequest/TKRbody/TKRitem/shipInfo/transInfo/despatchDate/@dateForm) [Optional] (a)</p> <p>(XPath TEXKitDesRequest/TRheader/msgDate/@dateForm) [Optional]</p> <p>(XPath TEXKitDesRequest/TKRbody/TKRitem/shipInfo/delEffectiveDate/@dateForm) [Optional]</p> <p>(XPath TEXKitDesRequest/shipInfo/transInfo/delEffectiveDate/@dateForm) [Optional]</p> <p>(XPath TEXKitDesRequest/shipInfo/delEffectiveDate/@dateForm) [Optional]</p> <p>(XPath TEXKitDesRequest/TKRbody/TKRitem/refDoc/docDate/@dateForm) [Optional]</p> <p>(XPath TEXKitDesRequest/TRheader/refDoc/docDate/@dateForm) [Optional]</p> <p>(XPath TEXKitDesRequest/shipInfo/transInfo/despatchDate/@dateForm) [Optional] (a)</p>
delEffectiveDate	<p>effective date of delivery of goods (declared in Despatch), according to one of the patterns YYYY-MM-DD, YYYY-MM-DD:HH-MM or YYYY-WW.</p> <p>- base type: string,</p> <p>(XPath TEXKitDesRequest/TKRbody/TKRitem/shipInfo/transInfo/delEffectiveDate) 0-1</p> <p>(XPath TEXKitDesRequest/TKRbody/TKRitem/shipInfo/delEffectiveDate) 0-1</p> <p>(XPath TEXKitDesRequest/shipInfo/delEffectiveDate) 0-1</p> <p>(XPath TEXKitDesRequest/shipInfo/transInfo/delEffectiveDate) 0-1 (p)</p>
deliveryPlace	<p>place of delivery of goods, ultimate or related to a given leg</p> <p>- base type: string, max length: 250,</p> <p>(XPath TEXKitDesRequest/shipInfo/transInfo/deliveryPlace) 0-1 (U)</p> <p>(XPath TEXKitDesRequest/TKRbody/TKRitem/shipInfo/transInfo/deliveryPlace) 0-1 (U)</p>
dept	<p>name or code of a contact department within a Party</p> <p>- base type: string, max length: 40,</p> <p>(XPath TEXKitDesRequest/TRheader/buyer/dept) 0-1</p> <p>(XPath TEXKitDesRequest/TRheader/thirdParty/dept) 0-1</p> <p>(XPath TEXKitDesRequest/TRheader/supplier/dept) 0-1</p> <p>(XPath TEXKitDesRequest/TKRbody/TKRitem/thirdParty/dept) 0-1</p>
description	<p>free text description. The content of the element must be unique, it might be translated and repeated into more languages (thus no more than one instance for each language).</p> <p>- base type: string, max length: 250,</p> <p>(XPath TEXKitDesRequest/shipInfo/packages/description) 0-unbounded (AU)</p> <p>(XPath TEXKitDesRequest/TKRbody/TKRitem/kitFabric/texCode/description) 0-unbounded (pAU)</p> <p>- note: <i>Product description</i></p> <p>(XPath TEXKitDesRequest/TKRbody/TKRitem/shipInfo/packages/description) 0-unbounded (AU)</p> <p>(XPath TEXKitDesRequest/TKRbody/TKRitem/kitAccessory/acsCode/description) 0-unbounded (AU)</p> <p>- note: <i>Product description</i></p>
despatchDate	<p>date of despatch of goods, requested or promised in the purchase process, according to one of the patterns YYYY-MM-DD, YYYY-MM-DD:HH-MM or YYYY-WW.</p> <p>- base type: string,</p> <p>(XPath TEXKitDesRequest/TKRbody/TKRitem/shipInfo/transInfo/despatchDate) 0-1 (N)</p> <p>(XPath TEXKitDesRequest/shipInfo/transInfo/despatchDate) 0-1 (N)</p>
despatchPlace	<p>place of despatch of goods, origin or related to a given leg</p> <p>- base type: string, max length: 250,</p> <p>(XPath TEXKitDesRequest/shipInfo/transInfo/despatchPlace) 0-1 (N)</p> <p>(XPath TEXKitDesRequest/TKRbody/TKRitem/shipInfo/transInfo/despatchPlace) 0-1 (N)</p>

docDate	<p>date of issue of the referenced document, according to one of the patterns Y YYY-MM-DD, YYYY-MM-DD:HH-MM or YYYY-WW. - base type: string, (XPath TEXKitDesRequest/TKRbody/TKRitem/refDoc/docDate) 0-1 (XPath TEXKitDesRequest/TRheader/refDoc/docDate) 0-1</p>
docID	<p>identification number of the referenced document SINCE 2008-1 ITS USE I N THE HEADER IS DISCOURAGED (REPLACED BY msgID) - base type: string, max length: 80, (XPath TEXKitDesRequest/TRheader/refDoc/docID) 1-2 (p)</p> <hr/> <p>AAAA-WARNING! - text not AVAILABLE n. 245 - In=en (XPath TEXKitDesRequest/TRheader/docID) 0-1 (XPath TEXKitDesRequest/TKRbody/TKRitem/refDoc/docID) 1-2 (p)</p> <hr/> <p>AAAA-WARNING! - text not AVAILABLE n. 245 - In=en</p>
@docType	<p>type or class to which the referenced document belongs - base type: string, cod. table: T21 http://www.ebiz.enea.it/moda-ml/repository/codelist/v2018-1/gc_T21.xml (XPath TEXKitDesRequest/TRheader/refDoc/@docType) [Required] (XPath TEXKitDesRequest/TKRbody/TKRitem/refDoc/@docType) [Required]</p>
drop	<p>drop number of the garment - base type: string, max length: 15, (XPath TEXKitDesRequest/TKRbody/TKRitem/kitAccessory/ csRange/drop) 0-1 (A) - note: <i>used only if not already specified in the article code</i> (XPath TEXKitDesRequest/TKRbody/TKRitem/kitAccessory/ csRange/sizeMatrix/sizeRow/drop) 0-1 (A) - note: <i>DEPRECATED, anyhow it is used only if not already specified in the article code or csRange</i></p>
dyeN	<p>number of the dying batch of a textile product - base type: string, max length: 15, (XPath TEXKitDesRequest/TKRbody/TKRitem/kitFabric/piece/dyeN) 0-1</p>
@email	<p>electronic mail address of the contact person within a Party - base type: string, max length: 250, (XPath TEXKitDesRequest/TKRbody/TKRitem/thirdParty/person/@email) [Optional] (XPath TEXKitDesRequest/TRheader/buyer/person/@email) [Optional] (XPath TEXKitDesRequest/TRheader/supplier/person/@email) [Optional] (XPath TEXKitDesRequest/TRheader/thirdParty/person/@email) [Optional]</p>
@encoding	<p>specifies the decoding algorithm of the binary object - base type: normalizedString, (XPath TEXKitDesRequest/TKRbody/TKRitem/refDoc/ attachment/binaryObject/@encoding) [Optional] (Na) (XPath TEXKitDesRequest/TRheader/refDoc/attachment/ binaryObject/@encoding) [Optional] (N)</p>
encodingCode	<p>the encoding/decoding algorithm used with the external object (example is ' base64Binary') - base type: normalizedString, (XPath TEXKitDesRequest/TRheader/refDoc/attachment/ externalReference/encodingCode) 0-1 (N) (XPath TEXKitDesRequest/TKRbody/TKRitem/refDoc/ attachment/externalReference/encodingCode) 0-1 (N)</p>
@endUse	<p>specifies the final use of the fabric - base type: string, cod. table: NT4 http://www.ebiz.enea.it/moda-ml/repository/codelist/v2018-1/gc_NT4.xml (XPath TEXKitDesRequest/TKRbody/TKRitem/kitFabric/piece/@endUse) [Optional]</p>
EPC	<p>serial identifier used for tracing a physical item with RFID technology - base type: string, (XPath TEXKitDesRequest/TKRbody/TKRitem/kitFabric/piece/EPC) 0-1</p>

	<p>- note: <i>the use of this element is DEPRECATED, use the appropriate elements (serialN)</i></p> <p>(XPath <code>TEXKitDesRequest/TKRbody/TKRitem/shipInfo/packages/EPCList/EPC</code>) 1-unbounded</p> <p>(XPath <code>TEXKitDesRequest/shipInfo/packages/EPCList/EPC</code>) 1-unbounded</p>
@fax	<p>fax number of the contact person within a Party</p> <p>- base type: string, max length: 35,</p> <p>(XPath <code>TEXKitDesRequest/TRheader/supplier/person/@fax</code>) [Optional]</p> <p>(XPath <code>TEXKitDesRequest/TRheader/buyer/person/@fax</code>) [Optional]</p> <p>(XPath <code>TEXKitDesRequest/TKRbody/TKRitem/thirdParty/person/@fax</code>) [Optional]</p> <p>(XPath <code>TEXKitDesRequest/TRheader/thirdParty/person/@fax</code>) [Optional]</p>
@fibre	<p>type of fibre used in a textile product</p> <p>- base type: string, cod. table: T19</p> <p>http://www.ebiz.enea.it/moda-ml/repository/codelist/v2018-1/gc_T19.xml</p> <p>(XPath <code>TEXKitDesRequest/TKRbody/TKRitem/kitFabric/fabricCompos/percCompos/@fibre</code>) [Required]</p>
fileName	<p>unique identifier (name) of the file</p> <p>- base type: string, max length: 255,</p> <p>(XPath <code>TEXKitDesRequest/TKRbody/TKRitem/refDoc/attachment/fileName</code>) 0-1 (N)</p> <p>(XPath <code>TEXKitDesRequest/TRheader/refDoc/attachment/fileName</code>) 0-1 (N)</p>
fillingCriterion	<p>the assortment criterion to fill the specified kind of package: it states the homogeneity criterion (eg: "model", "color", "size").</p> <p>- base type: string, cod. table: NT51</p> <p>http://www.ebiz.enea.it/moda-ml/repository/codelist/v2018-1/gc_NT51.xml</p> <p>(XPath <code>TEXKitDesRequest/TKRbody/TKRitem/shipInfo/packages/fillingCriterion</code>) 0-9 (N)</p> <p>(XPath <code>TEXKitDesRequest/shipInfo/packages/fillingCriterion</code>) 0-9 (N)</p>
@format	<p>the format of the binary content (examples xml, pdf, doc,...)</p> <p>- base type: string,</p> <p>(XPath <code>TEXKitDesRequest/TRheader/refDoc/attachment/binaryObject/@format</code>) [Optional] (N)</p> <p>(XPath <code>TEXKitDesRequest/TKRbody/TKRitem/refDoc/attachment/binaryObject/@format</code>) [Optional] (Na)</p>
formatCode	<p>the format of the external object (examples xml, pdf, doc,...)</p> <p>- base type: normalizedString,</p> <p>(XPath <code>TEXKitDesRequest/TRheader/refDoc/attachment/externalReference/formatCode</code>) 0-1 (N)</p> <p>(XPath <code>TEXKitDesRequest/TKRbody/TKRitem/refDoc/attachment/externalReference/formatCode</code>) 0-1 (N)</p>
garPackCode	<p>a code specifying the type of packaging used for the item.</p> <p>- base type: string,</p> <p>(XPath <code>TEXKitDesRequest/shipInfo/packages/handlingChar/garPack/garPackCode</code>) 1-1 (N)</p> <p>(XPath <code>TEXKitDesRequest/TKRbody/TKRitem/shipInfo/packages/handlingChar/garPack/garPackCode</code>) 1-1 (N)</p>
garPackText	<p>a free text specifying the type of packaging used for the item.</p> <p>- base type: string,</p> <p>(XPath <code>TEXKitDesRequest/shipInfo/packages/handlingChar/garPack/garPackText</code>) 1-1 (N)</p> <p>(XPath <code>TEXKitDesRequest/TKRbody/TKRitem/shipInfo/packages/handlingChar/garPack/garPackText</code>) 1-1 (N)</p>
grossWeight	<p>the gross weight, declared for transport or customs purpose</p> <p>- base type: decimal, min inclusive: 0, fraction digits: 2,</p> <p>(XPath <code>TEXKitDesRequest/shipInfo/transInfo/grossWeight</code>) 0-1</p> <p>(XPath <code>TEXKitDesRequest/shipInfo/packages/handlingChar/grossWeight</code>) 0-1</p> <p>(XPath <code>TEXKitDesRequest/TKRbody/TKRitem/shipInfo/packages/handlingChar/grossWeight</code>) 0-1</p> <p>(XPath <code>TEXKitDesRequest/TKRbody/TKRitem/shipInfo/actualPackageUnit/grossWeight</code>) 0-1</p>

	<p>(XPath TEXKitDesRequest/shipInfo/actualPackageUnit/grossWeight) 0-1 (XPath TEXKitDesRequest/TKRbody/TKRitem/shipInfo/transInfo/grossWeight) 0-1 (XPath TEXKitDesRequest/TKRbody/TKRitem/kitFabric/piece/grossWeight) 0-1 (p) - note: <i>gross Weight is related to the weight of the piece after packing.</i></p>
handlingType	<p>information to handle the item (eg "breakable"). - base type: string, (XPath TEXKitDesRequest/TKRbody/TKRitem/shipInfo/packages/handlingChar/handlingType) 0-1 (N) (XPath TEXKitDesRequest/shipInfo/packages/handlingChar/handlingType) 0-1 (N)</p>
height	<p>effective height of a specified object - base type: decimal, min inclusive: 0, fraction digits: 2, (XPath TEXKitDesRequest/TKRbody/TKRitem/shipInfo/packages/packageDim/height) 0-1 (XPath TEXKitDesRequest/shipInfo/packages/packageDim/height) 0-1 (XPath TEXKitDesRequest/TKRbody/TKRitem/shipInfo/actualPackageUnit/packageDim/height) 0-1 (XPath TEXKitDesRequest/shipInfo/actualPackageUnit/packageDim/height) 0-1</p>
id	<p>primary identification code of a Party; it is recommended the format: nation code (ISO 3166) + VAT identification number (11 crt), with the qualifier "numberingOrg"= MF - base type: string, max length: 15, (XPath TEXKitDesRequest/TRheader/buyer/id) 1-1 (p) (XPath TEXKitDesRequest/TRheader/supplier/id) 1-1 (XPath TEXKitDesRequest/TKRbody/TKRitem/thirdParty/id) 1-1 (XPath TEXKitDesRequest/TRheader/thirdParty/id) 1-1</p>
@idQualifier	<p>Qualification of the identifier. - base type: string, (XPath TEXKitDesRequest/TKRbody/TKRitem/shipInfo/actualPackageUnit/itemsList/itemIdentification/serialN/@idQualifier) [Optional] (N) - nota: <i>this attribute should be used when the numberingOrg attribute is not enough to declare the type of serial identifier</i> (XPath TEXKitDesRequest/TKRbody/TKRitem/shipInfo/actualPackageUnit/packagelidentification/serialN/@idQualifier) [Optional] (N) - nota: <i>this attribute should be used when the numberingOrg attribute is not enough to declare the type of serial identifier</i> (XPath TEXKitDesRequest/shipInfo/actualPackageUnit/packagesList/packagelidentification/serialN/@idQualifier) [Optional] (N) - nota: <i>this attribute should be used when the numberingOrg attribute is not enough to declare the type of serial identifier</i> (XPath TEXKitDesRequest/TRheader/supplier/additionalIdentifier/@idQualifier) [Optional] (Na) - nota: <i>this attribute should be used when the numberingOrg attribute is not enough to declare the type of identifier</i> (XPath TEXKitDesRequest/TKRbody/TKRitem/shipInfo/actualPackageUnit/packagesList/packagelidentification/serialN/@idQualifier) [Optional] (N) - nota: <i>this attribute should be used when the numberingOrg attribute is not enough to declare the type of serial identifier</i> (XPath TEXKitDesRequest/TKRbody/TKRitem/kitAccessory/csRange/sizeMatrix/sizeRow/itemsList/itemIdentification/serialN/@idQualifier) [Optional] (N) - nota: <i>this attribute should be used when the numberingOrg attribute is not enough to declare the type of serial identifier</i> (XPath TEXKitDesRequest/TKRbody/TKRitem/kitAccessory/itemsList/itemIdentification/serialN/@idQualifier) [Optional] (N) - nota: <i>this attribute should be used when the numberingOrg attribute is not enough to declare the type of serial identifier</i></p>

	<p>(XPath TEXKitDesRequest/shipInfo/actualPackageUnit/itemsList/itemIdentification/serialN/@idQualifier) [Optional] (N)</p> <p>- nota: <i>this attribute should be used when the numberingOrg attribute is not enough to declare the type of serial identifier</i></p> <p>(XPath TEXKitDesRequest/TRheader/buyer/additionalIdentifier/@idQualifier) [Optional] (Na)</p> <p>- nota: <i>this attribute should be used when the numberingOrg attribute is not enough to declare the type of identifier</i></p> <p>(XPath TEXKitDesRequest/shipInfo/actualPackageUnit/packageIdentification/serialN/@idQualifier) [Optional] (N)</p> <p>- nota: <i>this attribute should be used when the numberingOrg attribute is not enough to declare the type of serial identifier</i></p> <p>(XPath TEXKitDesRequest/TKRbody/TKRitem/kitFabric/piece/serialN/@idQualifier) [Optional] (N)</p> <p>- nota: <i>this attribute should be used when the numberingOrg attribute is not enough to declare the type of serial identifier</i></p>
incoTerm	<p>specification of the terms of trade (INCOTERMS)</p> <p>- base type: string, cod. table: T3</p> <p>http://www.ebiz.enea.it/moda-ml/repository/codelist/v2018-1/gc_T3.xml</p> <p>(XPath TEXKitDesRequest/trade/incoTerm) 1-1</p>
incoTermText	<p>free text specifying the terms of trade (incoterm, location)</p> <p>- base type: string, max length: 250,</p> <p>(XPath TEXKitDesRequest/trade/incoTermText) 1-1 (U)</p>
@isURL	<p>it indicates if the referred element is an URL (true) or not (false)</p> <p>- base type: boolean,</p> <p>(XPath TEXKitDesRequest/TRheader/refDoc/attachment/externalReference/uri/@isURL) [Optional] [Default= true] (Na)</p> <p>- nota: <i>usage of URLs is recommended</i></p> <p>(XPath TEXKitDesRequest/TKRbody/TKRitem/refDoc/attachment/externalReference/uri/@isURL) [Optional] [Default= true] (Na)</p> <p>- nota: <i>usage of URLs is recommended</i></p>
itemID	<p>number of the line/item of the referenced document</p> <p>- base type: string, max length: 40,</p> <p>(XPath TEXKitDesRequest/TKRbody/TKRitem/refDoc/itemID) 0-1 (U)</p> <p>(XPath TEXKitDesRequest/TRheader/refDoc/itemID) 0-1 (U)</p>
itemsPerPackage	<p>the quantity of items that can be contained in a package.</p> <p>- base type: decimal,</p> <p>(XPath TEXKitDesRequest/TKRbody/TKRitem/shipInfo/packages/itemsPerPackage) 0-1 (N)</p> <p>(XPath TEXKitDesRequest/shipInfo/packages/itemsPerPackage) 0-1 (N)</p>
kitN	<p>identification number of a garment manufacturing kit</p> <p>- base type: string, max length: 15,</p> <p>(XPath TEXKitDesRequest/TKRbody/TKRitem/kitN) 1-1</p>
label	<p>indicates if the physical object specified has to be labelled</p> <p>- base type: boolean,</p> <p>(XPath TEXKitDesRequest/shipInfo/packages/handlingChar/yarnPack/yarnReel/label) 0-1</p> <p>(XPath TEXKitDesRequest/shipInfo/packages/handlingChar/yarnPack/yarnInWrap/label) 0-1</p> <p>(XPath TEXKitDesRequest/TKRbody/TKRitem/shipInfo/packages/handlingChar/yarnPack/yarnInWrap/label) 0-1</p> <p>(XPath TEXKitDesRequest/TKRbody/TKRitem/shipInfo/packages/handlingChar/yarnPack/yarnReel/label) 0-1</p>
labelWrit	<p>text that must be written on the lable of a specified physical object when its customization is required</p> <p>- base type: string, max length: 350,</p> <p>(XPath TEXKitDesRequest/shipInfo/packages/handlingChar/yarnPack/yarnReel/labelWrit) 0-1</p>

	<p>(XPath <code>TEXKitDesRequest/TKRbody/TKRitem/shipInfo/packages/handlingChar/yarnPack/yarnReel/labelWrit</code>) 0-1</p> <p>(XPath <code>TEXKitDesRequest/shipInfo/packages/handlingChar/yarnPack/yarnInWrap/labelWrit</code>) 0-1</p> <p>(XPath <code>TEXKitDesRequest/TKRbody/TKRitem/shipInfo/packages/handlingChar/yarnPack/yarnInWrap/labelWrit</code>) 0-1</p>
legalName	<p>legal name of a Party</p> <p>- base type: string, max length: 250,</p> <p>(XPath <code>TEXKitDesRequest/TRheader/supplier/legalName</code>) 0-1 (U)</p> <p>(XPath <code>TEXKitDesRequest/TRheader/buyer/legalName</code>) 0-1 (U)</p> <p>(XPath <code>TEXKitDesRequest/TKRbody/TKRitem/thirdParty/legalName</code>) 0-1 (U)</p> <p>(XPath <code>TEXKitDesRequest/TRheader/thirdParty/legalName</code>) 0-1 (U)</p>
length	<p>effective length of a specified object</p> <p>- base type: decimal, min inclusive: 0, fraction digits: 2,</p> <p>(XPath <code>TEXKitDesRequest/shipInfo/packages/packageDim/length</code>) 1-1</p> <p>- note: <i>here the maximum dimension must also be specified</i></p> <p>(XPath <code>TEXKitDesRequest/TKRbody/TKRitem/shipInfo/actualPackageUnit/packageDim/length</code>) 1-1</p> <p>- note: <i>here the maximum dimension must also be specified</i></p> <p>(XPath <code>TEXKitDesRequest/TKRbody/TKRitem/shipInfo/packages/packageDim/length</code>) 1-1</p> <p>- note: <i>here the maximum dimension must also be specified</i></p> <p>(XPath <code>TEXKitDesRequest/shipInfo/actualPackageUnit/packageDim/length</code>) 1-1</p> <p>- note: <i>here the maximum dimension must also be specified</i></p>
lineID	<p>unique identifier of the line item of the business document; it is set by the role that produces the document.</p> <p>- base type: string, max length: 30,</p> <p>(XPath <code>TEXKitDesRequest/TKRbody/TKRitem/lineID</code>) 0-1 (N)</p>
lineN	<p>number of the line item of the present message (xml document); it is set by the role that produces the document. Usually it is a progressive number, but not always.</p> <p>- base type: positiveInteger, min inclusive: 1, max inclusive: 9999,</p> <p>(XPath <code>TEXKitDesRequest/TKRbody/TKRitem/lineN</code>) 1-1</p>
@listName	<p>the name of the list of codes used to make an instance of the element (it might be thought as descriptive element, i.e. 'fabric printing technologies', or not, i.e. "T264")</p> <p>- base type: string, max length: 40,</p> <p>(XPath <code>TEXKitDesRequest/TKRbody/TKRitem/kitAccessory/csRange/sizeMatrix/sizeRow/size/@listName</code>) [Optional] (a)</p> <p>- nota: <i>this attribute should always be used coupled with "numberingOrg"</i></p> <p>(XPath <code>TEXKitDesRequest/TKRbody/TKRitem/kitAccessory/csRange/sizeMatrix/sizeRow/itemsList/qualityLevel/@listName</code>) [Optional] (a)</p> <p>- nota: <i>this attribute should always be used coupled with "numberingOrg"</i></p> <p>(XPath <code>TEXKitDesRequest/TKRbody/TKRitem/kitAccessory/csRange/sizeMatrix/sizeRow/additionalComponentCode/@listName</code>) [Optional] (a)</p> <p>- nota: <i>this attribute should always be used coupled with "numberingOrg"</i></p> <p>(XPath <code>TEXKitDesRequest/TKRbody/TKRitem/kitAccessory/csRange/sizeMatrix/sizeRow/drop/@listName</code>) [Optional] (a)</p> <p>- nota: <i>this attribute should always be used coupled with "numberingOrg"</i></p> <p>(XPath <code>TEXKitDesRequest/TKRbody/TKRitem/kitAccessory/acsPack/acsPackCode/@listName</code>) [Optional] (a)</p> <p>- nota: <i>this attribute should always be used coupled with "numberingOrg"</i></p> <p>(XPath <code>TEXKitDesRequest/TKRbody/TKRitem/shipInfo/packages/handlingChar/acsPack/acsPackCode/@listName</code>) [Optional] (a)</p> <p>- nota: <i>this attribute should always be used coupled with "numberingOrg"</i></p> <p>(XPath <code>TEXKitDesRequest/TKRbody/TKRitem/shipInfo/packages/handlingChar/garPack/garPackCode/@listName</code>) [Optional] (a)</p> <p>- nota: <i>this attribute should always be used coupled with "numberingOrg"</i></p>

	<p>(XPath TEXKitDesRequest/TKRbody/TKRitem/kitAccessory/ itemsList/qualityLevel/@listName) [Optional] (a)</p> <p>- nota: <i>this attribute should always be used coupled with “numberingOrg”</i></p> <p>(XPath TEXKitDesRequest/TKRbody/TKRitem/shipInfo/ actualPackageUnit/itemsList/qualityLevel/@listName) [Optional] (a)</p> <p>- nota: <i>this attribute should always be used coupled with “numberingOrg”</i></p> <p>(XPath TEXKitDesRequest/TKRbody/TKRitem/kitAccessory/ csRange/drop/@listName) [Optional] (a)</p> <p>- nota: <i>this attribute should always be used coupled with “numberingOrg”</i></p> <p>(XPath TEXKitDesRequest/TKRbody/TKRitem/kitFabric/ texCode/color/@listName) [Optional]</p> <p>- nota: <i>this attribute should always be used coupled with “numberingOrg”</i></p> <p>(XPath TEXKitDesRequest/TKRbody/TKRitem/kitAccessory/ acsCode/art/@listName) [Optional]</p> <p>- nota: <i>this attribute should always be used coupled with “numberingOrg”</i></p> <p>(XPath TEXKitDesRequest/TKRbody/TKRitem/kitFabric/ texCode/art/@listName) [Optional]</p> <p>- nota: <i>this attribute should always be used coupled with “numberingOrg”</i></p> <p>(XPath TEXKitDesRequest/TKRbody/TKRitem/kitFabric/ texCode/pattern/@listName) [Optional]</p> <p>- nota: <i>this attribute should always be used coupled with “numberingOrg”</i></p> <p>(XPath TEXKitDesRequest/TKRbody/TKRitem/kitAccessory/ acsCode/pattern/@listName) [Optional]</p> <p>- nota: <i>this attribute should always be used coupled with “numberingOrg”</i></p> <p>(XPath TEXKitDesRequest/TKRbody/TKRitem/kitAccessory/ csRange/garmentVariant/variantType/@listName) [Optional] (a)</p> <p>- nota: <i>this attribute should always be used coupled with “numberingOrg”</i></p> <p>(XPath TEXKitDesRequest/TKRbody/TKRitem/kitAccessory/ csRange/garmentVariant/variantCode/@listName) [Optional] (a)</p> <p>- nota: <i>this attribute should always be used coupled with “numberingOrg”</i></p> <p>(XPath TEXKitDesRequest/TKRbody/TKRitem/kitAccessory/ acsCode/color/@listName) [Optional]</p> <p>- nota: <i>this attribute should always be used coupled with “numberingOrg”</i></p> <p>(XPath TEXKitDesRequest/TKRbody/TKRitem/kitAccessory/ csRange/color/@listName) [Optional]</p> <p>- nota: <i>this attribute should always be used coupled with “numberingOrg”</i></p> <p>(XPath TEXKitDesRequest/shipInfo/packages/handlingChar/ acsPack/acsPackCode/@listName) [Optional] (a)</p> <p>- nota: <i>this attribute should always be used coupled with “numberingOrg”</i></p> <p>(XPath TEXKitDesRequest/shipInfo/packages/handlingChar/ garPack/garPackCode/@listName) [Optional] (a)</p> <p>- nota: <i>this attribute should always be used coupled with “numberingOrg”</i></p> <p>(XPath TEXKitDesRequest/TRheader/refDoc/season/@listName) [Optional] (a)</p> <p>- nota: <i>this attribute should always be used coupled with “numberingOrg”</i></p> <p>(XPath TEXKitDesRequest/shipInfo/actualPackageUnit/ itemsList/qualityLevel/@listName) [Optional] (a)</p> <p>- nota: <i>this attribute should always be used coupled with “numberingOrg”</i></p> <p>(XPath TEXKitDesRequest/TKRbody/TKRitem/refDoc/season/@listName) [Optional] (a)</p> <p>- nota: <i>this attribute should always be used coupled with “numberingOrg”</i></p>
<p>@listVersion</p>	<p>it specifies the version of the list of codes used to make an instance of the element</p> <p>- base type: string, max length: 6,</p> <p>(XPath TEXKitDesRequest/TKRbody/TKRitem/refDoc/season/@listVersion) [Optional] (a)</p> <p>- nota: <i>this attribute should always be used coupled with “numberingOrg” and “listName”</i></p> <p>(XPath TEXKitDesRequest/TKRbody/TKRitem/kitAccessory/ itemsList/qualityLevel/@listVersion) [Optional] (a)</p> <p>- nota: <i>this attribute should always be used coupled with “numberingOrg” and “listName”</i></p> <p>(XPath TEXKitDesRequest/TKRbody/TKRitem/kitAccessory/ acsPack/acsPackCode/@listVersion) [Optional] (a)</p>

- nota: *this attribute should always be used coupled with “numberingOrg” and “listName”*
(XPath TEXKitDesRequest/TKRbody/TKRitem/kitAccessory/
csRange/sizeMatrix/sizeRow/size/@listVersion) [Optional] (a)

- nota: *this attribute should always be used coupled with “numberingOrg” and “listName”*
(XPath TEXKitDesRequest/TKRbody/TKRitem/kitAccessory/
csRange/sizeMatrix/sizeRow/itemsList/qualityLevel/@listVersion) [Optional] (a)

- nota: *this attribute should always be used coupled with “numberingOrg” and “listName”*
(XPath TEXKitDesRequest/TRheader/refDoc/season/@listVersion) [Optional] (a)

- nota: *this attribute should always be used coupled with “numberingOrg” and “listName”*
(XPath TEXKitDesRequest/TKRbody/TKRitem/shipInfo/
packages/handlingChar/acsPack/acsPackCode/@listVersion) [Optional] (a)

- nota: *this attribute should always be used coupled with “numberingOrg” and “listName”*
(XPath TEXKitDesRequest/TKRbody/TKRitem/shipInfo/
packages/handlingChar/garPack/garPackCode/@listVersion) [Optional] (a)

- nota: *this attribute should always be used coupled with “numberingOrg” and “listName”*
(XPath TEXKitDesRequest/TKRbody/TKRitem/kitFabric/
texCode/color/@listVersion) [Optional]

- nota: *this attribute should always be used coupled with “numberingOrg” and “listName”*
(XPath TEXKitDesRequest/TKRbody/TKRitem/kitFabric/
texCode/art/@listVersion) [Optional]

- nota: *this attribute should always be used coupled with “numberingOrg” and “listName”*
(XPath TEXKitDesRequest/TKRbody/TKRitem/shipInfo/
actualPackageUnit/itemsList/qualityLevel/@listVersion) [Optional] (a)

- nota: *this attribute should always be used coupled with “numberingOrg” and “listName”*
(XPath TEXKitDesRequest/TKRbody/TKRitem/kitFabric/
texCode/pattern/@listVersion) [Optional]

- nota: *this attribute should always be used coupled with “numberingOrg” and “listName”*
(XPath TEXKitDesRequest/shipInfo/actualPackageUnit/
itemsList/qualityLevel/@listVersion) [Optional] (a)

- nota: *this attribute should always be used coupled with “numberingOrg” and “listName”*
(XPath TEXKitDesRequest/shipInfo/packages/handlingChar/
garPack/garPackCode/@listVersion) [Optional] (a)

- nota: *this attribute should always be used coupled with “numberingOrg” and “listName”*
(XPath TEXKitDesRequest/TKRbody/TKRitem/kitAccessory/
acsCode/color/@listVersion) [Optional]

- nota: *this attribute should always be used coupled with “numberingOrg” and “listName”*
(XPath TEXKitDesRequest/TKRbody/TKRitem/kitAccessory/
acsCode/pattern/@listVersion) [Optional]

- nota: *this attribute should always be used coupled with “numberingOrg” and “listName”*
(XPath TEXKitDesRequest/TKRbody/TKRitem/kitAccessory/
csRange/garmentVariant/variantCode/@listVersion) [Optional] (a)

- nota: *this attribute should always be used coupled with “numberingOrg” and “listName”*
(XPath TEXKitDesRequest/TKRbody/TKRitem/kitAccessory/
csRange/garmentVariant/variantType/@listVersion) [Optional] (a)

- nota: *this attribute should always be used coupled with “numberingOrg” and “listName”*
(XPath TEXKitDesRequest/TKRbody/TKRitem/kitAccessory/
csRange/drop/@listVersion) [Optional] (a)

	<p>- nota: <i>this attribute should always be used coupled with “numberingOrg” and “listName”</i> (XPath TEXKitDesRequest/TKRbody/TKRitem/kitAccessory/csRange/color/@listVersion) [Optional]</p> <p>- nota: <i>this attribute should always be used coupled with “numberingOrg” and “listName”</i> (XPath TEXKitDesRequest/TKRbody/TKRitem/kitAccessory/csRange/sizeMatrix/sizeRow/additionalComponentCode/@listVersion) [Optional] (a)</p> <p>- nota: <i>this attribute should always be used coupled with “numberingOrg” and “listName”</i> (XPath TEXKitDesRequest/TKRbody/TKRitem/kitAccessory/csRange/sizeMatrix/sizeRow/drop/@listVersion) [Optional] (a)</p> <p>- nota: <i>this attribute should always be used coupled with “numberingOrg” and “listName”</i> (XPath TEXKitDesRequest/TKRbody/TKRitem/kitAccessory/acsCode/art/@listVersion) [Optional]</p> <p>- nota: <i>this attribute should always be used coupled with “numberingOrg” and “listName”</i> (XPath TEXKitDesRequest/shipInfo/packages/handlingChar/acsPack/acsPackCode/@listVersion) [Optional] (a)</p> <p>- nota: <i>this attribute should always be used coupled with “numberingOrg” and “listName”</i></p>
@ln	<p>Language code. - base type: string, cod. table: NT60 http://www.ebiz.enea.it/moda-ml/repository/codelist/v2018-1/gc_NT60.xml (XPath TEXKitDesRequest/TKRbody/TKRitem/shipInfo/packages/handlingChar/handlingType/@ln) [Optional] (Na) (XPath TEXKitDesRequest/TKRbody/TKRitem/kitFabric/texCode/description/@ln) [Optional] (N) (XPath TEXKitDesRequest/shipInfo/packages/handlingChar/handlingType/@ln) [Optional] (N) (XPath TEXKitDesRequest/shipInfo/packages/description/@ln) [Optional] (N) (XPath TEXKitDesRequest/TKRbody/TKRitem/kitAccessory/acsCode/description/@ln) [Optional] (N) (XPath TEXKitDesRequest/TKRbody/TKRitem/shipInfo/packages/description/@ln) [Optional] (N)</p>
location	<p>specification of a location - base type: string, max length: 40, (XPath TEXKitDesRequest/trade/location) 0-1 - note: <i>place to which the INCOTERM applies</i></p>
@logo	<p>company logo (URL of the image jpeg or gif). It is recommended that the width of the image does not exceed 640 pixel. - base type: string, max length: 255, (XPath TEXKitDesRequest/TRheader/buyer/@logo) [Optional] (XPath TEXKitDesRequest/TRheader/supplier/@logo) [Optional]</p>
lotN	<p>lot number of a product or batch number of the raw material - base type: string, max length: 15, (XPath TEXKitDesRequest/TKRbody/TKRitem/kitFabric/piece/lotN) 0-2 (p) - note: <i>The lotN instances must differ by value of the numberingOrg attribute</i> (XPath TEXKitDesRequest/TKRbody/TKRitem/kitAccessory/lotN) 0-1</p>
@LRI	<p>attribute usable to format a string according to a customized User rule (local rule) - base type: string, cod. table: NT3 http://www.ebiz.enea.it/moda-ml/repository/codelist/v2018-1/gc_NT3.xml (XPath TEXKitDesRequest/trade/location/@LRI) [Optional]</p>
@mime	<p>the mime type of the binary object - base type: normalizedString, (XPath TEXKitDesRequest/TKRbody/TKRitem/refDoc/attachment/binaryObject/@mime) [Optional] (Na)</p>

	(XPath TEXKitDesRequest/TRheader/refDoc/attachment/binaryObject/@mime) [Optional] (N)
mimeCode	<p>mime type of the external object</p> <p>- base type: normalizedString,</p> <p>(XPath TEXKitDesRequest/TRheader/refDoc/attachment/externalReference/mimeCode) 0-1 (N)</p> <hr/> <p>AAAA-WARNING! - text not AVAILABLE n. 245 - In=en</p> <p>(XPath TEXKitDesRequest/TKRbody/TKRitem/refDoc/attachment/externalReference/mimeCode) 0-1 (N)</p> <hr/> <p>AAAA-WARNING! - text not AVAILABLE n. 245 - In=en</p>
minItemsPerPackage	<p>the minimum quantity of items for the specified kind of package.</p> <p>- base type: decimal, min inclusive: 0,</p> <p>(XPath TEXKitDesRequest/TKRbody/TKRitem/shipInfo/packages/minItemsPerPackage) 0-1 (N)</p> <p>(XPath TEXKitDesRequest/shipInfo/packages/minItemsPerPackage) 0-1 (N)</p>
mixMatch	<p>colour hue used for the match of garments</p> <p>- base type: string, max length: 15,</p> <p>(XPath TEXKitDesRequest/TKRbody/TKRitem/kitFabric/mixMatch) 0-1</p> <p>(XPath TEXKitDesRequest/TKRbody/TKRitem/kitAccessory/mixMatch) 0-1</p> <p>(XPath TEXKitDesRequest/TKRbody/TKRitem/kitFabric/piece/mixMatch) 0-1</p>
msgDate	<p>date of issue of the present message (xml document), according to one of the patterns YYYY-MM-DD, YYYY-MM-DD:HH-MM or YYYY-WW.</p> <p>- base type: string,</p> <p>(XPath TEXKitDesRequest/TRheader/msgDate) 1-1</p>
@msgfunction	<p>function performed by the present message with regards to the transmission</p> <p>- base type: string, cod. table: NT18</p> <p>http://www.ebiz.enea.it/moda-ml/repository/codelist/v2018-1/gc_NT18.xml</p> <p>(XPath TEXKitDesRequest/@msgfunction) [Optional] [Default= OR]</p>
msgID	<p>key identifier of the business document in the information system of the issuing Party. In case of more despatches of the same business document, it is unchanged.</p> <p>- base type: string, max length: 35,</p> <p>(XPath TEXKitDesRequest/TRheader/msgID) 0-1</p>
msgN	<p>identification number given to the message (xml document) by its issuer. In case of more despatches of the same business document, it changes.</p> <p>- base type: string, max length: 35,</p> <p>(XPath TEXKitDesRequest/TRheader/msgN) 1-1</p>
netWeight	<p>the net weight declared for transport or customs purpose</p> <p>- base type: decimal, min inclusive: 0, fraction digits: 2,</p> <p>(XPath TEXKitDesRequest/shipInfo/transInfo/netWeight) 0-1</p> <p>(XPath TEXKitDesRequest/TKRbody/TKRitem/shipInfo/transInfo/netWeight) 0-1</p> <p>(XPath TEXKitDesRequest/shipInfo/actualPackageUnit/netWeight) 0-1</p> <p>(XPath TEXKitDesRequest/shipInfo/packages/handlingChar/netWeight) 0-1 (p)</p> <p>(XPath TEXKitDesRequest/TKRbody/TKRitem/shipInfo/packages/handlingChar/netWeight) 0-1 (p)</p> <p>(XPath TEXKitDesRequest/TKRbody/TKRitem/shipInfo/actualPackageUnit/netWeight) 0-1</p>
note	<p>free text or structured (computer processing) note. For note structuring use the attributes "noteLabel" and "codelist"</p> <p>- base type: string, max length: 350,</p> <p>(XPath TEXKitDesRequest/shipInfo/packages/handlingChar/note) 0-99</p> <p>(XPath TEXKitDesRequest/shipInfo/actualPackageUnit/note) 0-99</p> <p>(XPath TEXKitDesRequest/TKRbody/TKRitem/shipInfo/actualPackageUnit/note) 0-99</p> <p>(XPath TEXKitDesRequest/TKRbody/TKRitem/note) 0-99</p> <p>(XPath TEXKitDesRequest/TRheader/note) 0-99</p>

	(XPath <code>TEXKitDesRequest/TKRbody/TKRitem/shipInfo/packages/handlingChar/note</code>) 0-99
@noteLabel	<p>subject qualifier of a note</p> <ul style="list-style-type: none"> - base type: string, max length: 35, (XPath <code>TEXKitDesRequest/TRheader/note/@noteLabel</code>) [Optional] - nota: <i>must be used to qualify the subject of the note</i> (XPath <code>TEXKitDesRequest/TKRbody/TKRitem/shipInfo/actualPackageUnit/note/@noteLabel</code>) [Optional] - nota: <i>must be used to qualify the subject of the note</i> (XPath <code>TEXKitDesRequest/shipInfo/actualPackageUnit/note/@noteLabel</code>) [Optional] - nota: <i>must be used to qualify the subject of the note</i> (XPath <code>TEXKitDesRequest/TKRbody/TKRitem/note/@noteLabel</code>) [Optional] - nota: <i>must be used to qualify the subject of the note</i> (XPath <code>TEXKitDesRequest/TKRbody/TKRitem/shipInfo/packages/handlingChar/note/@noteLabel</code>) [Optional] - nota: <i>must be used to qualify the subject of the note</i> (XPath <code>TEXKitDesRequest/shipInfo/packages/handlingChar/note/@noteLabel</code>) [Optional] - nota: <i>must be used to qualify the subject of the note</i>
@numberingOrg	<p>code specifying the organisation who has created or owns the coding or numbering system</p> <ul style="list-style-type: none"> - base type: string, cod. table: NT6 http://www.ebiz.enea.it/moda-ml/repository/codelist/v2018-1/gc_NT6.xml (XPath <code>TEXKitDesRequest/TKRbody/TKRitem/shipInfo/actualPackageUnit/itemsList/qualityLevel/@numberingOrg</code>) [Optional] (a) - nota: <i>this attribute should be used either single or coupled with "listName" and "listVersion"</i> (XPath <code>TEXKitDesRequest/TKRbody/TKRitem/kitAccessory/csRange/drop/@numberingOrg</code>) [Optional] (a) - nota: <i>this attribute should be used either single or coupled with "listName" and "listVersion"</i> (XPath <code>TEXKitDesRequest/TKRbody/TKRitem/shipInfo/actualPackageUnit/packagesList/packageIdentification/packageN/@numberingOrg</code>) [Optional] (XPath <code>TEXKitDesRequest/TKRbody/TKRitem/shipInfo/packages/handlingChar/note/@numberingOrg</code>) [Optional] - nota: <i>must be used to specify the organization that created the list of codes used in "noteLabel"</i> (XPath <code>TEXKitDesRequest/TKRbody/TKRitem/shipInfo/packages/packageModelCode/@numberingOrg</code>) [Optional] (a) (XPath <code>TEXKitDesRequest/TKRbody/TKRitem/kitAccessory/csRange/sizeMatrix/sizeRow/additionalComponentCode/@numberingOrg</code>) [Optional] (a) - nota: <i>this attribute should be used either single or coupled with "listName" and "listVersion"</i> (XPath <code>TEXKitDesRequest/TKRbody/TKRitem/shipInfo/actualPackageUnit/packageModelCode/@numberingOrg</code>) [Optional] (a) (XPath <code>TEXKitDesRequest/TRheader/thirdParty/id/@numberingOrg</code>) [Optional] (XPath <code>TEXKitDesRequest/shipInfo/packages/handlingChar/garPack/garPackCode/@numberingOrg</code>) [Optional] (a) - nota: <i>this attribute should be used either single or coupled with "listName" and "listVersion"</i> (XPath <code>TEXKitDesRequest/TRheader/buyer/additionalIdentifier/@numberingOrg</code>) [Optional] (a) - nota: <i>here the issuer of the identifier must be specified</i> (XPath <code>TEXKitDesRequest/TKRbody/TKRitem/kitAccessory/csRange/garmentVariant/variantType/@numberingOrg</code>) [Optional] (a) - nota: <i>this attribute should be used either single or coupled with "listName" and "listVersion"</i> (XPath <code>TEXKitDesRequest/TRheader/buyer/id/@numberingOrg</code>) [Optional] (XPath <code>TEXKitDesRequest/TKRbody/TKRitem/shipInfo/packages/handlingChar/garPack/garPackCode/@numberingOrg</code>) [Optional] (a)

- nota: *this attribute should be used either single or coupled with "listName" and "listVersion"*
 (XPath TEXKitDesRequest/TKRbody/TKRitem/kitAccessory/
 csRange/color/@numberingOrg) [Optional]

- nota: *this attribute should be used either single or coupled with "listName" and "listVersion"*
 (XPath TEXKitDesRequest/TKRbody/TKRitem/shipInfo/
 packages/handlingChar/acsPack/acsPackCode/@numberingOrg) [Optional]

(a)

- nota: *this attribute should be used either single or coupled with "listName" and "listVersion"*
 (XPath TEXKitDesRequest/TRheader/docID/@numberingOrg) [Optional]

- nota: *here can be specified whose document numbering is used (e.g.: Client, Supplier, ..)*
 (XPath
 TEXKitDesRequest/TRheader/supplier/additionalIdentifier/@numberingOrg) [Optional] (a)

- nota: *here the issuer of the identifier must be specified*
 (XPath TEXKitDesRequest/TKRbody/TKRitem/kitAccessory/
 csRange/garmentVariant/variantCode/@numberingOrg) [Optional] (a)

- nota: *this attribute should be used either single or coupled with "listName" and "listVersion"*
 (XPath TEXKitDesRequest/TKRbody/TKRitem/shipInfo/
 actualPackageUnit/packagesList/packageIdentification/serialN/@numberingOrg) [Optional]

- nota: *here the issuer of the serial number must be specified (when different from the Supplier)*
 (XPath TEXKitDesRequest/TRheader/supplier/id/@numberingOrg) [Optional]
 (XPath TEXKitDesRequest/TRheader/refDoc/season/@numberingOrg) [Optional] (a)

- nota: *this attribute should be used either single or coupled with "listName" and "listVersion"*
 (XPath TEXKitDesRequest/TKRbody/TKRitem/thirdParty/id/@numberingOrg) [Optional]

(XPath TEXKitDesRequest/TKRbody/TKRitem/kitAccessory/
 mixMatch/@numberingOrg) [Optional]

(XPath TEXKitDesRequest/TKRbody/TKRitem/kitAccessory/lotN/@numberingOrg) [Optional]

(XPath TEXKitDesRequest/TRheader/refDoc/attachment/
 fileName/@numberingOrg) [Optional]

(XPath TEXKitDesRequest/TKRbody/TKRitem/kitAccessory/
 acsPack/acsPackCode/@numberingOrg) [Optional] (a)

- nota: *this attribute should be used either single or coupled with "listName" and "listVersion"*
 (XPath TEXKitDesRequest/TKRbody/TKRitem/kitAccessory/
 itemsList/itemIdentification/serialN/@numberingOrg) [Optional]

- nota: *here the issuer of the serial number must be specified (when different from the Supplier)*
 (XPath
 TEXKitDesRequest/shipInfo/packages/packageModelCode/@numberingOrg) [Optional] (a)

(XPath TEXKitDesRequest/TKRbody/TKRitem/kitAccessory/
 packageN/@numberingOrg) [Optional]

(XPath TEXKitDesRequest/TKRbody/TKRitem/kitAccessory/
 itemsList/qualityLevel/@numberingOrg) [Optional] (a)

- nota: *this attribute should be used either single or coupled with "listName" and "listVersion"*
 (XPath TEXKitDesRequest/TKRbody/TKRitem/note/@numberingOrg) [Optional]

- nota: *must be used to specify the organization that created the list of codes used in "noteLabel"*
 (XPath TEXKitDesRequest/TKRbody/TKRitem/shipInfo/
 packages/packageN/@numberingOrg) [Optional]
 (XPath TEXKitDesRequest/TKRbody/TKRitem/shipInfo/
 actualPackageUnit/packageIdentification/packageN/@numberingOrg) [Optional]

(XPath `TEXKitDesRequest/TKRbody/TKRitem/kitAccessory/csRange/sizeMatrix/sizeRow/size/@numberingOrg`) [Optional] (a)
- nota: *this attribute should be used either single or coupled with "listName" and "listVersion"*

(XPath `TEXKitDesRequest/TKRbody/TKRitem/shipInfo/actualPackageUnit/note/@numberingOrg`) [Optional]
- nota: *must be used to specify the organization that created the list of code s used in "noteLabel"*

(XPath `TEXKitDesRequest/shipInfo/packages/handlingChar/acsPack/acsPackCode/@numberingOrg`) [Optional] (a)
- nota: *this attribute should be used either single or coupled with "listName" and "listVersion"*

(XPath `TEXKitDesRequest/TKRbody/TKRitem/shipInfo/actualPackageUnit/packageIdentification/serialN/@numberingOrg`) [Optional]
- nota: *here the issuer of the serial number must be specified (when different from the Supplier)*

(XPath `TEXKitDesRequest/TKRbody/TKRitem/kitAccessory/csRange/sizeMatrix/sizeRow/drop/@numberingOrg`) [Optional] (a)
- nota: *this attribute should be used either single or coupled with "listName" and "listVersion"*

(XPath `TEXKitDesRequest/TKRbody/TKRitem/shipInfo/packages/EPClist/EPC/@numberingOrg`) [Optional]
(XPath `TEXKitDesRequest/TKRbody/TKRitem/kitAccessory/csRange/sizeMatrix/sizeRow/itemsList/itemIdentification/serialN/@numberingOrg`) [Optional]
- nota: *here the issuer of the serial number must be specified (when different from the Supplier)*

(XPath `TEXKitDesRequest/TRheader/note/@numberingOrg`) [Optional]
- nota: *must be used to specify the organization that created the list of code s used in "noteLabel"*

(XPath `TEXKitDesRequest/TRheader/refDoc/docID/@numberingOrg`) [Optional]
- nota: *here can be specified whose document numbering is used (e.g.: Client, Supplier, ..)*

(XPath `TEXKitDesRequest/TKRbody/TKRitem/kitAccessory/csRange/sizeMatrix/sizeRow/itemsList/qualityLevel/@numberingOrg`) [Optional] (a)
- nota: *this attribute should be used either single or coupled with "listName" and "listVersion"*

(XPath `TEXKitDesRequest/TKRbody/TKRitem/packageN/@numberingOrg`) [Optional]

(XPath `TEXKitDesRequest/TKRbody/TKRitem/kitAccessory/csRange/@numberingOrg`) [Optional]
(XPath `TEXKitDesRequest/shipInfo/actualPackageUnit/packageIdentification/packageN/@numberingOrg`) [Optional]
(XPath `TEXKitDesRequest/TKRbody/TKRitem/kitAccessory/acsCode/@numberingOrg`) [Optional]
(XPath `TEXKitDesRequest/TKRbody/TKRitem/kitFabric/texCode/pattern/@numberingOrg`) [Optional]
- nota: *this attribute should be used either single or coupled with "listName" and "listVersion"*

(XPath `TEXKitDesRequest/TKRbody/TKRitem/kitFabric/texCode/color/@numberingOrg`) [Optional]
- nota: *this attribute should be used either single or coupled with "listName" and "listVersion"*

(XPath `TEXKitDesRequest/shipInfo/actualPackageUnit/packagesList/packageIdentification/packageN/@numberingOrg`) [Optional]
(XPath `TEXKitDesRequest/TKRbody/TKRitem/kitAccessory/acsCode/pattern/@numberingOrg`) [Optional]
- nota: *this attribute should be used either single or coupled with "listName" and "listVersion"*

(XPath `TEXKitDesRequest/shipInfo/packages/packageN/@numberingOrg`) [Optional]

(XPath `TEXKitDesRequest/shipInfo/packages/EPClist/EPC/@numberingOrg`) [Optional]

	<p>(XPath <code>TEXKitDesRequest/TKRbody/TKRitem/kitAccessory/acsCode/art/@numberingOrg</code>) [Optional]</p> <p>- nota: <i>this attribute should be used either single or coupled with "listName" and "listVersion"</i></p> <p>(XPath <code>TEXKitDesRequest/shipInfo/actualPackageUnit/packagesList/packageIdentification/serialN/@numberingOrg</code>) [Optional]</p> <p>- nota: <i>here the issuer of the serial number must be specified (when different from the Supplier)</i></p> <p>(XPath <code>TEXKitDesRequest/TKRbody/TKRitem/shipInfo/actualPackageUnit/itemsList/itemIdentification/serialN/@numberingOrg</code>) [Optional]</p> <p>- nota: <i>here the issuer of the serial number must be specified (when different from the Supplier)</i></p> <p>(XPath <code>TEXKitDesRequest/TKRbody/TKRitem/kitFabric/piece/dyeN/@numberingOrg</code>) [Optional]</p> <p>(XPath <code>TEXKitDesRequest/TKRbody/TKRitem/kitFabric/piece/mixMatch/@numberingOrg</code>) [Optional]</p> <p>(XPath <code>TEXKitDesRequest/TKRbody/TKRitem/kitFabric/piece/lotN/@numberingOrg</code>) [Optional]</p> <p>(XPath <code>TEXKitDesRequest/shipInfo/actualPackageUnit/packageIdentification/serialN/@numberingOrg</code>) [Optional]</p> <p>- nota: <i>here the issuer of the serial number must be specified (when different from the Supplier)</i></p> <p>(XPath <code>TEXKitDesRequest/TKRbody/TKRitem/kitFabric/piece/EPC/@numberingOrg</code>) [Optional]</p> <p>(XPath <code>TEXKitDesRequest/TKRbody/TKRitem/kitFabric/mixMatch/@numberingOrg</code>) [Optional]</p> <p>(XPath <code>TEXKitDesRequest/TKRbody/TKRitem/kitFabric/texCode/added/@numberingOrg</code>) [Optional]</p> <p>- nota: <i>this attribute should be used either single or coupled with "listName" and "listVersion"</i></p> <p>(XPath <code>TEXKitDesRequest/shipInfo/actualPackageUnit/packageModelCode/@numberingOrg</code>) [Optional]</p> <p>(XPath <code>TEXKitDesRequest/TKRbody/TKRitem/kitFabric/piece/serialN/@numberingOrg</code>) [Optional]</p> <p>- nota: <i>here the issuer of the serial number must be specified (when different from the Supplier)</i></p> <p>(XPath <code>TEXKitDesRequest/TKRbody/TKRitem/kitFabric/piece/packageN/@numberingOrg</code>) [Optional]</p> <p>(XPath <code>TEXKitDesRequest/TKRbody/TKRitem/refDoc/docID/@numberingOrg</code>) [Optional]</p> <p>- nota: <i>here can be specified whose document numbering is used (e.g.: Client, Supplier, ..)</i></p> <p>(XPath <code>TEXKitDesRequest/TKRbody/TKRitem/kitAccessory/acsCode/added/@numberingOrg</code>) [Optional]</p> <p>- nota: <i>this attribute should be used either single or coupled with "listName" and "listVersion"</i></p> <p>(XPath <code>TEXKitDesRequest/shipInfo/actualPackageUnit/itemsList/itemIdentification/serialN/@numberingOrg</code>) [Optional]</p> <p>- nota: <i>here the issuer of the serial number must be specified (when different from the Supplier)</i></p> <p>(XPath <code>TEXKitDesRequest/shipInfo/actualPackageUnit/itemsList/qualityLevel/@numberingOrg</code>) [Optional] (a)</p> <p>- nota: <i>this attribute should be used either single or coupled with "listName" and "listVersion"</i></p> <p>(XPath <code>TEXKitDesRequest/TKRbody/TKRitem/refDoc/season/@numberingOrg</code>) [Optional] (a)</p> <p>- nota: <i>this attribute should be used either single or coupled with "listName" and "listVersion"</i></p> <p>(XPath <code>TEXKitDesRequest/TKRbody/TKRitem/refDoc/attachment/fileName/@numberingOrg</code>) [Optional] (a)</p> <p>(XPath <code>TEXKitDesRequest/shipInfo/packages/handlingChar/note/@numberingOrg</code>) [Optional]</p> <p>- nota: <i>must be used to specify the organization that created the list of codes used in "noteLabel"</i></p>
--	--

	<p>(XPath TEXKitDesRequest/TKRbody/TKRitem/kitN/@numberingOrg) [Optional] (XPath TEXKitDesRequest/TKRbody/TKRitem/kitFabric/ texCode/art/@numberingOrg) [Optional] - nota: <i>this attribute should be used either single or coupled with "listName" and "listVersion"</i> (XPath TEXKitDesRequest/TKRbody/TKRitem/kitAccessory/ acsCode/color/@numberingOrg) [Optional] - nota: <i>this attribute should be used either single or coupled with "listName" and "listVersion"</i> (XPath TEXKitDesRequest/TKRbody/TKRitem/kitFabric/texCode/@numberingOrg) [Optional] (XPath TEXKitDesRequest/shipInfo/actualPackageUnit/note/@numberingOrg) [Optional] - nota: <i>must be used to specify the organization that created the list of codes used in "noteLabel"</i></p>
package	<p>code specifying the type of transport package - base type: string, cod. table: T11 http://www.ebiz.enea.it/moda-ml/repository/codelist/v2018-1/gc_T11.xml (XPath TEXKitDesRequest/TKRbody/TKRitem/shipInfo/ actualPackageUnit/package) 0-1 (XPath TEXKitDesRequest/shipInfo/actualPackageUnit/package) 0-1 (p) (XPath TEXKitDesRequest/shipInfo/packages/package) 1-1 (XPath TEXKitDesRequest/TKRbody/TKRitem/shipInfo/packages/package) 1-1</p>
@packageContainerN	<p>reference usable to indicate the outer package containing this package - base type: string, max length: 40, (XPath TEXKitDesRequest/TKRbody/TKRitem/packageN/@packageContainerN) [Optional] (XPath TEXKitDesRequest/TKRbody/TKRitem/kitFabric/ piece/packageN/@packageContainerN) [Optional] (XPath TEXKitDesRequest/shipInfo/actualPackageUnit/ packageIdentification/packageN/@packageContainerN) [Optional] (XPath TEXKitDesRequest/shipInfo/actualPackageUnit/ packagesList/packageIdentification/packageN/@packageContainerN) [Optional] (XPath TEXKitDesRequest/TKRbody/TKRitem/kitAccessory/ packageN/@packageContainerN) [Optional] (XPath TEXKitDesRequest/TKRbody/TKRitem/shipInfo/ packages/packageN/@packageContainerN) [Optional] (XPath TEXKitDesRequest/TKRbody/TKRitem/shipInfo/ actualPackageUnit/packagesList/packageIdentification/packageN/@packageContainerN) [Optional] (XPath TEXKitDesRequest/shipInfo/packages/packageN/@packageContainerN) [Optional] (XPath TEXKitDesRequest/TKRbody/TKRitem/shipInfo/ actualPackageUnit/packageIdentification/packageN/@packageContainerN) [Optional]</p>
@packageLevel	<p>level used to indicate the hierarchical structure of the packages (from outer to inner levels) - base type: positiveInteger, min inclusive: 1, max inclusive: 9, (XPath TEXKitDesRequest/shipInfo/actualPackageUnit/@packageLevel) [Optional] (a) (XPath TEXKitDesRequest/shipInfo/packages/@packageLevel) [Optional] - nota: <i>number fixing the level of the package in the transport structure (from inner to outer). Must either be used for all package types or not be used</i> (XPath TEXKitDesRequest/TKRbody/TKRitem/shipInfo/packages/@packageLevel) [Optional] - nota: <i>number fixing the level of the package in the transport structure (from inner to outer). Must either be used for all package types or not be used</i> (XPath TEXKitDesRequest/TKRbody/TKRitem/shipInfo/ actualPackageUnit/@packageLevel) [Optional]</p>
packageModelCode	<p>a code (eg a barcode) identifying the type of packaging - base type: string, (XPath TEXKitDesRequest/shipInfo/packages/packageModelCode) 0-1 (N)</p>

	<p>(XPath TEXKitDesRequest/TKRbody/TKRitem/shipInfo/packages/packageModelCode) 0-1 (N)</p> <p>(XPath TEXKitDesRequest/shipInfo/actualPackageUnit/packageModelCode) 0-1 (N)</p> <p>(XPath TEXKitDesRequest/TKRbody/TKRitem/shipInfo/actualPackageUnit/packageModelCode) 0-1 (N)</p>
packageN	<p>serial number used to identify a transport package</p> <p>- base type: string, max length: 40,</p> <p>(XPath TEXKitDesRequest/TKRbody/TKRitem/shipInfo/actualPackageUnit/packagesList/packageIdentification/packageN) 1-1 (U)</p> <p>(XPath TEXKitDesRequest/TKRbody/TKRitem/shipInfo/actualPackageUnit/packageIdentification/packageN) 1-1 (U)</p> <p>(XPath TEXKitDesRequest/TKRbody/TKRitem/shipInfo/packages/packageN) 0-unbounded (U)</p> <p>- note: <i>here the serial no.s of the packages can be identified</i></p> <p>(XPath TEXKitDesRequest/shipInfo/actualPackageUnit/packageIdentification/packageN) 1-1 (U)</p> <p>(XPath TEXKitDesRequest/shipInfo/actualPackageUnit/packagesList/packageIdentification/packageN) 1-1 (U)</p> <p>(XPath TEXKitDesRequest/TKRbody/TKRitem/packageN) 0-unbounded (U)</p> <p>- note: <i>identifiers of the packages containing the items of this line</i></p> <p>(XPath TEXKitDesRequest/TKRbody/TKRitem/kitFabric/piece/packageN) 0-1 (U)</p> <p>- note: <i>here the transport package containing the piece can be identified</i></p> <p>(XPath TEXKitDesRequest/TKRbody/TKRitem/kitAccessory/packageN) 0-9 (U)</p> <p>(XPath TEXKitDesRequest/shipInfo/packages/packageN) 0-unbounded (U)</p> <p>- note: <i>here the serial no.s of the packages can be identified</i></p>
packageQty	<p>quantity of the specified transport packages</p> <p>- base type: positiveInteger,</p> <p>(XPath TEXKitDesRequest/shipInfo/packages/packageQty) 0-1</p> <p>- note: <i>total for the type of package</i></p> <p>(XPath TEXKitDesRequest/TKRbody/TKRitem/shipInfo/packages/packageQty) 0-1</p> <p>- note: <i>total for the type of package</i></p>
packageText	<p>denomination of the type of transport package (text)</p> <p>- base type: string, max length: 80,</p> <p>(XPath TEXKitDesRequest/TKRbody/TKRitem/shipInfo/actualPackageUnit/packageText) 0-1 (U)</p> <p>(XPath TEXKitDesRequest/TKRbody/TKRitem/shipInfo/packages/packageText) 1-1 (U)</p> <p>(XPath TEXKitDesRequest/shipInfo/packages/packageText) 1-1 (U)</p> <p>(XPath TEXKitDesRequest/shipInfo/actualPackageUnit/packageText) 0-1 (U)</p>
pattern	<p>pattern/design number of the product, when not included in the article code</p> <p>- base type: string, max length: 15,</p> <p>(XPath TEXKitDesRequest/TKRbody/TKRitem/kitAccessory/acsCode/pattern) 0-1</p> <p>(XPath TEXKitDesRequest/TKRbody/TKRitem/kitFabric/texCode/pattern) 0-1</p>
percCompos	<p>fiber rate in the product composition</p> <p>- base type: decimal, min inclusive: 0, max inclusive: 100, fraction digits: 2,</p> <p>(XPath TEXKitDesRequest/TKRbody/TKRitem/kitFabric/fabricCompos/percCompos) 1-9</p>
person	<p>name of the contact person within a Party</p> <p>- base type: string, max length: 40,</p> <p>(XPath TEXKitDesRequest/TRheader/supplier/person) 0-1</p> <p>(XPath TEXKitDesRequest/TKRbody/TKRitem/thirdParty/person) 0-1</p> <p>(XPath TEXKitDesRequest/TRheader/buyer/person) 0-1</p> <p>(XPath TEXKitDesRequest/TRheader/thirdParty/person) 0-1</p>
@phone	<p>phone number of the contact person within a Party</p> <p>- base type: string, max length: 35,</p> <p>(XPath TEXKitDesRequest/TRheader/thirdParty/person/@phone) [Optional]</p> <p>(XPath TEXKitDesRequest/TKRbody/TKRitem/thirdParty/person/@phone) [Optional]</p> <p>(XPath TEXKitDesRequest/TRheader/buyer/person/@phone) [Optional]</p> <p>(XPath TEXKitDesRequest/TRheader/supplier/person/@phone) [Optional]</p>

pieceAllow	allowance required or accorded for the piece - base type: decimal, fraction digits: 2, (XPath TEXKitDesRequest/TKRbody/TKRitem/kitFabric/piece/pieceAllow) 0-1
pieceCutWidth	effective usable width of the fabric piece (for garment manufacturing) - base type: decimal, min inclusive: 0, fraction digits: 2, (XPath TEXKitDesRequest/TKRbody/TKRitem/kitFabric/piece/pieceCutWidth) 0-1
pieceInnWrap1	code specifying the type of inner wrapping/packing used for the fabric piece - base type: string, cod. table: T4 http://www.ebiz.enea.it/moda-ml/repository/codelist/v2018-1/gc_T4.xml (XPath TEXKitDesRequest/shipInfo/packages/handlingChar/piecePack/pieceInnWrap1) 1-1 (XPath TEXKitDesRequest/TKRbody/TKRitem/kitFabric/piece/piecePack/pieceInnWrap1) 1-1 (XPath TEXKitDesRequest/TKRbody/TKRitem/shipInfo/packages/handlingChar/piecePack/pieceInnWrap1) 1-1
pieceInnWrap2	code sub-specifying the type of inner wrapping/packing used for the fabric piece - base type: string, cod. table: T5 http://www.ebiz.enea.it/moda-ml/repository/codelist/v2018-1/gc_T5.xml (XPath TEXKitDesRequest/TKRbody/TKRitem/kitFabric/piece/piecePack/pieceInnWrap2) 0-1 (XPath TEXKitDesRequest/TKRbody/TKRitem/shipInfo/packages/handlingChar/piecePack/pieceInnWrap2) 0-1 (XPath TEXKitDesRequest/shipInfo/packages/handlingChar/piecePack/pieceInnWrap2) 0-1
pieceLength	length of the piece - base type: decimal, min inclusive: 0, fraction digits: 2, (XPath TEXKitDesRequest/TKRbody/TKRitem/kitFabric/piece/pieceLength) 0-1
pieceOutWrap	code specifying the type of outer wrapping or packing used for the fabric piece - base type: string, cod. table: T6 http://www.ebiz.enea.it/moda-ml/repository/codelist/v2018-1/gc_T6.xml (XPath TEXKitDesRequest/TKRbody/TKRitem/shipInfo/packages/handlingChar/piecePack/pieceOutWrap) 0-1 (XPath TEXKitDesRequest/shipInfo/packages/handlingChar/piecePack/pieceOutWrap) 0-1 (XPath TEXKitDesRequest/TKRbody/TKRitem/kitFabric/piece/piecePack/pieceOutWrap) 0-1
piecePackText	free text specifying the type of wrapping or packing used for the fabric piece - base type: string, max length: 250, (XPath TEXKitDesRequest/TKRbody/TKRitem/shipInfo/packages/handlingChar/piecePack/piecePackText) 1-1 (U) (XPath TEXKitDesRequest/TKRbody/TKRitem/kitFabric/piece/piecePack/piecePackText) 1-1 (U) (XPath TEXKitDesRequest/shipInfo/packages/handlingChar/piecePack/piecePackText) 1-1 (U)
pieceStatus	code used to describe the status of a fabric piece after the control - base type: string, cod. table: T52 http://www.ebiz.enea.it/moda-ml/repository/codelist/v2018-1/gc_T52.xml (XPath TEXKitDesRequest/TKRbody/TKRitem/kitFabric/piece/pieceStatus) 0-1
pieceWeight	effective total weight of the fabric piece - base type: decimal, min inclusive: 0, fraction digits: 2, (XPath TEXKitDesRequest/TKRbody/TKRitem/kitFabric/piece/pieceWeight) 0-1 - note: <i>It is the net weight of the piece.</i>
pieceWeightM	effective weight per metre of the fabric piece - base type: decimal, min inclusive: 0, fraction digits: 2, (XPath TEXKitDesRequest/TKRbody/TKRitem/kitFabric/piece/pieceWeightM) 0-1

pieceWidth	<p>effective width of the fabric piece</p> <p>- base type: decimal, min inclusive: 0, fraction digits: 2, (XPath TEXKitDesRequest/TKRbody/TKRitem/kitFabric/piece/pieceWidth) 0-1</p>
postCode	<p>code defining the postal zone</p> <p>- base type: string, max length: 10, (XPath TEXKitDesRequest/TRheader/supplier/postCode) 0-1 (XPath TEXKitDesRequest/TRheader/thirdParty/postCode) 0-1 (XPath TEXKitDesRequest/TRheader/buyer/postCode) 0-1 (XPath TEXKitDesRequest/TKRbody/TKRitem/thirdParty/postCode) 0-1</p>
@progr	<p>progressive number in the sequence</p> <p>- base type: positiveInteger, min inclusive: 1, (XPath TEXKitDesRequest/shipInfo/packages/fillingCriterion/@progr) [Optional] (Na) (XPath TEXKitDesRequest/TKRbody/TKRitem/shipInfo/packages/fillingCriterion/@progr) [Optional] (Na) (XPath TEXKitDesRequest/shipInfo/transInfo/@progr) [Optional] (N)</p> <p>- nota: <i>Indicates the position of the leg in a sequence of transport legs. If it is declared it must be in all the transInfo elements.</i> (XPath TEXKitDesRequest/TKRbody/TKRitem/shipInfo/transInfo/@progr) [Optional] (N)</p> <p>- nota: <i>Indicates the position of the leg in a sequence of transport legs. If it is declared it must be in all the transInfo elements.</i></p>
qty	<p>net quantity of the article or object correlated, qualified by the function of the document (ordering, delivering, ..) and by the context</p> <p>- base type: decimal, min inclusive: 0, fraction digits: 2, (XPath TEXKitDesRequest/TKRbody/TKRitem/kitAccessory/qty) 1-2</p> <hr/> <p>AAAA-WARNING! - text not AVAILABLE n. 245 - In=en (XPath TEXKitDesRequest/TKRbody/TKRitem/kitAccessory/csRange/sizeMatrix/sizeRow/qty) 0-1 (XPath TEXKitDesRequest/TKRbody/TKRitem/kitFabric/qty) 1-2</p>
qtyVariance	<p>difference between two quantities qualified by the context (e.g.: delivered vs . ordered; received vs. despatched etc..)</p> <p>- base type: decimal, fraction digits: 2, (XPath TEXKitDesRequest/TKRbody/TKRitem/kitFabric/qtyVariance) 0-1</p>
qualityLevel	<p>the product quality level (first choice, second choice,...).</p> <p>- base type: string, (XPath TEXKitDesRequest/TKRbody/TKRitem/kitAccessory/itemsList/qualityLevel) 0-1 (N) (XPath TEXKitDesRequest/TKRbody/TKRitem/shipInfo/actualPackageUnit/itemsList/qualityLevel) 0-1 (N) (XPath TEXKitDesRequest/shipInfo/actualPackageUnit/itemsList/qualityLevel) 0-1 (N) (XPath TEXKitDesRequest/TKRbody/TKRitem/kitAccessory/csRange/sizeMatrix/sizeRow/itemsList/qualityLevel) 0-1 (N)</p>
@reelMat	<p>type of material of which a package for yarn is made</p> <p>- base type: string, cod. table: T30 http://www.ebiz.enea.it/moda-ml/repository/codelist/v2018-1/gc_T30.xml (XPath TEXKitDesRequest/TKRbody/TKRitem/shipInfo/packages/handlingChar/yarnPack/yarnReel/@reelMat) [Optional] (XPath TEXKitDesRequest/shipInfo/packages/handlingChar/yarnPack/yarnReel/@reelMat) [Optional]</p>
@reelType	<p>type of package used for a yarn product</p> <p>- base type: string, cod. table: T29 http://www.ebiz.enea.it/moda-ml/repository/codelist/v2018-1/gc_T29.xml (XPath TEXKitDesRequest/TKRbody/TKRitem/shipInfo/packages/handlingChar/yarnPack/yarnReel/@reelType) [Required] (XPath TEXKitDesRequest/shipInfo/packages/handlingChar/yarnPack/yarnReel/@reelType) [Required]</p>

@role	<p>Third Party role qualifier - base type: string, cod. table: NT2 http://www.ebiz.enea.it/moda-ml/repository/codelist/v2018-1/gc_NT2.xml (XPath <code>TEXKitDesRequest/TRheader/thirdParty/@role</code>) [Required] (XPath <code>TEXKitDesRequest/TKRbody/TKRitem/thirdParty/@role</code>) [Required]</p>
season	<p>sale season; defined as: season (1 crt) + year (4 crt) - season: S/S=1 A/W=2 Spring=3 Summer=4 Autumn=5 Winter=6: for more than four seasons use alphabetic sequence: 1st season=A 2nd season=B etc.etc. - base type: string, max length: 15, (XPath <code>TEXKitDesRequest/TRheader/refDoc/season</code>) 0-1 (A) - note: <i>here indicates the season to which the referenced document belongs</i> (XPath <code>TEXKitDesRequest/TKRbody/TKRitem/refDoc/season</code>) 0-1 (A) - note: <i>here indicates the season to which the referenced document belongs</i></p>
@sender	<p>qualifier that specifies the Party issuing of the document - base type: boolean, (XPath <code>TEXKitDesRequest/TRheader/supplier/@sender</code>) [Optional] (a*) - nota: <i>This attribute is mandatory when the STYLESHEET must be used</i> (XPath <code>TEXKitDesRequest/TRheader/buyer/@sender</code>) [Optional] (a*) - nota: <i>This attribute is mandatory when the STYLESHEET must be used</i> (XPath <code>TEXKitDesRequest/TRheader/thirdParty/@sender</code>) [Optional] (a*) - nota: <i>This attribute is mandatory when the STYLESHEET must be used</i> (XPath <code>TEXKitDesRequest/TKRbody/TKRitem/thirdParty/@sender</code>) [Optional] (a*) - nota: <i>This attribute is mandatory when the STYLESHEET must be used</i></p>
serialN	<p>serial number used for the identification of a physical unit - base type: string, max length: 250, (XPath <code>TEXKitDesRequest/TKRbody/TKRitem/kitAccessory/itemsList/itemIdentification/serialN</code>) 1-9 (AU)</p> <hr/> <p>AAAA-WARNING! - text not AVAILABLE n. 245 - In=en - note: <i>multiple values of serialN are allowed for different representations of the serial identifier of the same product unit. Instances of serialN must differ at least for one value of numberingOrg and idQualifier.</i> (XPath <code>TEXKitDesRequest/TKRbody/TKRitem/shipInfo/actualPackageUnit/packagesList/packageIdentification/serialN</code>) 0-9 (AU) - note: <i>multiple values of serialN are allowed in order to provide different representations of the serial identifier of the same package unit. Different instances of serialN must differ at least for one value of idQualifier or numberingOrg</i> (XPath <code>TEXKitDesRequest/shipInfo/actualPackageUnit/packageIdentification/serialN</code>) 0-9 (AU) - note: <i>multiple values of serialN are allowed in order to provide different representations of the serial identifier of the same package unit. Different instances of serialN must differ at least for one value of idQualifier or numberingOrg</i> (XPath <code>TEXKitDesRequest/shipInfo/actualPackageUnit/itemsList/itemIdentification/serialN</code>) 1-9 (AU)</p> <hr/> <p>AAAA-WARNING! - text not AVAILABLE n. 245 - In=en - note: <i>multiple values of serialN are allowed for different representations of the serial identifier of the same product unit. Instances of serialN must differ at least for one value of numberingOrg and idQualifier.</i> (XPath <code>TEXKitDesRequest/TKRbody/TKRitem/shipInfo/actualPackageUnit/packageIdentification/serialN</code>) 0-9 (AU) - note: <i>multiple values of serialN are allowed in order to provide different representations of the serial identifier of the same package unit. Different instances of serialN must differ at least for one value of idQualifier or numberingOrg</i> (XPath <code>TEXKitDesRequest/TKRbody/TKRitem/shipInfo/actualPackageUnit/itemsList/itemIdentification/serialN</code>) 1-9 (AU)</p> <hr/> <p>AAAA-WARNING! - text not AVAILABLE n. 245 - In=en - note: <i>multiple values of serialN are allowed for different representations of the serial identifier of the same product unit. Instances of serialN must differ at least for one value of numberingOrg and idQualifier.</i> (XPath <code>TEXKitDesRequest/shipInfo/actualPackageUnit/packagesList/packageIdentification/serialN</code>) 0-9 (AU) - note: <i>multiple values of serialN are allowed in order to provide different representations of the serial identifier of the same package unit. Different instances of serialN must differ at least for one value of idQualifier or numberingOrg</i> (XPath <code>TEXKitDesRequest/TKRbody/TKRitem/kitFabric/piece/serialN</code>) 0-9 (AU)</p> <hr/> <p>AAAA-WARNING! - text not AVAILABLE n. 245 - In=en - note: <i>multiple values of serialN are allowed for different representations of the serial identifier of the same piece. Instances of serialN must differ at least for one value of numberingOrg and idQualifier.</i></p>

	<p>(XPath TEXKitDesRequest/TKRbody/TKRitem/kitAccessory/csRange/sizeMatrix/sizeRow/itemsList/itemIdentification/serialN) 1-9 (AU)</p> <hr/> <p>AAAA-WARNING! - text not AVAILABLE n. 245 - In=en - note: multiple values of serialN are allowed for different representations of the serial identifier of the same product unit. Instances of serialN must differ at least for one value of numberingOrg and idQualifier.</p>
size	<p>size number of a fashion product (knitwear, clothing, ..) - base type: string, max length: 15, (XPath TEXKitDesRequest/TKRbody/TKRitem/kitAccessory/csRange/sizeMatrix/sizeRow/size) 1-1 (A)</p>
@sizeSystemBase	<p>base of the size system - base type: string, cod. table: T423 http://www.ebiz.enea.it/moda-ml/repository/codelist/v2018-1/gc_T423.xml (XPath TEXKitDesRequest/TKRbody/TKRitem/kitAccessory/csRange/@sizeSystemBase) [Optional]</p>
@sizeSystemID	<p>the identifier of the size system. - base type: string, (XPath TEXKitDesRequest/TKRbody/TKRitem/kitAccessory/csRange/@sizeSystemID) [Optional]</p>
@sizeSystemNat	<p>nation or agency identifying the size system - base type: string, cod. table: T421 http://www.ebiz.enea.it/moda-ml/repository/codelist/v2018-1/gc_T421.xml (XPath TEXKitDesRequest/TKRbody/TKRitem/kitAccessory/csRange/@sizeSystemNat) [Optional]</p>
@sizeSystemSeg	<p>market segment identifying the size system - base type: string, cod. table: T422 http://www.ebiz.enea.it/moda-ml/repository/codelist/v2018-1/gc_T422.xml (XPath TEXKitDesRequest/TKRbody/TKRitem/kitAccessory/csRange/@sizeSystemSeg) [Optional]</p>
sortableIndicator	<p>It states if the item can be automatically sorted. - base type: boolean, (XPath TEXKitDesRequest/shipInfo/packages/handlingChar/sortableIndicator) 0-1 (N) (XPath TEXKitDesRequest/TKRbody/TKRitem/shipInfo/packages/handlingChar/sortableIndicator) 0-1 (N)</p>
stackabilityLevel	<p>This value indicates the level at which the item can be stacked. - base type: integer, (XPath TEXKitDesRequest/TKRbody/TKRitem/shipInfo/packages/handlingChar/stackabilityLevel) 0-1 (N) (XPath TEXKitDesRequest/shipInfo/packages/handlingChar/stackabilityLevel) 0-1 (N)</p>
street	<p>street and building number identifying a location - base type: string, max length: 80, (XPath TEXKitDesRequest/TKRbody/TKRitem/thirdParty/street) 0-1 (XPath TEXKitDesRequest/TRheader/buyer/street) 0-1 (XPath TEXKitDesRequest/TRheader/thirdParty/street) 0-1 (XPath TEXKitDesRequest/TRheader/supplier/street) 0-1</p>
subCountry	<p>short name or code of the sub-country entity - base type: string, max length: 9, (XPath TEXKitDesRequest/TRheader/thirdParty/subCountry) 0-1 (XPath TEXKitDesRequest/TRheader/buyer/subCountry) 0-1 (XPath TEXKitDesRequest/TRheader/supplier/subCountry) 0-1 (XPath TEXKitDesRequest/TKRbody/TKRitem/thirdParty/subCountry) 0-1</p>
subDept	<p>name or code of a contact department within a Party - base type: string, max length: 40, (XPath TEXKitDesRequest/TKRbody/TKRitem/thirdParty/subDept) 0-1 (N) (XPath TEXKitDesRequest/TRheader/supplier/subDept) 0-1 (N)</p>

	(XPath TEXKitDesRequest/TRheader/buyer/subDept) 0-1 (N) (XPath TEXKitDesRequest/TRheader/thirdParty/subDept) 0-1 (N)
@TID	serial number wired into the RFID chip - base type: string, (XPath TEXKitDesRequest/shipInfo/packages/EPCList/EPC/@TID) [Optional] (XPath TEXKitDesRequest/TKRbody/TKRitem/shipInfo/packages/EPCList/EPC/@TID) [Optional] (XPath TEXKitDesRequest/TKRbody/TKRitem/kitFabric/piece/EPC/@TID) [Optional]
totFault	total number of faults: the 1st/2nd digit count the "Large faults", the 3rd/4th the "Medium faults" and the 5th/6th the "Small faults" - base type: positiveInteger, (XPath TEXKitDesRequest/TKRbody/TKRitem/kitFabric/piece/totFault) 0-1
transCondition	special condition of transport or special service requested to the Forwarder - base type: string, cod. table: T38 http://www.ebiz.enea.it/moda-ml/repository/codelist/v2018-1/gc_T38.xml (XPath TEXKitDesRequest/TKRbody/TKRitem/shipInfo/transInfo/transCondition) 0-3 (XPath TEXKitDesRequest/shipInfo/transInfo/transCondition) 0-3
transConditionText	free text description of the special condition of transport or special service requested to the Forwarder - base type: string, max length: 250, (XPath TEXKitDesRequest/shipInfo/transInfo/transConditionText) 0-1 (U) (XPath TEXKitDesRequest/TKRbody/TKRitem/shipInfo/transInfo/transConditionText) 0-1 (U)
transMeans	means of transport, in general or referred to a specific leg - base type: string, cod. table: T40 http://www.ebiz.enea.it/moda-ml/repository/codelist/v2018-1/gc_T40.xml (XPath TEXKitDesRequest/shipInfo/transInfo/transMeans) 0-1 (XPath TEXKitDesRequest/TKRbody/TKRitem/shipInfo/transInfo/transMeans) 0-1
transMode	way of transport, in general or referred to the specified leg - base type: string, cod. table: T8 http://www.ebiz.enea.it/moda-ml/repository/codelist/v2018-1/gc_T8.xml (XPath TEXKitDesRequest/shipInfo/transInfo/transMode) 1-1 (XPath TEXKitDesRequest/TKRbody/TKRitem/shipInfo/transInfo/transMode) 1-1
@transReason	reason for the transport - base type: string, cod. table: NT11 http://www.ebiz.enea.it/moda-ml/repository/codelist/v2018-1/gc_NT11.xml (XPath TEXKitDesRequest/shipInfo/transInfo/@transReason) [Optional] (XPath TEXKitDesRequest/TKRbody/TKRitem/shipInfo/transInfo/@transReason) [Optional]
@TRtype	type of Despatch request - base type: string, cod. table: NT9 http://www.ebiz.enea.it/moda-ml/repository/codelist/v2018-1/gc_NT9.xml (XPath TEXKitDesRequest/@TRtype) [Optional] [Default= STD]
@uid	unique element identifier within the xml document - base type: string, (XPath TEXKitDesRequest/TRheader/refDoc/attachment/@uid) [Optional] (XPath TEXKitDesRequest/TKRbody/TKRitem/refDoc/attachment/@uid) [Optional]
@um	specification of the unit of measure - base type: string, cod. table: NT7 http://www.ebiz.enea.it/moda-ml/repository/codelist/v2018-1/gc_NT7.xml (XPath TEXKitDesRequest/TKRbody/TKRitem/kitFabric/piece/pieceWidth/@um) [Optional] [Default= CMT] (XPath TEXKitDesRequest/TKRbody/TKRitem/kitFabric/piece/pieceWeightM/@um) [Optional] [Default= GRM]

	<p>(XPath TEXKitDesRequest/TKRbody/TKRitem/shipInfo/actualPackageUnit/netWeight/@um) [Required]</p> <p>(XPath TEXKitDesRequest/TKRbody/TKRitem/shipInfo/actualPackageUnit/packageDim/height/@um) [Required]</p> <p>(XPath TEXKitDesRequest/shipInfo/packages/handlingChar/netWeight/@um) [Required]</p> <p>(XPath TEXKitDesRequest/TKRbody/TKRitem/kitFabric/piece/pieceWeight/@um) [Optional] [Default= KGM]</p> <p>(XPath TEXKitDesRequest/shipInfo/packages/itemsPerPackage/@um) [Required] (a)</p> <p>(XPath TEXKitDesRequest/TKRbody/TKRitem/shipInfo/actualPackageUnit/volume/@um) [Required]</p> <p>(XPath TEXKitDesRequest/TKRbody/TKRitem/shipInfo/actualPackageUnit/grossWeight/@um) [Required]</p> <p>(XPath TEXKitDesRequest/shipInfo/packages/handlingChar/grossWeight/@um) [Required]</p> <p>(XPath TEXKitDesRequest/shipInfo/packages/handlingChar/volume/@um) [Required]</p> <p>(XPath TEXKitDesRequest/shipInfo/packages/minItemsPerPackage/@um) [Required] (a)</p> <p>(XPath TEXKitDesRequest/TKRbody/TKRitem/shipInfo/actualPackageUnit/packageDim/width/@um) [Required]</p> <p>(XPath TEXKitDesRequest/TKRbody/TKRitem/kitFabric/piece/pieceCutWidth/@um) [Optional] [Default= CMT]</p> <p>(XPath TEXKitDesRequest/TKRbody/TKRitem/kitAccessory/qty/@um) [Required]</p> <p>(XPath TEXKitDesRequest/shipInfo/packages/packageDim/length/@um) [Required]</p> <p>(XPath TEXKitDesRequest/TKRbody/TKRitem/shipInfo/actualPackageUnit/packageDim/length/@um) [Required]</p> <p>(XPath TEXKitDesRequest/shipInfo/packages/packageDim/width/@um) [Required]</p> <p>(XPath TEXKitDesRequest/shipInfo/actualPackageUnit/volume/@um) [Required]</p> <p>(XPath TEXKitDesRequest/TKRbody/TKRitem/kitFabric/qtyVariance/@um) [Optional]</p> <p>(XPath TEXKitDesRequest/TKRbody/TKRitem/shipInfo/packages/handlingChar/yarnPack/yarnReel/yarnReelQty/@um) [Required]</p> <p>(XPath TEXKitDesRequest/TKRbody/TKRitem/kitAccessory/csRange/sizeMatrix/sizeRow/qty/@um) [Required]</p> <p>(XPath TEXKitDesRequest/TKRbody/TKRitem/kitFabric/qty/@um) [Required]</p> <p>(XPath TEXKitDesRequest/shipInfo/transInfo/grossWeight/@um) [Required]</p> <p>(XPath TEXKitDesRequest/TKRbody/TKRitem/shipInfo/transInfo/netWeight/@um) [Required]</p> <p>(XPath TEXKitDesRequest/TKRbody/TKRitem/shipInfo/transInfo/grossWeight/@um) [Required]</p> <p>(XPath TEXKitDesRequest/TKRbody/TKRitem/shipInfo/packages/handlingChar/yarnPack/yarnReel/yarnReelH/@um) [Required]</p> <p>(XPath TEXKitDesRequest/shipInfo/packages/handlingChar/yarnPack/yarnReel/yarnReelH/@um) [Required]</p> <p>(XPath TEXKitDesRequest/TKRbody/TKRitem/shipInfo/packages/packageDim/height/@um) [Required]</p> <p>(XPath TEXKitDesRequest/TKRbody/TKRitem/shipInfo/packages/packageDim/length/@um) [Required]</p> <p>(XPath TEXKitDesRequest/TKRbody/TKRitem/shipInfo/packages/packageDim/width/@um) [Required]</p> <p>(XPath TEXKitDesRequest/TKRbody/TKRitem/shipInfo/packages/handlingChar/yarnPack/yarnReel/yarnReelID/@um) [Required]</p> <p>(XPath TEXKitDesRequest/shipInfo/packages/handlingChar/yarnPack/yarnReel/yarnReelQty/@um) [Required]</p> <p>(XPath TEXKitDesRequest/shipInfo/packages/handlingChar/yarnPack/yarnReel/yarnReelID/@um) [Required]</p> <p>(XPath TEXKitDesRequest/TKRbody/TKRitem/kitFabric/piece/pieceAllow/@um) [Required]</p> <p>(XPath TEXKitDesRequest/shipInfo/actualPackageUnit/netWeight/@um) [Required]</p> <p>(XPath TEXKitDesRequest/TKRbody/TKRitem/shipInfo/packages/handlingChar/grossWeight/@um) [Required]</p>
--	--

	<p>(XPath TEXKitDesRequest/shipInfo/packages/packageDim/height/@um) [Required]</p> <p>(XPath TEXKitDesRequest/shipInfo/actualPackageUnit/packageDim/height/@um) [Required]</p> <p>(XPath TEXKitDesRequest/TKRbody/TKRitem/shipInfo/packages/handlingChar/netWeight/@um) [Required]</p> <p>(XPath TEXKitDesRequest/TKRbody/TKRitem/shipInfo/packages/minItemsPerPackage/@um) [Required] (a)</p> <p>(XPath TEXKitDesRequest/TKRbody/TKRitem/kitFabric/piece/pieceLength/@um) [Optional] [Default= MTR]</p> <p>(XPath TEXKitDesRequest/TKRbody/TKRitem/shipInfo/packages/itemsPerPackage/@um) [Required] (a)</p> <p>(XPath TEXKitDesRequest/TKRbody/TKRitem/kitFabric/piece/grossWeight/@um) [Required]</p> <p>(XPath TEXKitDesRequest/shipInfo/transInfo/netWeight/@um) [Required]</p> <p>(XPath TEXKitDesRequest/shipInfo/actualPackageUnit/packageDim/length/@um) [Required]</p> <p>(XPath TEXKitDesRequest/shipInfo/actualPackageUnit/packageDim/width/@um) [Required]</p> <p>(XPath TEXKitDesRequest/shipInfo/actualPackageUnit/grossWeight/@um) [Required]</p> <p>(XPath TEXKitDesRequest/TKRbody/TKRitem/shipInfo/packages/handlingChar/volume/@um) [Required]</p>
uri	<p>Uniform Resource Identifier (URI) that identifies the external object as an Internet resource</p> <p>- base type: normalizedString,</p> <p>(XPath TEXKitDesRequest/TKRbody/TKRitem/refDoc/attachment/externalReference/uri) 1-1 (N)</p> <p>(XPath TEXKitDesRequest/TRheader/refDoc/attachment/externalReference/uri) 1-1 (N)</p>
@useProfile	<p>use profile to which the present document is compliant if it was agreed by the parties. It is suggested a URI with reference to the firms or the URL of the profile.</p> <p>- base type: string,</p> <p>(XPath TEXKitDesRequest/@useProfile) [Optional]</p>
variantCode	<p>Code of variant used for fashion product.</p> <p>- base type: string,</p> <p>(XPath TEXKitDesRequest/TKRbody/TKRitem/kitAccessory/csRange/garmentVariant/variantCode) 1-1 (N)</p>
variantType	<p>Type of variant used for fashion product (examples: 'treatment', 'washing type', 'size class',...)</p> <p>- base type: string,</p> <p>(XPath TEXKitDesRequest/TKRbody/TKRitem/kitAccessory/csRange/garmentVariant/variantType) 1-1 (N)</p>
@varReason	<p>reason for the difference between the two quantities specified by the context</p> <p>- base type: string, cod. table: T46</p> <p>http://www.ebiz.enea.it/moda-ml/repository/codelist/v2018-1/gc_T46.xml</p> <p>(XPath TEXKitDesRequest/TKRbody/TKRitem/kitFabric/qtyVariance/@varReason) [Optional]</p>
@VAT	<p>VAT rate or code (DEPRECATED, use dtScheme element)</p> <p>- base type: string, cod. table: NT16</p> <p>http://www.ebiz.enea.it/moda-ml/repository/codelist/v2018-1/gc_NT16.xml</p> <p>(XPath TEXKitDesRequest/TKRbody/TKRitem/thirdParty/@VAT) [Optional]</p> <p>(XPath TEXKitDesRequest/TRheader/thirdParty/@VAT) [Optional]</p> <p>(XPath TEXKitDesRequest/TKRbody/TKRitem/lineN/@VAT) [Optional]</p> <p>- nota: <i>Deprecated, prefer dtScheme when available.</i></p>
@version	<p>Dictionary version from which the instance has been created</p> <p>- base type: string, cod. table: NT100</p> <p>http://www.ebiz.enea.it/moda-ml/repository/codelist/v2018-1/gc_NT100.xml</p> <p>(XPath TEXKitDesRequest/@version) [Optional] [Default= 2018-1]</p>

volume	<p>effective volume of a specified object</p> <p>- base type: decimal, min inclusive: 0, fraction digits: 2, (XPath TEXKitDesRequest/TKRbody/TKRitem/shipInfo/actualPackageUnit/volume) 0-1 (XPath TEXKitDesRequest/TKRbody/TKRitem/shipInfo/packages/handlingChar/volume) 0-1 (p) (XPath TEXKitDesRequest/shipInfo/packages/handlingChar/volume) 0-1 (p) (XPath TEXKitDesRequest/shipInfo/actualPackageUnit/volume) 0-1</p>
width	<p>effective width of a specified object</p> <p>- base type: decimal, min inclusive: 0, fraction digits: 2, (XPath TEXKitDesRequest/shipInfo/packages/packageDim/width) 0-1 (XPath TEXKitDesRequest/shipInfo/actualPackageUnit/packageDim/width) 0-1 (XPath TEXKitDesRequest/TKRbody/TKRitem/shipInfo/actualPackageUnit/packageDim/width) 0-1 (XPath TEXKitDesRequest/TKRbody/TKRitem/shipInfo/packages/packageDim/width) 0-1</p>
yarnConeAngle	<p>tapering angle of the cone on which a yarn is reeled</p> <p>- base type: positiveInteger, (XPath TEXKitDesRequest/TKRbody/TKRitem/shipInfo/packages/handlingChar/yarnPack/yarnReel/yarnConeAngle) 0-1 (XPath TEXKitDesRequest/shipInfo/packages/handlingChar/yarnPack/yarnReel/yarnConeAngle) 0-1</p>
yarnOutWrap	<p>code specifying the type of outer wrapping or packing of a yarn</p> <p>- base type: string, cod. table: T33 http://www.ebiz.enea.it/moda-ml/repository/codelist/v2018-1/gc_T33.xml (XPath TEXKitDesRequest/shipInfo/packages/handlingChar/yarnPack/yarnOutWrap) 0-1 (XPath TEXKitDesRequest/TKRbody/TKRitem/shipInfo/packages/handlingChar/yarnPack/yarnOutWrap) 0-1</p>
yarnOutWrapText	<p>free text specifying the type of outer wrapping or packing of a yarn</p> <p>- base type: string, max length: 250, (XPath TEXKitDesRequest/TKRbody/TKRitem/shipInfo/packages/handlingChar/yarnPack/yarnOutWrapText) 0-1 (U) (XPath TEXKitDesRequest/shipInfo/packages/handlingChar/yarnPack/yarnOutWrapText) 0-1 (U)</p>
yarnReelD	<p>diameter of the bobbin used for a yarn product</p> <p>- base type: decimal, min inclusive: 0, fraction digits: 2, (XPath TEXKitDesRequest/shipInfo/packages/handlingChar/yarnPack/yarnReel/yarnReelD) 0-1 (XPath TEXKitDesRequest/TKRbody/TKRitem/shipInfo/packages/handlingChar/yarnPack/yarnReel/yarnReelD) 0-1</p>
yarnReelH	<p>height of the bobbin used a yarn product</p> <p>- base type: decimal, min inclusive: 0, fraction digits: 2, (XPath TEXKitDesRequest/shipInfo/packages/handlingChar/yarnPack/yarnReel/yarnReelH) 0-1 (XPath TEXKitDesRequest/TKRbody/TKRitem/shipInfo/packages/handlingChar/yarnPack/yarnReel/yarnReelH) 0-1</p>
yarnReelQty	<p>quantity of yarn (by weight or length) wound upon a bobbin</p> <p>- base type: decimal, min inclusive: 0, fraction digits: 2, (XPath TEXKitDesRequest/TKRbody/TKRitem/shipInfo/packages/handlingChar/yarnPack/yarnReel/yarnReelQty) 0-2 (XPath TEXKitDesRequest/shipInfo/packages/handlingChar/yarnPack/yarnReel/yarnReelQty) 0-2</p>
yarnReelWrap	<p>type of wrapping in which a package of yarn is wrapped</p> <p>- base type: string, cod. table: T32 http://www.ebiz.enea.it/moda-ml/repository/codelist/v2018-1/gc_T32.xml (XPath TEXKitDesRequest/TKRbody/TKRitem/shipInfo/packages/handlingChar/yarnPack/yarnInWrap/yarnReelWrap) 1-1</p>

	(XPath TEXKitDesRequest/shipInfo/packages/handlingChar/ yarnPack/yarnInWrap/yarnReelWrap) 1-1
--	--

2.3 Suggested best practices

TEXKitDesRequest/TRheader/refDoc/docID (identification number of the referenced document SINCE 2008-1 ITS USE IN THE HEADER IS DISCOURAGED (REPLACED BY msgID))

numberingOrg indicates the role that produced the document identifier (it is allowed to declare two different ones -e.g. customer and supplier - with two docID with different numberingOrg

TEXKitDesRequest/TKRbody/TKRitem/refDoc/docID (identification number of the referenced document SINCE 2008-1 ITS USE IN THE HEADER IS DISCOURAGED (REPLACED BY msgID))

numberingOrg indicates the role that produced the document identifier (it is allowed to declare two different ones -e.g. customer and supplier - with two docID with different numberingOrg

TEXKitDesRequest/TRheader/refDoc/attachment/

externalReference/mimeCode (mime type of the external object)

Use coding from IANA <http://www.iana.org/assignments/media-types/media-types.xml>

TEXKitDesRequest/TKRbody/TKRitem/refDoc/

attachment/externalReference/mimeCode (mime type of the external object)

Use coding from IANA <http://www.iana.org/assignments/media-types/media-types.xml>

TEXKitDesRequest/TKRbody/TKRitem/kitAccessory/qty (net quantity of the article or object correlated, qualified by the function of the document (ordering, delivering, ..) and by the context)

this element can have two instances only if the units of measure are different

TEXKitDesRequest/TKRbody/TKRitem/kitAccessory/

itemsList/itemIdentification/serialIN (serial number used for the identification of a physical unit)

in the case of garment with RFID for anti-counterfeiting, RFID EPCGlobal for logistics and NFC for the customer experience there should be three serial elements with pairs of attributes numberingOrg/idQualifier: "CL"/"RFID", "GS1"/"RFID", "CL"/"NFC".

TEXKitDesRequest/shipInfo/actualPackageUnit/

itemsList/itemIdentification/serialIN (serial number used for the identification of a physical unit)

in the case of garment with RFID for anti-counterfeiting, RFID EPCGlobal for logistics and NFC for the customer experience there should be three serial elements with pairs of attributes numberingOrg/idQualifier: "CL"/"RFID", "GS1"/"RFID", "CL"/"NFC".

TEXKitDesRequest/TKRbody/TKRitem/shipInfo/

actualPackageUnit/itemsList/itemIdentification/serialIN (serial number used for the identification of a physical unit)

in the case of garment with RFID for anti-counterfeiting, RFID EPCGlobal for logistics and NFC for the customer experience there should be three serial elements with pairs of attributes numberingOrg/idQualifier: "CL"/"RFID", "GS1"/"RFID", "CL"/"NFC".

TEXKitDesRequest/TKRbody/TKRitem/kitFabric/piece/serialIN (serial number used for the identification of a physical unit)

This element might contain also codes for RFID devices.

TEXKitDesRequest/TKRbody/TKRitem/kitAccessory/

csRange/sizeMatrix/sizeRow/itemsList/itemIdentification/serialIN (serial number used for the identification of a physical unit)

in the case of garment with RFID for anti-counterfeiting, RFID EPCGlobal for logistics and NFC for the customer experience there should be three serial elements with pairs of attributes numberingOrg/idQualifier: "CL"/"RFID", "GS1"/"RFID", "CL"/"NFC".

2.4 Enumeration tables

List of enumeration tables used in the XML document. You can find the corresponding codes at:
<http://www.ebiz-tcf.eu/moda-ml/imple/moda-ml-2018-1.asp?lingua=en&pag=6>

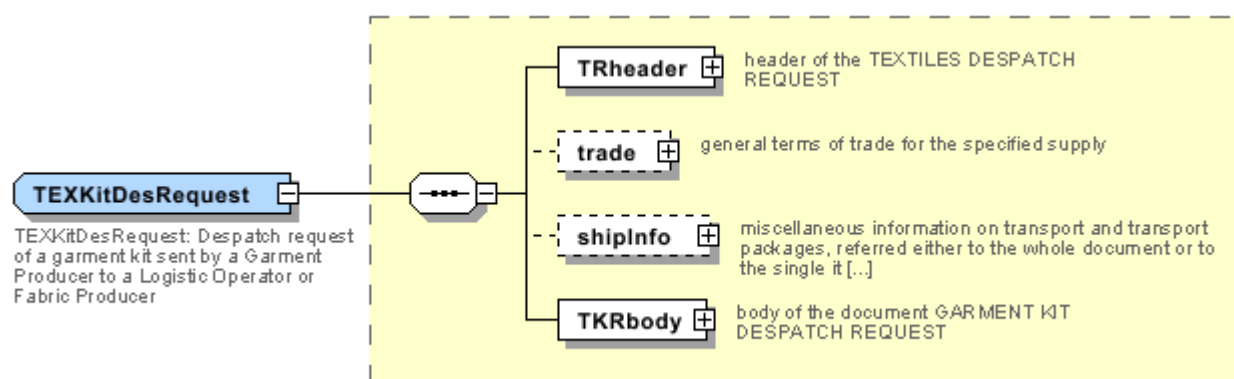
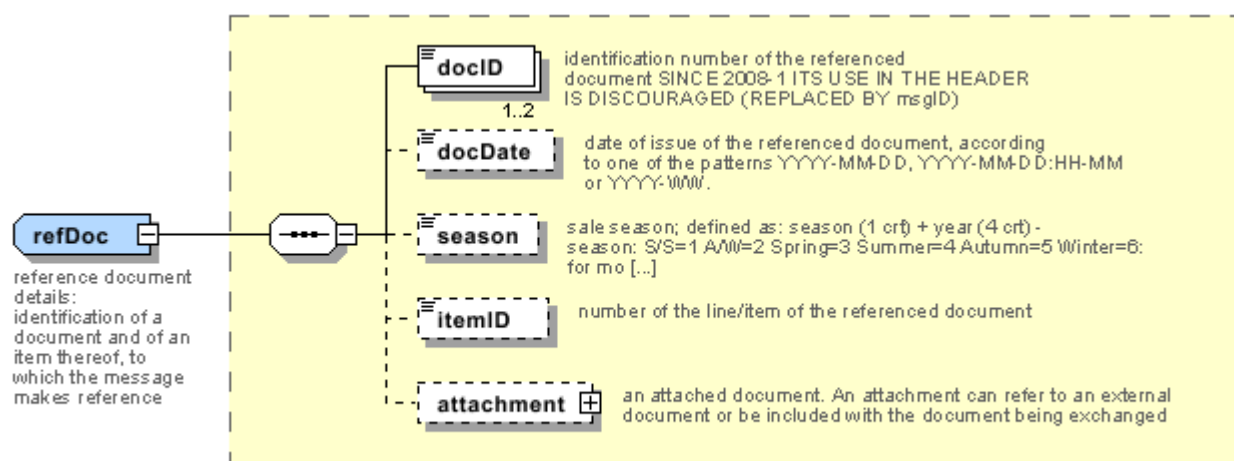
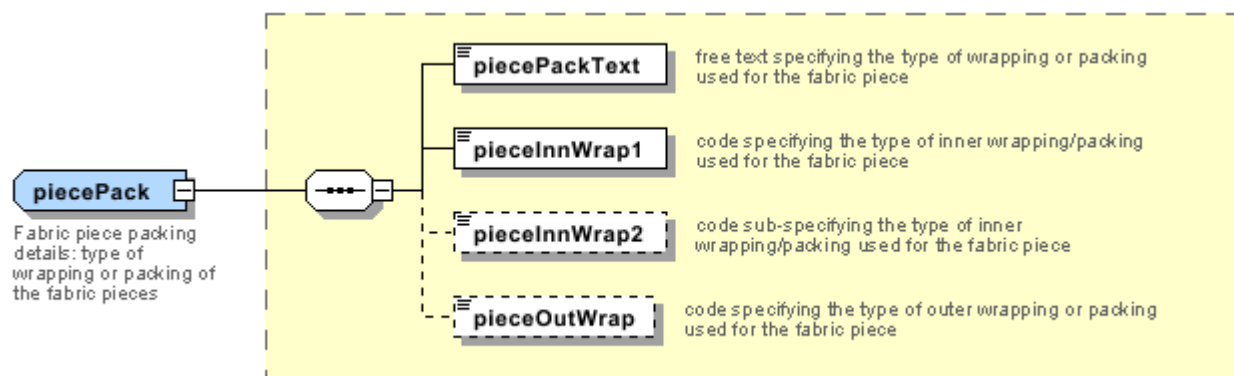
Legenda

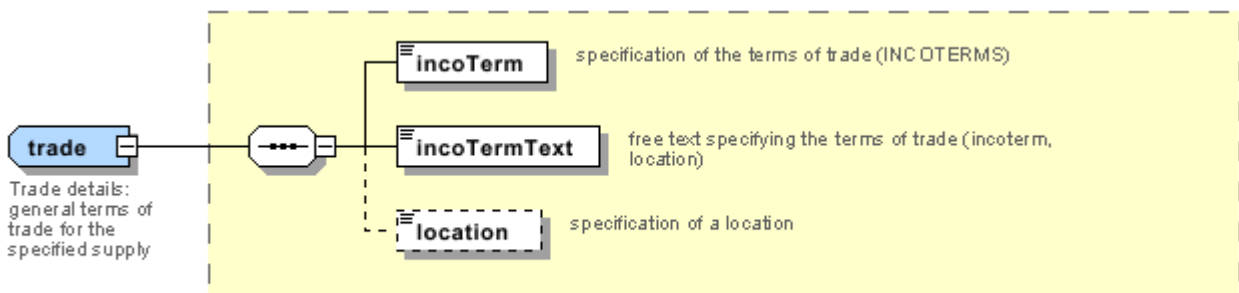
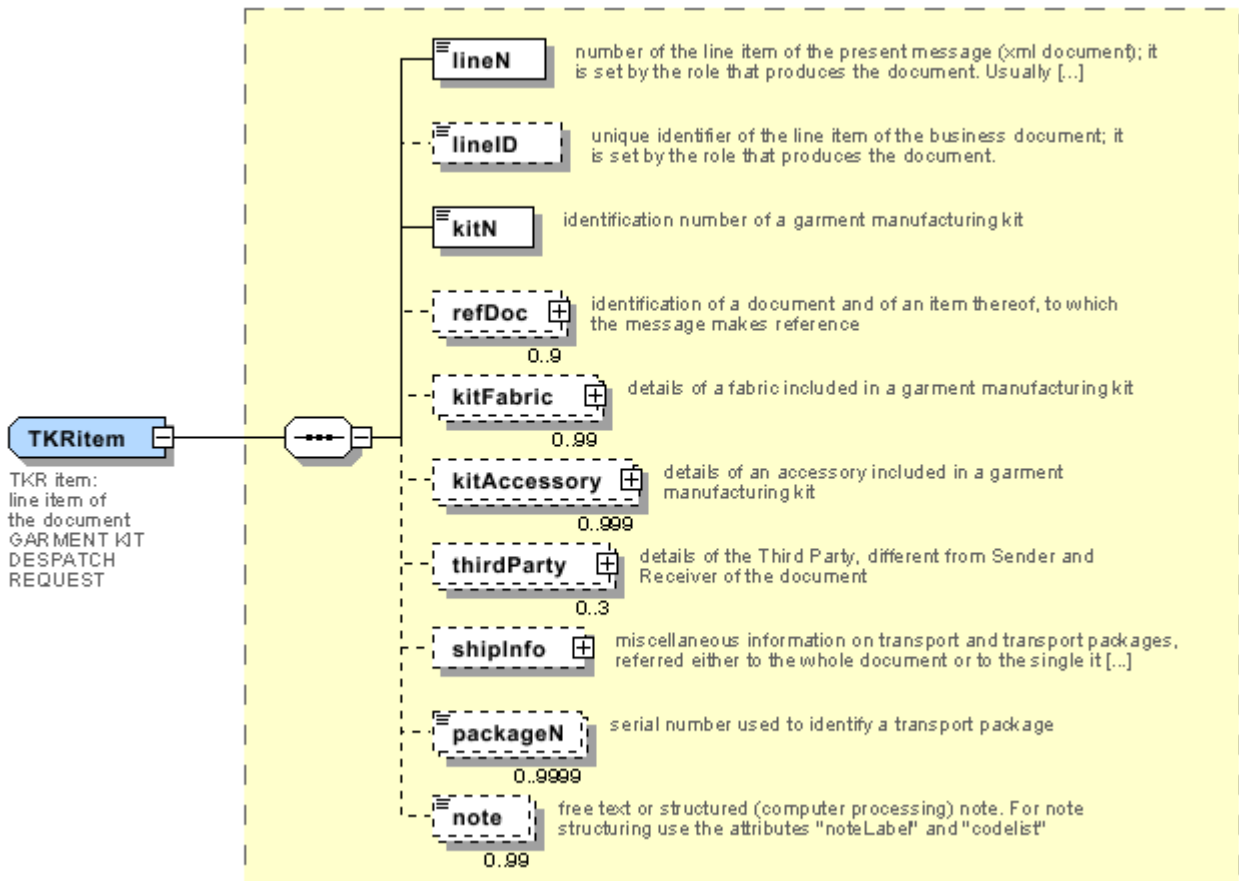
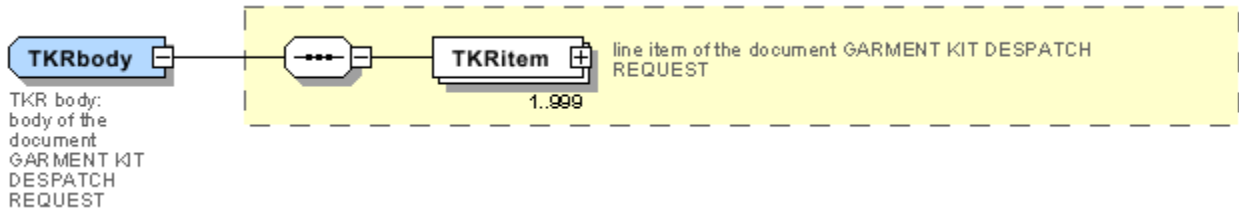
- N: new table
- U: updated properties

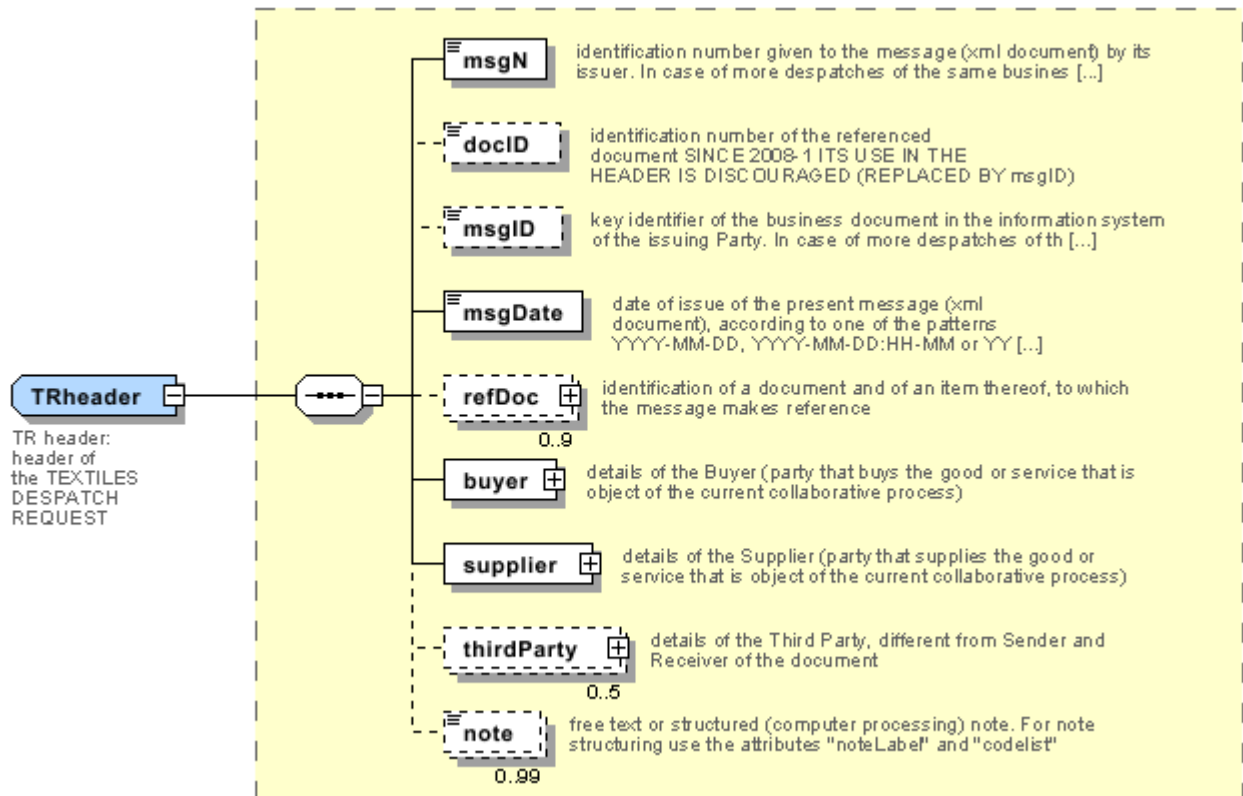
NT100 - eBIZ TCFUpstream version
NT11 - transport causal
NT16 - VAT rate or code
NT18 - message function
NT2 - third party qualifier
NT29 - format of a date
NT3 - data format
NT4 - end use
NT51 - Filling Criterion for Package homogeneity (N)
NT6 - coding system owner/issuer
NT60 - language, codes from ISO 639-1 (subset) (N)
NT7 - unit of measure (U)
NT9 - Despatch Request type
T10 - ISO3166 - Country
T11 - transport package type (U)
T19 - fibre type
T21 - type of document
T29 - type of yarn package
T3 - terms of delivery
T30 - support of yarn package - material
T32 - yarn reel wrapping type
T33 - yarn outer packing
T38 - transport conditions
T4 - fabric piece inner packing (wrapping) 1
T40 - type of transport means
T421 - size system: nationality
T422 - size system: market segment
T423 - size system: base
T44 - additional code type
T46 - quantity variance reason
T5 - fabric piece inner packing (wrapping) 2
T52 - fabric piece status
T6 - fabric piece outer packing
T8 - Modes of Transport

Annex A

Representative images of the principal complex elements' structure.







Annex B

NT100 - eBIZ TCFUpstream version

dictionary version

Agency name: eBIZ

tabella cod.: NT100

File codes list (Generic code): http://www.ebiz.enea.it/moda-ml/repository/codelist/v2018-1/gc_NT100.xml

Code	Description	Adoption note	Version status	Date of insertion
2013-1	v2013-1			01/07/2013
2018-1	v2018-1		(N)	04/11/2018
draft	draft		(N)	08/09/2017

NT11 - transport causal

reason for the transport

Agency name: eBIZ

tabella cod.: NT11

File codes list (Generic code): http://www.ebiz.enea.it/moda-ml/repository/codelist/v2018-1/gc_NT11.xml

Code	Description	Adoption note	Version status	Date of insertion
FOC	free of charge			
FRW	return from re-works			
FST	return from storage			
FWW	return from view			
FWK	return from works			
IST	in storage			
NWK	return non-worked			
RJC	return from rejection			
SEL	to sell			
STO	to storage			
VEW	to view			
WRK	to works			

NT16 - VAT rate or code

VAT rate or code (DEPRECATED, use dtScheme element)

tabella cod.: NT16

File codes list (Generic code): http://www.ebiz.enea.it/moda-ml/repository/codelist/v2018-1/gc_NT16.xml

NT18 - message function

function performed by the present message with regards to the transmission

Agency name: eBIZ

tabella cod.: NT18

File codes list (Generic code): http://www.ebiz.enea.it/moda-ml/repository/codelist/v2018-1/gc_NT18.xml

Code	Description	Adoption note	Version status	Date of insertion
CA	delete this document			01/07/2013
CP	copy			
OR	original			
RC	re-transmission for data correction			
RT	re-transmission			

NT2 - third party qualifier

Third Party role qualifier

Agency name: eBIZ

tabella cod.: NT2

File codes list (Generic code): http://www.ebiz.enea.it/moda-ml/repository/codelist/v2018-1/gc_NT2.xml

Code	Description	Adoption note	Version status	Date of insertion
AG	Sales Agent			
AU	Auditor		(N)	08/04/2019
CE	Certification authority		(N)	08/04/2019
CO	Quality Controller			
DC	Response to			
DF	Invoicee			
DI	Copy to (CC)			28/10/2014
DM	Consignee			
DP	Consignment address (Delivery Party)			
IM	Importer			

OR	Originator			10/09/2014
SC	Sub contractor		(N)	10/04/2019
SM	Service/ePlatform manager		(N)	08/04/2019
SP	Forwarder			
TX	Tax Representative			

NT29 - format of a date

format used for the date

Agency name: eBIZ

tabella cod.: NT29

File codes list (Generic code): http://www.ebiz.enea.it/moda-ml/repository/codelist/v2018-1/gc_NT29.xml

Code	Description	Adoption note	Version status	Date of insertion
D	YYYY-MM-DD			
M	YYYY-MM-DD:HH-MM			
W	YYYY-WW			

NT3 - data format

format of a string according to a customized User rule (local rule)

Agency name: eBIZ

tabella cod.: NT3

File codes list (Generic code): http://www.ebiz.enea.it/moda-ml/repository/codelist/v2018-1/gc_NT3.xml

Code	Description	Adoption note	Version status	Date of insertion
EN4	GS1-GLN			01/07/2013
MD	mutually agreed			

NT4 - end use

specifies the final use of the product

Agency name: eBIZ

tabella cod.: NT4

File codes list (Generic code): http://www.ebiz.enea.it/moda-ml/repository/codelist/v2018-1/gc_NT4.xml

Code	Description	Adoption note	Version status	Date of insertion
PC	test piece			
PR	production			
SA	Sample		(N)	10/09/2014
SC	samples card			
TI	patch			
TP	(test cut)			

NT51 - Filling Criterion for Package homogeneity (N)

Filling Criterion for Package homogeneity

Agency name: eBIZ

tabella cod.: NT51

File codes list (Generic code): http://www.ebiz.enea.it/moda-ml/repository/codelist/v2018-1/gc_NT51.xml

Code	Description	Adoption note	Version status	Date of insertion
COL	Colour		(N)	08/09/2017
MOD	Model		(N)	08/09/2017
SIZ	Size		(N)	08/09/2017

NT6 - coding system owner/issuer

code specifying the organisation who has created or owns the coding or numbering system

Agency name: eBIZ

tabella cod.: NT6

File codes list (Generic code): http://www.ebiz.enea.it/moda-ml/repository/codelist/v2018-1/gc_NT6.xml

Code	Description	Adoption note	Version status	Date of insertion
CL	Customer/buyer			
CO	Quality Controller			
EB	eBIZ	replaces 'ML'	(N)	18/03/2019
EN	GS1 (ex-EAN International)			
ES	e-Stockflow			
FO	Supplier			
GS	GS1			01/07/2013

MF	VAT identifier		(U)	
ML	Moda-ML	DEPRECATED	(U)	
SP	Service Provider			

NT60 - language, codes from ISO 639-1 (subset) (N)

Agency name: eBIZ / ISO

tabella cod.: NT60

File codes list (Generic code): http://www.ebiz.enea.it/moda-ml/repository/codelist/v2018-1/gc_NT60.xml

Code	Description	Adoption note	Version status	Date of insertion
af	Afrikaans		(N)	31/01/2019
ar	Arabic		(N)	31/01/2019
be	Belarusian		(N)	31/01/2019
bg	Bulgarian		(N)	31/01/2019
bn	Bengali		(N)	31/01/2019
bo	Tibetan		(N)	31/01/2019
bs	Bosnian		(N)	31/01/2019
ca	Catalan, Valencian		(N)	31/01/2019
cs	Czech		(N)	31/01/2019
da	Danish		(N)	31/01/2019
de	German		(N)	31/01/2019
el	Greek, Modern (1453-)		(N)	31/01/2019
en	English		(N)	31/01/2019
eo	Esperanto		(N)	31/01/2019
es	Spanish, Castilian		(N)	31/01/2019
et	Estonian		(N)	31/01/2019
eu	Basque		(N)	31/01/2019
F	Female		(N)	15/04/2019
fa	Persian		(N)	31/01/2019
fi	Finnish		(N)	31/01/2019
fr	French		(N)	31/01/2019
ga	Irish		(N)	31/01/2019
gd	Gaelic, Scottish Gaelic		(N)	31/01/2019
gn	Guarani		(N)	31/01/2019
he	Hebrew		(N)	31/01/2019

hr	Croatian		(N)	31/01/2019
ht	Haitian, Haitian Creole		(N)	31/01/2019
hu	Hungarian		(N)	31/01/2019
hy	Armenian		(N)	31/01/2019
ia	Interlingua (International Auxiliary Language Association)		(N)	31/01/2019
id	Indonesian		(N)	31/01/2019
is	Icelandic		(N)	31/01/2019
it	Italian		(N)	31/01/2019
ja	Japanese		(N)	31/01/2019
jv	Javanese		(N)	31/01/2019
ka	Georgian		(N)	31/01/2019
km	Central Khmer		(N)	31/01/2019
ko	Korean		(N)	31/01/2019
ku	Kurdish		(N)	31/01/2019
lb	Luxembourgish, Letzeburgesch		(N)	31/01/2019
lo	Lao		(N)	31/01/2019
lt	Lithuanian		(N)	31/01/2019
lv	Latvian		(N)	31/01/2019
mg	Malagasy		(N)	31/01/2019
mk	Macedonian		(N)	31/01/2019
mn	Mongolian		(N)	31/01/2019
mt	Maltese		(N)	31/01/2019
nl	Dutch, Flemish		(N)	31/01/2019
no	Norwegian		(N)	31/01/2019
pl	Polish		(N)	31/01/2019
pt	Portuguese		(N)	31/01/2019
ro	Romanian, Moldavian, Moldovan		(N)	31/01/2019
ru	Russian		(N)	31/01/2019
se	Northern Sami		(N)	31/01/2019
sk	Slovak		(N)	31/01/2019
sl	Slovenian		(N)	31/01/2019
sm	Samoan		(N)	31/01/2019
so	Somali		(N)	31/01/2019
sq	Albanian		(N)	31/01/2019
sr	Serbian		(N)	31/01/2019

sv	Swedish		(N)	31/01/2019
sw	Swahili		(N)	31/01/2019
ta	Tamil		(N)	31/01/2019
th	Thai		(N)	31/01/2019
tr	Turkish		(N)	31/01/2019
uk	Ukrainian		(N)	31/01/2019
ur	Urdu		(N)	31/01/2019
uz	Uzbek		(N)	31/01/2019
vi	Vietnamese		(N)	31/01/2019
zh	Chinese		(N)	31/01/2019

NT7 - unit of measure (U)

specification of the unit of measure, it is a sub set of table Unit of Measure Code - UN/ECE REC 20 delivered by United Nations Economic Commission for Europe (UN/ECE)

Agency name: eBIZ / UN/ECE

tabella cod.: NT7

File codes list (Generic code): http://www.ebiz.enea.it/moda-ml/repository/codelist/v2018-1/gc_NT7.xml

Other link: <http://docs.oasis-open.org/ubl/os-UBL-2.1/cl/gc/default/UnitOfMeasureCode-2.1.gc#>

Code	Description	Adoption note	Version status	Date of insertion
CMK	square centimetre		(N)	20/12/2017
CMQ	cubic centimetre		(N)	20/12/2017
CMT	centimetre			
CNE	centiNewton			
CO2TON	ton of CO2		(N)	10/09/2014
COUPLES	couples			
DMQ	cubic decimetre			
E37	pixel		(N)	11/04/2018
GRM	gram			
HUR	hour			
INH	inch			
KGM	kilogram			
KMT	kilometer			
KWH	kilowatthours		(N)	10/09/2014
LBR	pound			

MIN	minute			
MMK	square millimetre		(N)	20/12/2017
MTK	square metre		(N)	20/12/2017
MTQ	cubic metre			
MTR	metre			
NMB	numero			
ONZ	ounce			
P1	percent			
PPM	parts per milion			
PZ	piece		(U)	
RPM	rounds per metre			
YRD	yard			

NT9 - Despatch Request type

type of Despatch request

Agency name: eBIZ

tabella cod.: NT9

File codes list (Generic code): http://www.ebiz.enea.it/moda-ml/repository/codelist/v2018-1/gc_NT9.xml

Code	Description	Adoption note	Version status	Date of insertion
CHG	change			
STD	standard			

T10 - ISO3166 - Country

code of the nation

Agency name: ISO

tabella cod.: T10

File codes list (Generic code): http://www.ebiz.enea.it/moda-ml/repository/codelist/v2018-1/gc_T10.xml

Table not printed: there are 239 elements, more than the maximum specified for printing: 99.

T11 - transport package type (U)

code specifying the type of package used for transport and delivery (subset of UN/ECE 8053 and UBL TransportEquipmentTypeCode-2.1)

Agency name: eBIZ

tabella cod.: T11

File codes list (Generic code): http://www.ebiz.enea.it/moda-ml/repository/codelist/v2018-1/gc_T11.xml

Other link: <http://docs.oasis-open.org/ubl/os-UBL-2.1/cl/gc/default/TransportEquipmentTypeCode-2.1.gc#>

Code	Description	Adoption note	Version status	Date of insertion
4A	box, steel		(U)	
4C	box, wood		(U)	
4G	Box, fibreboard		(N)	01/08/2018
4H	Box, plastic		(N)	01/08/2018
5H	Bag, woven plastic		(N)	01/08/2018
5L	Bag, textile		(N)	01/08/2018
5M	Bag, paper		(U)	
AJ	Cone		(N)	01/08/2018
BL	Bale, compressed		(N)	01/08/2018
BN	Bale, non-compressed		(N)	01/08/2018
BX	Box		(U)	
CI	Canister		(N)	01/08/2018
CL	Coil		(N)	01/08/2018
CN	Container, not otherwise specified as transport equipment		(N)	01/08/2018
CS	Case		(N)	01/08/2018
CT	Carton		(N)	01/08/2018
EC	Bag, plastic		(N)	01/08/2018
ED	Case, with pallet base		(N)	01/08/2018
EE	Case, with pallet base, wooden		(N)	01/08/2018
EF	Case, with pallet base, cardboard		(N)	01/08/2018
EG	Case, with pallet base, plastic		(N)	01/08/2018
EH	Case, with pallet base, metal		(N)	01/08/2018
FX	Bag, flexible container		(N)	01/08/2018
HN	Hanger		(N)	01/08/2018
NE	unpacked		(U)	
NF	Unpacked or unpackaged, single unit		(N)	01/08/2018
NG	Unpacked or unpackaged, multiple units		(N)	01/08/2018
OA	Pallet, CHEP 40 cm x 60 cm		(N)	01/08/2018
OB	Pallet, CHEP 80 cm x 120 cm		(N)	01/08/2018
OC	Pallet, CHEP 100 cm x 120 cm		(N)	01/08/2018

OD	Pallet, AS 4068-1993		(N)	01/08/2018
OE	Pallet, ISO T11		(N)	01/08/2018
PE	europallet (80x120)			
PX	pallet		(U)	
QS	box, plastic, solid		(U)	
RJ	Rack, clothing hanger		(N)	01/08/2018
RL	Reel		(N)	01/08/2018
SO	Spool		(N)	01/08/2018
TU	tube		(U)	
XD	bag, plastics film		(U)	
XK	bag,paper, multi-wall, water resistant		(U)	
ZZ	Mutually defined		(N)	01/08/2018

T19 - fibre type

type of fibre used in a textile product

Agency name: eBIZ

tabella cod.: T19

File codes list (Generic code): http://www.ebiz.enea.it/moda-ml/repository/codelist/v2018-1/gc_T19.xml

Code	Description	Adoption note	Version status	Date of insertion
AB	abaca			20/08/2018
AC	acetate			
AF	other fibres			
AG	alginic fibre			
AL	alfa			20/08/2018
CA	hemp			
CC	coir (coconut)			20/08/2018
CL	chlorofibre			
CO	cotton			
CU	cuprous			
EA	elastan			
EL	Elastodiene			20/08/2018
FL	fluorofibre			
GI	broom			20/08/2018
GL	textile glass			

HA	hair			20/08/2018
HE	henequen			20/08/2018
HL	mixed linen			
HL	cotton linen union			20/08/2018
JU	jute			
KE	kenaf			20/08/2018
KP	kapoc			20/08/2018
LI	linen			
LY	lyocell			20/08/2018
MA	modacrylic			
MD	modal			
ME	metallized			
MG	maguey			20/08/2018
PA	polyamide			
PB	polyureic			
PC	acrylic			
PE	polyethylene			
PI	paper			20/08/2018
PL	polyester			
PM	polyimide			
PP	polypropylene			
PR	proteic			
PU	polyurethane			
RA	mamie			20/08/2018
SE	silk			
SI	sisal			20/08/2018
SN	sun			20/08/2018
TA	triacetate			
TR	textile residues or unspecified composition			20/08/2018
TV	trivinyll			
VI	viscose			
VY	vinylal			
WA	angora			
WB	beaver			20/08/2018
WC	cashgora			

WG	vicuna			
WK	camel			
WL	llama			
WM	mohair			
WN	lapin			20/08/2018
WO	wool			
WP	alpaca			
WS	cashmere			
WT	Oteer			20/08/2018
WU	guanaco			
WV	virgin wool			
WY	yack			

T21 - type of document

type or class to which the referenced document belongs

Agency name: eBIZ

tabella cod.: T21

File codes list (Generic code): http://www.ebiz.enea.it/moda-ml/repository/codelist/v2018-1/gc_T21.xml

Code	Description	Adoption note	Version status	Date of insertion
BOR	blanket order		(N)	01/02/2018
CAT	Price catalogue - tech sheet			
CEO	Certificate of origin		(N)	13/04/2018
CER	Certificate		(N)	13/04/2018
COC	colour card			
CRN	Credit note			08/09/2017
CTO	Checking order			01/07/2013
CTR	Contract		(U)	
CXF	CxF3 file			01/07/2013
DAD	Darn order			
DDT	ddt			
DEA	Despatch advise			
DER	Despatch request			
DR	Document Request			02/12/2014
FOR	Forecast			02/12/2014

GSO	Garment stock offer			
GSX	Garment stock offer change			
INV	Invoice			
KCC	Knitting-Clothing Commission Order			02/12/2014
KCI	Garment in Work Inventory Report			02/12/2014
M2M	Made to Measure Production Order			02/12/2014
MAS	Master marker			
MCI	Visual merchandising instruction		(N)	13/04/2018
OCH	Order change			
OFF	Offer			
ORD	Purchase order			
ORP	Order response			
OSR	order status request			
OSS	Offer status			02/12/2014
OST	Order status			
OUR	our reference			
QR	Quality Report			02/12/2014
RAI	Raw Material in Work Inventory Report			02/12/2014
RDC	Raw dyeing commission order			
RDH	Raw dyeing order change			
RDR	Raw dyeing order response			
REA	Receiving advise			
REQ	Request for Offer			
RET	Return			02/12/2014
RSC	Spinning commission order			
RSH	Spinning order change			
RSR	Spinning order response			
SCL	process sheet			
TFC	Textile dyeing-finishing commission order			
TFX	Textile Dyeing-Finishing Order Change			02/12/2014
TPC	Textile printing commission order			
TPX	Textile Printing Order Change			02/12/2014
TWI	Textile in work inventory			
VMI	visual merchandising instructions		(N)	01/02/2018
WAC	Warping commission order			

WEC	Weaving commission order			
YDC	Yarn dyeing commission order			
YDH	Yarn dyeing order change			
YDR	Yarn dyeing order response			
YTC	Twisting commission order			
YWI	Yarn in work inventory			

T29 - type of yarn package

type of package (roll-up) used for a yarn product

Agency name: eBIZ

tabella cod.: T29

File codes list (Generic code): http://www.ebiz.enea.it/moda-ml/repository/codelist/v2018-1/gc_T29.xml

Code	Description	Adoption note	Version status	Date of insertion
CIL	bobbin			
CON	cone			
HNK	hank, skein			01/07/2013
MUF	muff, cake			01/07/2013
SPL	spool			
TUB	tube			
XCO	supercone			

T3 - terms of delivery

specification of the terms of trade (INCOTERMS)

Agency name: Incoterms

tabella cod.: T3

File codes list (Generic code): http://www.ebiz.enea.it/moda-ml/repository/codelist/v2018-1/gc_T3.xml

Code	Description	Adoption note	Version status	Date of insertion
CFR	COST AND FREIGHT (named port of destination)			
CIF	COST, INSURANCE AND FREIGHT (named port of destination)			

CIP	CARRIAGE AND INSURANCE PAID (named place of destination)			
CP T	CARRIAGE PAID (named place of destination)			
DA F	DELIVERED AT FRONTIER (named place)	according to Incoterms® 2010 it is obsolete		08/12/2017
DA P	Delivered at Place of destination (named place of destination)	according to Incoterms® 2010		08/12/2017
DA T	Delivered at Terminal (named place of destination)	according to Incoterms® 2010		08/12/2017
DD P	DELIVERED DUTY PAID (named place of destination)			
DD U	DELIVERED DUTY UNPAID (named place of destination)	according to Incoterms® 2010 it is obsolete, use DAP		08/12/2017
DE Q	DELIVERED EX-QUAY (named port of destination)	according to Incoterms® 2010 it is obsolete		08/12/2017
DE S	DELIVERED EX-SHIP (named port of destination)	according to Incoterms® 2010 it is obsolete		08/12/2017
EX W	EX WORKS (named place)			
FA S	FREE ALONGSIDE SHIP (named port of shipment)			
FC A	FREE CARRIER (named place)			
FO B	FREE ON BOARD (named port of shipment)			

T30 - support of yarn package - material

type of material of which a package for yarn is made

Agency name: eBIZ

tabella cod.: T30

File codes list (Generic code): http://www.ebiz.enea.it/moda-ml/repository/codelist/v2018-1/gc_T30.xml

Code	Description	Adoption note	Version status	Date of insertion
CA	cartoon			
DY	for soft package dyeing			
MT	metallic			01/07/2013
PL	plastic			

T32 - yarn reel wrapping type

type of wrapping in which a package of yarn is wrapped

Agency name: eBIZ

tabella cod.: T32

File codes list (Generic code): http://www.ebiz.enea.it/moda-ml/repository/codelist/v2018-1/gc_T32.xml

Code	Description	Adoption note	Version status	Date of insertion
XA	without bag			
XB	paper bag			01/07/2013
XD	plastic film bag			

T33 - yarn outer packing

code specifying the type of outer wrapping or packing of a yarn

Agency name: eBIZ

tabella cod.: T33

File codes list (Generic code): http://www.ebiz.enea.it/moda-ml/repository/codelist/v2018-1/gc_T33.xml

Code	Description	Adoption note	Version status	Date of insertion
00				
CB	cartoon box			
CC	cartoon box 18 reels			
CD	cartoon box 36 reels			
XD	plastic film			

T38 - transport conditions

special condition of transport or special service requested to the Forwarder

tabella cod.: T38

File codes list (Generic code): http://www.ebiz.enea.it/moda-ml/repository/codelist/v2018-1/gc_T38.xml

Code	Description	Adoption note	Version status	Date of insertion
ACC	arrange customs clearance			
CAL	Carrier loads			
CAU	Carrier unloads			

CMR	CMR carnet			
FFN	freight forwarders national conditions			
FLD	special agreement for full loading			
NCC	do not arrange customs clearance			
PPB	packaging paid by Buyer			
PPS	packaging paid by Supplier			
PRO	proof of delivery			
RFR	return container free			
RPC	return container paid by Customer			
RPS	return container paid by Supplier			
SHL	Shipper loads			
SHU	Consignee unloads			

T4 - fabric piece inner packing (wrapping) 1

code specifying the type of inner wrapping/packing used for the fabric piece

Agency name: eBIZ

tabella cod.: T4

File codes list (Generic code): http://www.ebiz.enea.it/moda-ml/repository/codelist/v2018-1/gc_T4.xml

Code	Description	Adoption note	Version status	Date of insertion
A	Folded, whole width			
B	Folded, doubled			
C	Folded, tube products			
D	Spooled, whole width			
E	Spooled, doubled, pli: left			
F	Spooled, doubled, pli: right			
G	Rolled, whole width, single item			
H	Rolled, whole width, several items			
I	Rolled, doubled			
J	Rolled, tube products			

T40 - type of transport means

means of transport, in general or referred to a specific leg

Agency name: eBIZ

tabella cod.: T40

File codes list (Generic code): http://www.ebiz.enea.it/moda-ml/repository/codelist/v2018-1/gc_T40.xml

Code	Description	Adoption note	Version status	Date of insertion
AIR	aircraft			
SHP	ship			
TRU	truck			
VAN	van			

T421 - size system: nationality

nation or agency identifying the size system

Agency name: eBIZ

tabella cod.: T421

File codes list (Generic code): http://www.ebiz.enea.it/moda-ml/repository/codelist/v2018-1/gc_T421.xml

Code	Description	Adoption note	Version status	Date of insertion
DE	Germany			
ES	Spain			
EU	Europe			
FR	France			
IT	Italy			
UK	United Kingdom			
US	USA			
XX	International			

T422 - size system: market segment

market segment identifying the size system

Agency name: eBIZ

tabella cod.: T422

File codes list (Generic code): http://www.ebiz.enea.it/moda-ml/repository/codelist/v2018-1/gc_T422.xml

Code	Description	Adoption note	Version status	Date of insertion
B	baby			

C	child			
K	kid			
M	man			
U	unisex			
W	woman			

T423 - size system: base

base of the size system

Agency name: eBIZ

tabella cod.: T423

File codes list (Generic code): http://www.ebiz.enea.it/moda-ml/repository/codelist/v2018-1/gc_T423.xml

Code	Description	Adoption note	Version status	Date of insertion
1	arab numbers			
2	latin numbers			
3	symbols			
4	letters			
H	height			
L	length			
U	unic			
W	weight			

T44 - additional code type

qualifier of the additional coding of a product

Agency name: eBIZ

tabella cod.: T44

File codes list (Generic code): http://www.ebiz.enea.it/moda-ml/repository/codelist/v2018-1/gc_T44.xml

Code	Description	Adoption note	Version status	Date of insertion
CC	colour card			
CL	sales collection			
CO	company identification code		(N)	08/09/2017
DY	dye number			
LT	lot number			

MDI	Made in			08/09/2017
MS	manufacturing state			
PKG	packaging			09/09/2014
PL	product line			
RGB	RGB value			
SE	servedge code			

T46 - quantity variance reason

reason for the difference between the two quantities specified by the context

Agency name: eBIZ

tabella cod.: T46

File codes list (Generic code): http://www.ebiz.enea.it/moda-ml/repository/codelist/v2018-1/gc_T46.xml

Code	Description	Adoption note	Version status	Date of insertion
DAM	damaged on receipt			
DIF	different article			
NAC	not acceptable for quality or conformance			
NRC	not received			

T5 - fabric piece inner packing (wrapping) 2

code specifying the sub-type of inner wrapping/packing used for the fabric piece

Agency name: eBIZ

tabella cod.: T5

File codes list (Generic code): http://www.ebiz.enea.it/moda-ml/repository/codelist/v2018-1/gc_T5.xml

Code	Description	Adoption note	Version status	Date of insertion
A	Open			
B	Folded once, not looped			
C	Folded twice, not looped			
H	Folded once, looped			
I	Folded twice, looped			
J	Without inner object, right side inside			
K	On carton or spooling plank, right side inside			
L	On spool (for pressure sensitive products), right side inside			

M	Without inner object, left side inside			
N	On carton or spooling plank, left side inside			
O	On spool (for pressure sensitive products), left side inside			
P	Without inner object, right side inside (deprecated code)			
Q	On carton, right side inside			
R	On wooden stick, right side inside			
S	Without inner object, left side inside (deprecated code)			
T	On carton, left side inside			
U	On wooden stick, left side inside			

T52 - fabric piece status

code used to describe the status of a fabric piece with reference to the control

Agency name: eBIZ

tabella cod.: T52

File codes list (Generic code): http://www.ebiz.enea.it/moda-ml/repository/codelist/v2018-1/gc_T52.xml

Code	Description	Adoption note	Version status	Date of insertion
0	first registration			
C	registration from return			
F	stopped			
H	handling			
R	returned			
S	held			
T	deliverable			

T6 - fabric piece outer packing

code specifying the type of outer wrapping or packing used for the fabric piece

Agency name: eBIZ

tabella cod.: T6

File codes list (Generic code): http://www.ebiz.enea.it/moda-ml/repository/codelist/v2018-1/gc_T6.xml

Code	Description	Adoption note	Version status	Date of insertion
0	Not wrapped			
1	Totally wrapped			

2	Wrapped, one side open			
3	Wrapped, both sides open			
4	Wrapped, one side open, with show corner			
5	Wrapped in cartons			
6	Double wrapped			

T8 - Modes of Transport

way of transport, in general or referred to the specified leg

Agency name: eBIZ

tabella cod.: T8

File codes list (Generic code): http://www.ebiz.enea.it/moda-ml/repository/codelist/v2018-1/gc_T8.xml

Code	Description	Adoption note	Version status	Date of insertion
1	MARITIME TRANSPORT			
10	Courier			01/07/2013
2	RAIL TRANSPORT			
3	ROAD TRANSPORT			
4	AIR TRANSPORT			
5	MAIL			
6	AIR + SHIP TRANSPORT			
8	INLAND WATER TRANSPORT			
9	MODE UNKNOWN			

Annex C

New or changed elements towards previous version

Changes or added elements (changes in description excluded; changes in aggregation notes and best practice included): 216

Test Type	Tag	Status	Item type	Changes related to
Child	acsCode	UPDATED	Accessory code	relationship with child: description Property: Cardmax Old value: 1 New value: 999
Element(E)	acsCode	UPDATED	Accessory code	Property: class Old value: <i>garment accessory</i> New value: <i>accessory</i>
Child	acsCode	UPDATED	Accessory code	relationship with child: description Property: Aggregation Note_English Old value: New value: <i>Product description</i>
Element(E)	acsName	UPDATED	Accessory name	Property: class Old value: <i>garment accessory</i> New value: <i>accessory</i>
Attribute	acsPackCode	NEW	Accessory packing code	Has NEW attribute: numbering organisation code
Attribute	acsPackCode	NEW	Accessory packing code	Has NEW attribute: code list reference
Attribute	acsPackCode	NEW	Accessory packing code	Has NEW attribute: code list name
Attribute	acsPackCode	NEW	Accessory packing code	Has NEW attribute: code list version
Element(E)	acsPackCode	UPDATED	Accessory packing code	Property: class Old value: <i>garment accessory</i> New value: <i>accessory</i>
Element(E)	acsPack	UPDATED	Accessory packing details	Property: class Old value: <i>garment accessory</i> New value: <i>accessory</i>
Element(E)	acsPackText	UPDATED	Accessory packing text	Property: Length_Max Old value: 40 New value: 250

Element(E)	acsPackText	UPDATE	Accessory packing text	Property: class Old value: <i>garment accessory</i> New value: <i>accessory</i>
Child	actualPackageUnit	NEW	actual package unit	Has NEW child of: transport package text
Child	actualPackageUnit	NEW	actual package unit	Has NEW child of: transport package dimensions
Child	actualPackageUnit	NEW	actual package unit	Has NEW child of: actual items per package
Attribute	actualPackageUnit	NEW	actual package unit	Has NEW attribute: package level identifier
Child	actualPackageUnit	NEW	actual package unit	Has NEW child of: volume measure
Child	actualPackageUnit	NEW	actual package unit	Has NEW child of: items list
Child	actualPackageUnit	NEW	actual package unit	Has NEW child of: packages list
Child	actualPackageUnit	NEW	actual package unit	Has NEW child of: package identification
Child	actualPackageUnit	NEW	actual package unit	Has NEW child of: package model code
Child	actualPackageUnit	NEW	actual package unit	Has NEW child of: general note
Child	actualPackageUnit	NEW	actual package unit	Has NEW child of: transport package code
Child	actualPackageUnit	NEW	actual package unit	Has NEW child of: net weight measure
Child	actualPackageUnit	NEW	actual package unit	Has NEW child of: gross weight measure
Element(I)	actualItemsPerPackage	NEW	actual items per package	
Element(I)	actualPackageUnit	NEW	actual package unit	
Attribute	additionalIdentifier	NEW	Additional Party Identifier	Has NEW attribute: numbering organisation code
Attribute	additionalIdentifier	NEW	Additional Party Identifier	Has NEW attribute: id Qualifier
Element(I)	additionalComponentCode	NEW	component Code	
Element(I)	additionalIdentifier	NEW	Additional Party Identifier	

Element(E)	art	UPDATE	article identifier	Property: Length_Max Old value: 25 New value: 80
Attribute	art	UPDATE	article identifier	Its attribute: code list reference Property: Aggregation Note_English Old value: <i>this attribute should be ALTERNATIVE to the others</i> New value: <i>at least one out of this attribute and "numberingOrg" should be set</i>
Element(I)	attachment	NEW	attachment	
Child	attachment	NEW	attachment	Has NEW child of: file name
Child	attachment	NEW	attachment	Has NEW child of: external reference
Child	attachment	NEW	attachment	Has NEW child of: binary object
Attribute	binaryObject	NEW	binary object	Has NEW attribute: encoding
Attribute	binaryObject	NEW	binary object	Has NEW attribute: mime
Attribute	binaryObject	NEW	binary object	Has NEW attribute: format
Attribute	binaryObject	NEW	binary object	Has NEW attribute: character set
Element(I)	binaryObject	NEW	binary object	
Child	buyer	NEW	Buyer (*)	Has NEW child of: Party identifier
Child	buyer	NEW	Buyer (*)	Has NEW child of: Additional Party Identifier
Attribute	buyer	NEW	Buyer (*)	Has NEW attribute: sender Party qualifier
Element(I)	characterSetCode	NEW	character set code	
Element(I)	characterSet	NEW	character set	
Child	csRange	NEW	color-size range	Has NEW child of: garment variant
Child	csRange	NEW	color-size range	Has NEW child of: drop identifier

Child	csRange	UPDATE	color-size range	relationship with child: articles colour identifier Property: Aggregation Note_English Old value: New value: <i>used only if not already specified in the article code</i>
Attribute	additional ComponentCode	NEW	component Code	Has NEW attribute: code list reference
Attribute	additional ComponentCode	NEW	component Code	Has NEW attribute: numbering organisation code
Attribute	additional ComponentCode	NEW	component Code	Has NEW attribute: code list version
Attribute	additional ComponentCode	NEW	component Code	Has NEW attribute: code list name
Element(E)	packageContainerN	UPDATE	container reference	Property: Length_Max Old value: 25 New value: 40
Element(E)	deliveryPlace	UPDATE	delivery place	Property: Length_Max Old value: 40 New value: 250
Attribute	description	NEW	description	Has NEW attribute: In
Element(E)	description	UPDATE	description	Property: Length_Max Old value: 70 New value: 250
Attribute	despatch Date	NEW	despatch date	Has NEW attribute: date format
Element(I)	despatch Date	NEW	despatch date	
Element(I)	despatch Place	NEW	despatch place	
Attribute	drop	NEW	drop identifier	Has NEW attribute: numbering organisation code
Attribute	drop	NEW	drop identifier	Has NEW attribute: code list name
Attribute	drop	NEW	drop identifier	Has NEW attribute: code list version
Element(E)	email	UPDATE	e-mail	Property: Length_Max Old value: 80 New value: 250
Element(I)	encoding Code	NEW	encoding code	

Element()	encoding	NEW	encoding	
Child	externalReference	NEW	external reference	Has NEW child of: uri
Child	externalReference	NEW	external reference	Has NEW child of: format code
Child	externalReference	NEW	external reference	Has NEW child of: character set code
Child	externalReference	NEW	external reference	Has NEW child of: mime code
Child	externalReference	NEW	external reference	Has NEW child of: encoding code
Element()	externalReference	NEW	external reference	
Child	piece	NEW	Fabric piece data	Has NEW child of: gross weight measure
Child	piece	UPDATED	Fabric piece data	relationship with child: serial number Property: Cardmax Old value: 3 New value: 9
Child	piece	UPDATED	Fabric piece data	relationship with child: serial number Property: Cardmin Old value: 1 New value: 0
Child	piece	UPDATED	Fabric piece data	relationship with child: serial number Property: BestPractice_English Old value: New value: <i>This element might contain also codes for RFID devices.</i>
Child	piece	UPDATED	Fabric piece data	relationship with child: manufacture lot identifier Property: Cardmax Old value: 1 New value: 2
Child	piece	UPDATED	Fabric piece data	relationship with child: manufacture lot identifier Property: Aggregation Note_English Old value: New value: <i>The lotN instances must differ by value of the numberingOrg attribute</i>
Child	piece	UPDATED	Fabric piece data	relationship with child: piece weight measure

				Property: Aggregation Note_English Old value: New value: <i>It is the net weight of the piece.</i>
Child	piece	UPDATED	Fabric piece data	relationship with child: electronic product code Property: Aggregation Note_English Old value: New value: <i>the use of this element is DEPRECATED, use the appropriate elements (serialN)</i>
Child	piece	UPDATED	Fabric piece data	relationship with child: serial number Property: Aggregation Note_English Old value: <i>More than one serialN is accepted only if the numbering or ganisations are different (and the piece is the same)</i> New value: <i>multiple values of serialN are allowed for different representations of the serial identifier of the same piece. Instances of serialN must differ at least for one value of numberingOrg and idQualifier.</i>
Element(E)	piecePackText	UPDATED	fabric piece packing text	Property: Length_Max Old value: 40 New value: 250
Attribute	fileName	NEW	file name	Has NEW attribute: numbering organisation code
Element(I)	fileName	NEW	file name	
Attribute	fillingCriterion	NEW	filling criterion	Has NEW attribute: progressive number
Element(I)	fillingCriterion	NEW	filling criterion	
Element(I)	formatCode	NEW	format code	
Element(I)	format	NEW	format	
Child	kitAccessory	NEW	garment kit accessory	Has NEW child of: items list
Child	kitAccessory	NEW	garment kit accessory	Has NEW child of: Accessory packing details
Child	kitAccessory	NEW	garment kit accessory	Has NEW child of: color-size range
Child	kitAccessory	UPDATED	garment kit accessory	relationship with child: product quantity Property: Cardmax

				Old value: 1 New value: 2
Child	kitAccessory	UPD ATED	garment kit accessory	relationship with child: product quantity Property: BestPractice_English Old value: New value: <i>this element can have two instances only if the units of measure are different</i>
Attribute	garPackCode	NEW	garment packing code	Has NEW attribute: code list name
Attribute	garPackCode	NEW	garment packing code	Has NEW attribute: numbering organisation code
Attribute	garPackCode	NEW	garment packing code	Has NEW attribute: code list version
Attribute	garPackCode	NEW	garment packing code	Has NEW attribute: code list reference
Child	garPack	NEW	garment packing	Has NEW child of: garment packing text
Child	garPack	NEW	garment packing	Has NEW child of: garment packing code
Child	garmentVariant	NEW	garment variant	Has NEW child of: variant code
Child	garmentVariant	NEW	garment variant	Has NEW child of: variant type
Element()	garmentVariant	NEW	garment variant	
Element()	garPackCode	NEW	garment packing code	
Element()	garPack	NEW	garment packing	
Element()	garPackText	NEW	garment packing text	
Attribute	note	UPD ATED	general note	Its attribute: numbering organisation code Property: Aggregation Note_English Old value: New value: <i>must be used to specify the organization that created the list of codes used in "noteLabel"</i>

Child	handlingCharacter	NEW	handling Characteristics	Has NEW child of: general note
Child	handlingCharacter	NEW	handling Characteristics	Has NEW child of: garment packing
Child	handlingCharacter	NEW	handling Characteristics	Has NEW child of: yarn presentation details
Child	handlingCharacter	NEW	handling Characteristics	Has NEW child of: stackability Level
Child	handlingCharacter	NEW	handling Characteristics	Has NEW child of: gross weight measure
Child	handlingCharacter	NEW	handling Characteristics	Has NEW child of: net weight measure
Child	handlingCharacter	NEW	handling Characteristics	Has NEW child of: volume measure
Child	handlingCharacter	NEW	handling Characteristics	Has NEW child of: handling type
Child	handlingCharacter	NEW	handling Characteristics	Has NEW child of: Accessory packing details
Child	handlingCharacter	NEW	handling Characteristics	Has NEW child of: sortable Indicator
Child	handlingCharacter	NEW	handling Characteristics	Has NEW child of: Fabric piece packing details
Attribute	handlingType	NEW	handling type	Has NEW attribute: In
Element()	handlingCharacter	NEW	handling Characteristics	
Element()	handlingType	NEW	handling type	
Element()	idQualifier	NEW	id Qualifier	
Element()	isURL	NEW	is URL	
Child	itemIdentification	NEW	item identification	Has NEW child of: serial number

Element()	itemIdentification	NEW	item identification	
Child	itemsList	NEW	items list	Has NEW child of: quality level
Child	itemsList	NEW	items list	Has NEW child of: item identification
Attribute	itemsPerPackage	NEW	items per package	Has NEW attribute: unit of measure code
Element()	itemsList	NEW	items list	
Element()	itemsPerPackage	NEW	items per package	
Element(E)	legalName	UPDATED	Legal name	Property: Length_Max Old value: 80 New value: 250
Element(E)	itemID	UPDATED	line item number	Property: Length_Max Old value: 6 New value: 40
Attribute	lineN	UPDATED	line number	Its attribute: VAT rate Property: Aggregation Note_English Old value: New value: <i>Deprecated, prefer dtScheme when available.</i>
Element()	lineID	NEW	line identifier	
Element()	ln	NEW	ln	
Element()	mimeCode	NEW	mime code	
Element()	mime	NEW	mime	
Attribute	minItemsPerPackage	NEW	minimum items per package	Has NEW attribute: unit of measure code
Element()	minItemsPerPackage	NEW	minimum items per package	
Child	packageIdentification	NEW	package identification	Has NEW child of: package number

Child	packageIdentification	NEW	package identification	Has NEW child of: serial number
Attribute	packageModelCode	NEW	package model code	Has NEW attribute: numbering organisation code
Element(E)	packageNumber	UPDATED	package number	Property: Length_Max Old value: 25 New value: 40
Element(I)	packageIdentification	NEW	package identification	
Element(I)	packageModelCode	NEW	package model code	
Child	packagesList	NEW	packages list	Has NEW child of: package identification
Element(I)	packagesList	NEW	packages list	
Element(I)	progr	NEW	progressive number	
Attribute	qualityLevel	NEW	quality level	Has NEW attribute: numbering organisation code
Attribute	qualityLevel	NEW	quality level	Has NEW attribute: code list reference
Attribute	qualityLevel	NEW	quality level	Has NEW attribute: code list version
Attribute	qualityLevel	NEW	quality level	Has NEW attribute: code list name
Element(I)	qualityLevel	NEW	quality level	
Child	refDoc	NEW	reference document details	Has NEW child of: attachment
Child	refDoc	UPDATED	reference document details	relationship with child: document identifier Property: BestPractice_English Old value: New value: <i>numberingOrg indicates the role that produced the document identifier (it is allowed to declare two different ones -e.g. customer and supplier - with two docID with different numberingOrg</i>
Attribute	season	NEW	season identifier	Has NEW attribute: code list reference
Attribute	season	NEW	season identifier	Has NEW attribute: numbering organisation code

Attr ib	season	NE W	season id entifier	Has NEW attribute: code list name
Attr ib	season	NE W	season id entifier	Has NEW attribute: code list version
Attr ib	serialN	NE W	serial num ber	Has NEW attribute: id Qualifier
Ele m(E)	serialN	UPD ATE D	serial num ber	Property: Length_Max Old value: 15 New value: 250
Chil d	shipInfo	NE W	shipping i nformation	Has NEW child of: actual package unit
Chil d	shipInfo	UPD ATE D	shipping i nformation	relationship with child: Transport packages details Property: Aggregation Note_English Old value: <i>this data group must be iterated for each type of package</i> New value: <i>this element must be iterated for each type of package</i>
Chil d	shipInfo	UPD ATE D	shipping i nformation	relationship with child: Transport information Property: Cardmax Old value: 5 New value: 9
Attr ib	size	NE W	size identif ier	Has NEW attribute: numbering organisation code
Attr ib	size	NE W	size identif ier	Has NEW attribute: code list name
Attr ib	size	NE W	size identif ier	Has NEW attribute: code list version
Chil d	sizeRow	NE W	size row	Has NEW child of: items list
Chil d	sizeRow	NE W	size row	Has NEW child of: component Code
Chil d	sizeRow	UPD ATE D	size row	relationship with child: drop identifier Property: Aggregation Note_English Old value: New value: <i>DEPRECATED, anyhow it is used only if not already speci fied in the article code or csRange</i>
Ele m(l)	sortableIn dicator	NE W	sortable In dicator	
Ele m(l)	stackabilit yLevel	NE W	stackabilit y Level	
Ele m(l)	subDept	NE W	departme nt identifie r	

Child	supplier	NEW	Supplier (*)	Has NEW child of: Party identifier
Child	supplier	NEW	Supplier (*)	Has NEW child of: Additional Party Identifier
Attribute	supplier	NEW	Supplier (*)	Has NEW attribute: sender Party qualifier
Element(E)	incoTermText	UPDATE	terms of trade text	Property: Length_Max Old value: 70 New value: 250
Child	TEXKitDe sRequest	NEW	TEXKitDe sRequest (*)	Has NEW child of: Trade details
Child	TEXKitDe sRequest	NEW	TEXKitDe sRequest (*)	Has NEW child of: shipping information
Child	texCode	UPDATE	Textiles product code	relationship with child: description Property: Aggregation Note_English Old value: New value: <i>Product description</i>
Child	texCode	UPDATE	Textiles product code	relationship with child: description Property: Cardmax Old value: 1 New value: 999
Child	thirdParty	NEW	Third Party (*)	Has NEW child of: Party identifier
Attribute	thirdParty	NEW	Third Party (*)	Has NEW attribute: sender Party qualifier
Child	TKRitem	NEW	TKR item	Has NEW child of: shipping information
Child	TKRitem	NEW	TKR item	Has NEW child of: package number
Child	TKRitem	NEW	TKR item	Has NEW child of: line identifier
Child	TKRitem	NEW	TKR item	Has NEW child of: general note
Child	TKRitem	UPDATE	TKR item	relationship with child: Third Party Property: Cardmax Old value: 1 New value: 3
Child	TKRitem	UPDATE	TKR item	relationship with child: Third Party Property: Aggregation Note_English Old value: <i>here the Subcontractor to which the kit must be consigned</i>

				<i>have to be indicated, when not already specified in the Header</i> New value: <i>here at least the Subcontractor to which the kit must be co nsigned have to be indicated, when not already specified in the Heade r</i>
Child	TRheader	UPDATE	TR header	relationship with child: general note Property: Cardmax Old value: 19 New value: 99
Element(E)	transConditionText	UPDATE	transport condition - text	Property: Length_Max Old value: 100 New value: 250
Child	transInfo	NEW	Transport information	Has NEW child of: despatch place
Child	transInfo	NEW	Transport information	Has NEW child of: despatch date
Child	transInfo	NEW	Transport information	Has NEW child of: effective delivery date
Attribute	transInfo	NEW	Transport information	Has NEW attribute: progressive number
Element(E)	packageText	UPDATE	transport package text	Property: Length_Max Old value: 40 New value: 80
Child	packages	NEW	Transport packages details	Has NEW child of: items per package
Child	packages	NEW	Transport packages details	Has NEW child of: minimum items per package
Child	packages	NEW	Transport packages details	Has NEW child of: description
Child	packages	NEW	Transport packages details	Has NEW child of: handling Characteristics
Child	packages	NEW	Transport packages details	Has NEW child of: package model code
Child	packages	NEW	Transport packages details	Has NEW child of: filling criterion
Child	packages	UPDATE	Transport packages details	relationship with child: epc list Property: Aggregation Note_English Old value: <i>here the RFID tags of the packages can be identified</i>

				New value: <i>this element is DEPRECATED, please use the specific elements</i>
Attr ib	uri	NE W	uri	Has NEW attribute: is URL
Ele m(l)	uri	NE W	uri	
Attr ib	variantCo de	NE W	variant co de	Has NEW attribute: code list version
Attr ib	variantCo de	NE W	variant co de	Has NEW attribute: code list name
Attr ib	variantCo de	NE W	variant co de	Has NEW attribute: numbering organisation code
Attr ib	variantCo de	NE W	variant co de	Has NEW attribute: code list reference
Attr ib	variantTy pe	NE W	variant typ e	Has NEW attribute: code list reference
Attr ib	variantTy pe	NE W	variant typ e	Has NEW attribute: code list version
Attr ib	variantTy pe	NE W	variant typ e	Has NEW attribute: code list name
Attr ib	variantTy pe	NE W	variant typ e	Has NEW attribute: numbering organisation code
Ele m(l)	variantCo de	NE W	variant co de	
Ele m(l)	variantTy pe	NE W	variant typ e	
Ele m(E)	yarnOutW rapText	UPD ATE D	yarn outer packing te xt	Property: Length_Max Old value: 40 New value: 250

Annex D

New or changed tables and codes towards previous version

Changes or added items (changes in CodeListAgencyName excluded; changes in adoption notes and code description included): 138

Test Type	Status	Table code	Table description	Code	Change description
Table	UPDATED	NT100	eBIZ TCFUpstream version		Description_English Old value: <i>eBIZ Moda-ML version</i> New value: <i>eBIZ TCFUpstream version</i>
Code	NEW	NT100		2018-1 (v2018-1)	
Code	NEW	NT100		<i>draft</i> (draft)	
Table	UPDATED	NT16	VAT rate or code		Generalities Old value: <i>VAT rate or code (deprecated, use dtScheme element)</i> New value: <i>VAT rate or code (DEPRECATED, use dtScheme element)</i>
Code	NEW	NT2		<i>AU</i> (Auditor)	
Code	NEW	NT2		<i>CE</i> (Certification authority)	
Code	NEW	NT2		<i>SC</i> (Sub contractor)	
Code	NEW	NT2		<i>SM</i> (Service/ePlatform manager)	
Code	NEW	NT4		<i>SA</i> (Sample)	
Table	UPDATED	NT4	end use		Generalities Old value: <i>specifies the final use of the fabric</i> New value: <i>specifies the final use of the product</i>
Table	NEW	NT51	Filling Criterion for Package homogeneity		
Code	NEW	NT51		<i>COL</i> (Colour)	
Code	NEW	NT51		<i>MOD</i> (Model)	

Code	NEW	NT51		SIZ (Size)	
Code	NEW	NT6		EB (eBIZ)	
Code	UPDATED	NT6		ML (DEPRECATED)	adoption_note Old value: New value: <i>DEPRECATED</i>
Table	NEW	NT60	language, codes from ISO 639-1 (subset)		
Code	NEW	NT60		F (Female)	
Code	NEW	NT60		af (Afrikaans)	
Code	NEW	NT60		ar (Arabic)	
Code	NEW	NT60		be (Belarusian)	
Code	NEW	NT60		bg (Bulgarian)	
Code	NEW	NT60		bn (Bengali)	
Code	NEW	NT60		bo (Tibetan)	
Code	NEW	NT60		bs (Bosnian)	
Code	NEW	NT60		ca (Catalan, Valencian)	
Code	NEW	NT60		cs (Czech)	
Code	NEW	NT60		da (Danish)	
Code	NEW	NT60		de (German)	
Code	NEW	NT60		el (Greek, Modern (1453-))	
Code	NEW	NT60		en (English)	
Code	NEW	NT60		eo (Esperanto)	
Code	NEW	NT60		es (Spanish, Castilian)	
Code	NEW	NT60		et (Estonian)	

Co de	NE W	NT 60		<i>eu</i> (Basque)	
Co de	NE W	NT 60		<i>fa</i> (Persian)	
Co de	NE W	NT 60		<i>fi</i> (Finnish)	
Co de	NE W	NT 60		<i>fr</i> (French)	
Co de	NE W	NT 60		<i>ga</i> (Irish)	
Co de	NE W	NT 60		<i>gd</i> (Gaelic, Scottish Gaelic)	
Co de	NE W	NT 60		<i>gn</i> (Guarani)	
Co de	NE W	NT 60		<i>he</i> (Hebrew)	
Co de	NE W	NT 60		<i>hr</i> (Croatian)	
Co de	NE W	NT 60		<i>ht</i> (Haitian, Haitian Creole)	
Co de	NE W	NT 60		<i>hu</i> (Hungarian)	
Co de	NE W	NT 60		<i>hy</i> (Armenian)	
Co de	NE W	NT 60		<i>ia</i> (Interlingua (International Auxiliary Language Association))	
Co de	NE W	NT 60		<i>id</i> (Indonesian)	
Co de	NE W	NT 60		<i>is</i> (Icelandic)	
Co de	NE W	NT 60		<i>it</i> (Italian)	
Co de	NE W	NT 60		<i>ja</i> (Japanese)	
Co de	NE W	NT 60		<i>ju</i> (Javanese)	
Co de	NE W	NT 60		<i>ka</i> (Georgian)	
Co de	NE W	NT 60		<i>km</i> (Central Khmer)	
Co de	NE W	NT 60		<i>ko</i> (Korean)	

Co de	NE W	NT 60		<i>ku</i> (Kurdish)	
Co de	NE W	NT 60		<i>lb</i> (Luxembourgish, Let zeburgesch)	
Co de	NE W	NT 60		<i>lo</i> (Lao)	
Co de	NE W	NT 60		<i>lt</i> (Lithuanian)	
Co de	NE W	NT 60		<i>lv</i> (Latvian)	
Co de	NE W	NT 60		<i>mg</i> (Malagasy)	
Co de	NE W	NT 60		<i>mk</i> (Macedonian)	
Co de	NE W	NT 60		<i>mn</i> (Mongolian)	
Co de	NE W	NT 60		<i>mt</i> (Maltese)	
Co de	NE W	NT 60		<i>nl</i> (Dutch, Flemish)	
Co de	NE W	NT 60		<i>no</i> (Norwegian)	
Co de	NE W	NT 60		<i>pl</i> (Polish)	
Co de	NE W	NT 60		<i>pt</i> (Portuguese)	
Co de	NE W	NT 60		<i>ro</i> (Romanian, Moldavia n, Moldovan)	
Co de	NE W	NT 60		<i>ru</i> (Russian)	
Co de	NE W	NT 60		<i>se</i> (Northern Sami)	
Co de	NE W	NT 60		<i>sk</i> (Slovak)	
Co de	NE W	NT 60		<i>sl</i> (Slovenian)	
Co de	NE W	NT 60		<i>sm</i> (Samoan)	
Co de	NE W	NT 60		<i>so</i> (Somali)	
Co de	NE W	NT 60		<i>sq</i> (Albanian)	
Co de	NE W	NT 60		<i>sr</i> (Serbian)	

Code	NE W	NT 60		<i>sv</i> (Swedish)	
Code	NE W	NT 60		<i>sw</i> (Swahili)	
Code	NE W	NT 60		<i>ta</i> (Tamil)	
Code	NE W	NT 60		<i>th</i> (Thai)	
Code	NE W	NT 60		<i>tr</i> (Turkish)	
Code	NE W	NT 60		<i>uk</i> (Ukrainian)	
Code	NE W	NT 60		<i>ur</i> (Urdu)	
Code	NE W	NT 60		<i>uz</i> (Uzbek)	
Code	NE W	NT 60		<i>vi</i> (Vietnamese)	
Code	NE W	NT 60		<i>zh</i> (Chinese)	
Code	NE W	NT 7		<i>CMK</i> (square centimetre)	
Code	NE W	NT 7		<i>CMQ</i> (cubic centimetre)	
Code	NE W	NT 7		<i>E37</i> (pixel)	
Code	NE W	NT 7		<i>KWH</i> (kilowatthours)	
Code	NE W	NT 7		<i>MMK</i> (square millimetre)	
Code	NE W	NT 7		<i>MTK</i> (square metre)	
Code	NE W	NT 7		<i>CO2TON</i> (ton of CO2)	
Table	UPD ATE D	NT 7	unit of measure		OtherExternalReferenceURL Old value: New value: #http://docs.oasis-open.org/ubl/os-UBL-2.1/cl/gc/default/UnitOfMeasureCode-2.1.gc#
Table	UPD ATE D	NT 7	unit of measure		Description_English Old value: <i>unity of measure</i> New value: <i>unit of measure</i>
Code	NE W	T1 1		<i>4G</i> (Box, fibreboard)	
Code	NE W	T1 1		<i>4H</i> (Box, plastic)	

Code	NE W	T1 1		<i>5H</i> (Bag, woven plastic)	
Code	NE W	T1 1		<i>5L</i> (Bag, textile)	
Code	UPD ATE D	T1 1		<i>5M</i> (Bag, paper)	Text_English Old value: <i>bag, paper</i> New value: <i>Bag, paper</i>
Code	NE W	T1 1		<i>AJ</i> (Cone)	
Code	NE W	T1 1		<i>BL</i> (Bale, compressed)	
Code	NE W	T1 1		<i>BN</i> (Bale, non-compressed)	
Code	UPD ATE D	T1 1		<i>BX</i> (Box)	Text_English Old value: <i>box</i> New value: <i>Box</i>
Code	NE W	T1 1		<i>CI</i> (Canister)	
Code	NE W	T1 1		<i>CL</i> (Coil)	
Code	NE W	T1 1		<i>CN</i> (Container, not otherwise specified as transport equipment)	
Code	NE W	T1 1		<i>CS</i> (Case)	
Code	NE W	T1 1		<i>CT</i> (Carton)	
Code	NE W	T1 1		<i>EC</i> (Bag, plastic)	
Code	NE W	T1 1		<i>ED</i> (Case, with pallet base)	
Code	NE W	T1 1		<i>EE</i> (Case, with pallet base, wooden)	
Code	NE W	T1 1		<i>EF</i> (Case, with pallet base, cardboard)	
Code	NE W	T1 1		<i>EG</i> (Case, with pallet base, plastic)	
Code	NE W	T1 1		<i>EH</i> (Case, with pallet base, metal)	

Co de	NE W	T1 1		<i>FX</i> (Bag, flexible contain er)	
Co de	NE W	T1 1		<i>HN</i> (Hanger)	
Co de	NE W	T1 1		<i>NF</i> (Unpacked or un-pack aged, single unit)	
Co de	NE W	T1 1		<i>NG</i> (Unpacked or un-pack aged, multiple units)	
Co de	NE W	T1 1		<i>OA</i> (Pallet, CHEP 40 cm x 60 cm)	
Co de	NE W	T1 1		<i>OB</i> (Pallet, CHEP 80 cm x 120 cm)	
Co de	NE W	T1 1		<i>OC</i> (Pallet, CHEP 100 c m x 120 cm)	
Co de	NE W	T1 1		<i>OD</i> (Pallet, AS 4068-199 3)	
Co de	NE W	T1 1		<i>OE</i> (Pallet, ISO T11)	
Co de	NE W	T1 1		<i>RJ</i> (Rack, clothing hang er)	
Co de	NE W	T1 1		<i>RL</i> (Reel)	
Co de	NE W	T1 1		<i>SO</i> (Spool)	
Co de	NE W	T1 1		<i>ZZ</i> (Mutually defined)	
Ta bl e	UPD ATE D	T1 1	transport pack age type		OtherExternalReferenceURL Old value: New value: #http://docs.oasis-open.org/ubl/os-UBL-2.1/cl/gc/default/TransportEquipmentTypeCode-2.1.gc#
Ta bl e	UPD ATE D	T1 1	transport pack age type		Generalities Old value: <i>code specifying the type of package us ed for transport and delivery</i> New value: <i>code specifying the type of package us ed for transport and delivery (subset of UN/ECE 8 053 and UBL TransportEquipmentTypeCode-2.1)</i>
Co de	NE W	T2 1		<i>BOR</i> (blanket order)	
Co de	NE W	T2 1		<i>CEO</i> (Certificate of origin)	

Code	NE W	T2 1		<i>CER</i> (Certificate)	
Code	UPD ATE D	T2 1		<i>CTR</i> (Contract)	Text_English Old value: <i>contract</i> New value: <i>Contract</i>
Code	NE W	T2 1		<i>MCI</i> (Visual merchandising instruction)	
Code	NE W	T2 1		<i>VMI</i> (visual merchandising instructions)	
Code	NE W	T4 4		<i>CO</i> (company identification code)	