



<http://www.moda-ml.org>

IMPLEMENTATION GUIDE
TRANSACTION "TEXTILE DESPATCH REQUEST"

Version: 2013-1

Date of release: 18/11/2011

Document code: G005

XML Schema repository:<http://www.moda-ml.org/moda-ml/repository/schema/v2013-1/default.asp>

Guides repository:<http://www.moda-ml.org/moda-ml/repository/guide/v2013-1/default.asp>

Guide filename: G005-MODA-ML-TextileDespatchRequest.pdf

1. BUSINESS DESCRIPTION

1.1 Scope

The present guide has been issued to assist the companies of the Textile-Clothing sector in the implementation of the standard XML document type "Textile DESPATCH REQUEST", providing all the instruction required for its use in any context of e-commerce between Apparel Producers, Fabric Producers and their Subcontractors.

All the rules required for the construction and validation of the document are embedded into the specific XML-Schema, which is detailed in section "Implementation guide".

1.2 Generalities

The message is issued to plan the delivery of the fabric pieces that are in the "ready for despatch" status (see the document "Textile Order Status").

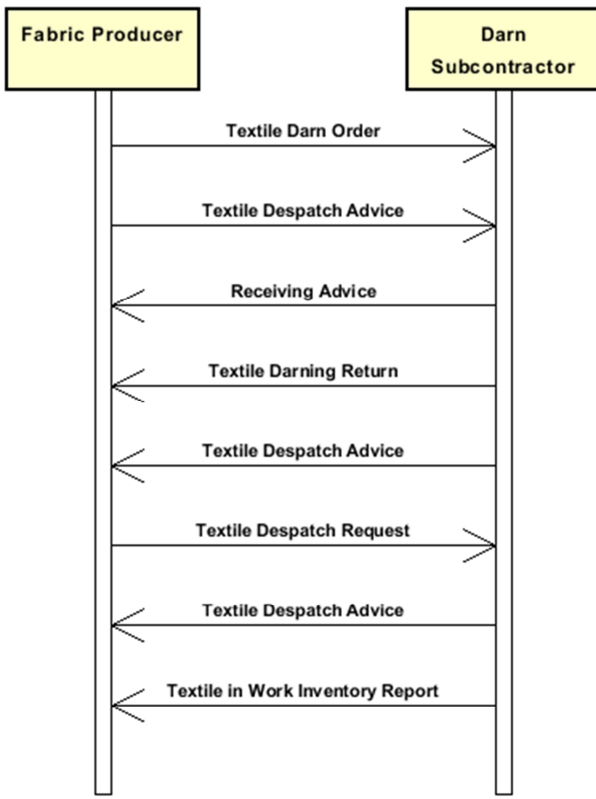
This document enables the Buyer to modify some date of its Order (delivery dates and places)

This document can be used:

- as a standard despatch request
- as a despatch request that, at the same time, cancels a previous request referenced there in

Each document item must correspond with a well defined fabric article (article + pattern + color) and for each item is possible to reference the Order line that is delivered.

1.3. Possible scenario



2. IMPLEMENTATION GUIDE

2.1 General structure of XML document

All the business data that can be exchanged through this class of documents are shown in the following "document structure", that provides a simplified vision of the Schema.

In particular:

- the two numbers following each element define its "cardinality" (minimum and maximum number of occurrences); the minimum equal zero indicates that the element is optional, the minimum greater than zero indicates that is mandatory;
- the bold character denotes the complex elements (aggregates of simple elements) that were built for the sake of functionality and re-usability of some complex informations sets. The child elements in each parent element are easily spotted as "indented";
- the symbol "@" denotes an attribute of the preceding element; here "the usage indicator (optional, required, ...)" is shown in square brackets.

Structure

TEXDesRequest

```
@TRtype [Optional] [Default= STD]
@msgfunction [Optional] [Default= OR]
@version [Optional] [Default= 2013-1]
@useProfile [Optional]
| TRheader 1-1
| | msgN 1-1
| | - choose -
| | | msgID 0-1
| | | - or -
| | | docID 0-1
| | | @numberingOrg [Optional]
| | - end choose -
| | msgDate 1-1
| | @dateForm [Optional]
| | refDoc 0-9
| | @docType [Required]
| | | docID 1-2
| | | @numberingOrg [Optional]
| | | docDate 0-1
| | | @dateForm [Optional]
| | | season 0-1
| | | itemID 0-1
| | buyer 1-1
| | @logo [Optional]
| | @sender [Optional]
| | | id 1-1
| | | @numberingOrg [Optional]
| | | legalName 0-1
| | | dept 0-1
| | | person 0-1
| | | @email [Optional]
| | | @phone [Optional]
| | | @fax [Optional]
| | | street 0-1
| | | city 0-1
| | | subCountry 0-1
| | | country 0-1
| | | postCode 0-1
```

supplier 1-1

@logo [Optional]
@sender [Optional]
id 1-1
@numberingOrg [Optional]
legalName 0-1
dept 0-1
person 0-1
@email [Optional]
@phone [Optional]
@fax [Optional]
street 0-1
city 0-1
subCountry 0-1
country 0-1
postCode 0-1

thirdParty 0-5

@VAT [Optional]
@role [Required]
@sender [Optional]
id 1-1
@numberingOrg [Optional]
legalName 0-1
dept 0-1
person 0-1
@email [Optional]
@phone [Optional]
@fax [Optional]
street 0-1
city 0-1
subCountry 0-1
country 0-1
postCode 0-1

note 0-19
@numberingOrg [Optional]
@codeList [Optional]
@noteLabel [Optional]

shiplInfo 0-1

transInfo 0-5

@transReason [Optional]
transMode 1-1
carrier 0-1
deliveryPlace 0-1
grossWeight 0-1
@um [Required]
netWeight 0-1
@um [Required]
transMeans 0-1
transCondition 0-3
transConditionText 0-1

delEffectiveDate 0-1
@dateForm [Optional]

packages 0-99

@packageLevel [Optional]
- choose -
| packageText 1-1
- or -
| package 1-1
- end choose -

packageDim 0-1

```

| | | length 1-1
| | |   @um [Required]
| | | width 0-1
| | |   @um [Required]
| | | height 0-1
| | |   @um [Required]
| | packageQty 0-1
| | packageN 0-unbounded
| |   @numberingOrg [Optional]
| |   @packageContainerN [Optional]
| | EPClist 0-1
| |   EPC 1-unbounded
| |   @numberingOrg [Optional]
| |   @TID [Optional]

```

piecePack 0-1

```

- choose -
| | piecePackText 1-1
- or -
| | pieceInnWrap1 1-1
| | pieceInnWrap2 0-1
| | pieceOutWrap 0-1
- end choose -

```

TRbody 1-1

```

| | TRitem 1-unbounded
| | @extinction [Optional] [Default= 0]
| | lineN 1-1
| |   @VAT [Optional]
| | refDoc 0-9
| |   @docType [Required]
| |   docID 1-2
| |   @numberingOrg [Optional]
| |   docDate 0-1
| |   @dateForm [Optional]
| |   season 0-1
| |   itemID 0-1
| | texCode 1-2
| |   @numberingOrg [Optional]
| |   art 1-1
| |   @numberingOrg [Optional]
| |   @codeList [Optional]
| |   @listName [Optional]
| |   @listVersion [Optional]
| |   pattern 0-1
| |   @numberingOrg [Optional]
| |   @codeList [Optional]
| |   @listName [Optional]
| |   @listVersion [Optional]
| |   color 0-1
| |   @numberingOrg [Optional]
| |   @codeList [Optional]
| |   @listName [Optional]
| |   @listVersion [Optional]
| |   added 0-9
| |   @numberingOrg [Optional]
| |   @addType [Optional]
| |   description 0-1
| | qty 1-2
| |   @um [Required]
| | serialN 0-99

```

```

| | | @numberingOrg [Optional]
| | | thirdParty 0-1
| | | @VAT [Optional]
| | | @role [Required]
| | | @sender [Optional]
| | | | id 1-1
| | | | @numberingOrg [Optional]
| | | | legalName 0-1
| | | | dept 0-1
| | | | person 0-1
| | | | @email [Optional]
| | | | @phone [Optional]
| | | | @fax [Optional]
| | | | street 0-1
| | | | city 0-1
| | | | subCountry 0-1
| | | | country 0-1
| | | | postCode 0-1
| | | shipInfo 0-1
| | | | transInfo 0-5
| | | | | @transReason [Optional]
| | | | | | transMode 1-1
| | | | | | carrier 0-1
| | | | | | deliveryPlace 0-1
| | | | | | grossWeight 0-1
| | | | | | | @um [Required]
| | | | | | | netWeight 0-1
| | | | | | | | @um [Required]
| | | | | | | transMeans 0-1
| | | | | | | transCondition 0-3
| | | | | | | transConditionText 0-1
| | | | | delEffectiveDate 0-1
| | | | | | @dateForm [Optional]
| | | | | packages 0-99
| | | | | | @packageLevel [Optional]
| | | | | - choose -
| | | | | | packageText 1-1
| | | | | - or -
| | | | | | package 1-1
| | | | | - end choose -
| | | | | | packageDim 0-1
| | | | | | | length 1-1
| | | | | | | | @um [Required]
| | | | | | | | width 0-1
| | | | | | | | | @um [Required]
| | | | | | | | height 0-1
| | | | | | | | | @um [Required]
| | | | | | packageQty 0-1
| | | | | | packageN 0-unbounded
| | | | | | | @numberingOrg [Optional]
| | | | | | | @packageContainerN [Optional]
| | | | | | EPCList 0-1
| | | | | | | EPC 1-unbounded
| | | | | | | | @numberingOrg [Optional]
| | | | | | | | @TID [Optional]
| | | piecePack 0-1
| | | - choose -
| | | | piecePackText 1-1
| | | - or -
| | | | pieceInnWrap1 1-1
| | | | pieceInnWrap2 0-1

```

| | | | pieceOutWrap 0-1
| | | | - end choose -
| | | | note 0-19
| | | | @numberingOrg [Optional]
| | | | @codeList [Optional]
| | | | @noteLabel [Optional]

2.2 Detailed description of document elements

Following tables show all elements (complex and simple) used in this document. Description includes: 1) element's information: xml tag, name, brief description, data type and syntax constraints; 2) information about use of the element in a particular position in the document: xpath and possible associated notes.

2.2.1 Complex elements (Aggregate Business Information Entities)

Complex elements are those elements whose content is composed of other elements (childs).Complex elements are alphabetically ordered.

buyer	details of the Buyer - base type: Nad, (XPath: TEXDesRequest/TRheader/buyer) 1-1
EPCList	list of identifiers used for tracing a physical item with RFID technology (XPath: TEXDesRequest/TRbody/TRitem/shipInfo/packages/EPCList) 0-1 - note: <i>here the RFID tags of the packages can be identified</i> (XPath: TEXDesRequest/shipInfo/packages/EPCList) 0-1 - note: <i>here the RFID tags of the packages can be identified</i>
packageDim	dimensions of a transport package (XPath: TEXDesRequest/TRbody/TRitem/shipInfo/packages/packageDim) 0-1 (XPath: TEXDesRequest/shipInfo/packages/packageDim) 0-1
packages	describes the composition of the transport packaging. Each element corresponds to a type of package: type, quantity, hierarchic level, list of identifiers of the single packages (XPath: TEXDesRequest/TRbody/TRitem/shipInfo/packages) 0-99 - note: <i>this data group must be iterated for each type of package</i> (XPath: TEXDesRequest/shipInfo/packages) 0-99 - note: <i>this data group must be iterated for each type of package</i>
piecePack	type of wrapping or packing of the fabric pieces (XPath: TEXDesRequest/piecePack) 0-1 (XPath: TEXDesRequest/TRbody/TRitem/piecePack) 0-1
refDoc	identification of a document and of an item thereof, to which the message makes reference (XPath: TEXDesRequest/TRbody/TRitem/refDoc) 0-9 - note: <i>here the number of the order line executed can be identified</i> (XPath: TEXDesRequest/TRheader/refDoc) 0-9
shipInfo	miscellaneous informations on transport and transport packages, referred either to the whole document or to the single item (XPath: TEXDesRequest/TRbody/TRitem/shipInfo) 0-1 - note: <i>here the infos valid for the single item must be specified</i> (XPath: TEXDesRequest/shipInfo) 0-1 - note: <i>here must be specified the infos valid for the whole document</i>

supplier	details of the Supplier - base type: Nad, (XPath: TEXDesRequest/TRheader/supplier) 1-1
texCode	full codification of the textile product (XPath: TEXDesRequest/TRbody/TRitem/texCode) 1-2
thirdParty	details of the Third Party, different from Buyer or Supplier - base type: Nad, (XPath: TEXDesRequest/TRbody/TRitem/thirdParty) 0-1 - note: <i>here the Consignee of the item, different from the one in header, must be specified</i> (XPath: TEXDesRequest/TRheader/thirdParty) 0-5 - note: <i>here the Consignee when different from the Client must be specified</i>
transInfo	details of transport: mode, carrier and delivery place (XPath: TEXDesRequest/TRbody/TRitem/shipInfo/transInfo) 0-5 - note: <i>this data group can be iterated for each transport leg</i> (XPath: TEXDesRequest/shipInfo/transInfo) 0-5 - note: <i>this data group can be iterated for each transport leg</i>
TRbody	body of the document TEXTILES DESPATCH REQUEST (XPath: TEXDesRequest/TRbody) 1-1
TRheader	header of the TEXTILES DESPATCH REQUEST (XPath: TEXDesRequest/TRheader) 1-1 - note: <i>the attribute "logo" should be used only in conjunction with Buyer</i>
TRitem	line item of the message TEXTILE DESPATCH REQUEST (XPath: TEXDesRequest/TRbody/TRitem) 1-unbounded

2.2.2 Simple elements (Basic Business Information Entities)

Simple elements are those elements whose content is characterized by a data type plus a domain of possible values. Simple elements are alphabetically ordered.

added	additional code of the product (complementing the formers) - base type: string, max length: 15, (XPath: TEXDesRequest/TRbody/TRitem/texCode/added) 0-9 - note: <i>here an additional codification (see table T44) can be specified</i>
@addType	qualifier of the additional coding of a product - base type: string, cod. table: T44 http://www.moda-ml.net/moda-ml/repository/codelist/v2013-1/gc_T44.xml (XPath: TEXDesRequest/TRbody/TRitem/texCode/added/@addType) [Optional]
art	article number of the product - base type: string, max length: 25, (XPath: TEXDesRequest/TRbody/TRitem/texCode/art) 1-1 - note: <i>can be used either for the base-article (excluding pattern/colour) or for the SKU</i>
carrier	identification of the transport carrier - base type: string, max length: 40, (XPath: TEXDesRequest/TRbody/TRitem/shipInfo/transInfo/carrier) 0-1 (XPath: TEXDesRequest/shipInfo/transInfo/carrier) 0-1
city	name of the city (town, village) - base type: string, max length: 40, (XPath: TEXDesRequest/TRheader/buyer/city) 0-1 (XPath: TEXDesRequest/TRheader/thirdParty/city) 0-1

	(XPath: <code>TEXDesRequest/TRheader/supplier/city</code>) 0-1 (XPath: <code>TEXDesRequest/TRbody/TRitem/thirdParty/city</code>) 0-1
@codeList	it specifies the URL where the list of codes used to make an instance of the element can be found - base type: string, max length: 255, (XPath: <code>TEXDesRequest/TRbody/TRitem/texCode/art/@codeList</code>) [Optional] - nota: <i>this attribute should be ALTERNATIVE to the others</i> (XPath: <code>TEXDesRequest/TRbody/TRitem/texCode/pattern/@codeList</code>) [Optional] - nota: <i>this attribute should be ALTERNATIVE to the others</i> (XPath: <code>TEXDesRequest/TRbody/TRitem/note/@codeList</code>) [Optional] - nota: <i>must be used to provide (URL) the list of codes used in "noteLabel"</i> (XPath: <code>TEXDesRequest/TRheader/note/@codeList</code>) [Optional] - nota: <i>must be used to provide (URL) the list of codes used in "noteLabel"</i> (XPath: <code>TEXDesRequest/TRbody/TRitem/texCode/color/@codeList</code>) [Optional] - nota: <i>this attribute should be ALTERNATIVE to the others</i>
color	colour number of the product, when not included in the model or fabric code - base type: string, max length: 15, (XPath: <code>TEXDesRequest/TRbody/TRitem/texCode/color</code>) 0-1
country	code of the nation - base type: string, cod. table: T10 http://www.moda-ml.net/moda-ml/repository/codelist/v2013-1/gc_T10.xml (XPath: <code>TEXDesRequest/TRheader/buyer/country</code>) 0-1 (XPath: <code>TEXDesRequest/TRbody/TRitem/thirdParty/country</code>) 0-1 (XPath: <code>TEXDesRequest/TRheader/supplier/country</code>) 0-1 (XPath: <code>TEXDesRequest/TRheader/thirdParty/country</code>) 0-1
@dateForm	format used for the date - base type: string, cod. table: NT29 http://www.moda-ml.net/moda-ml/repository/codelist/v2013-1/gc_NT29.xml (XPath: <code>TEXDesRequest/TRheader/refDoc/docDate/@dateForm</code>) [Optional] (XPath: <code>TEXDesRequest/TRbody/TRitem/refDoc/docDate/@dateForm</code>) [Optional] (XPath: <code>TEXDesRequest/TRheader/msgDate/@dateForm</code>) [Optional] (XPath: <code>TEXDesRequest/TRbody/TRitem/shipInfo/delEffectiveDate/@dateForm</code>) [Optional] (XPath: <code>TEXDesRequest/shipInfo/delEffectiveDate/@dateForm</code>) [Optional]
delEffectiveDate	effective date of delivery of goods (declared in Despatch), according to one of the patterns YYYY-MM-DD, YYYY-MM-DD:HH-MM or YYYY-WW. - base type: string, (XPath: <code>TEXDesRequest/shipInfo/delEffectiveDate</code>) 0-1 (XPath: <code>TEXDesRequest/TRbody/TRitem/shipInfo/delEffectiveDate</code>) 0-1
deliveryPlace	place of delivery of goods, ultimate or related to a given leg - base type: string, max length: 40, (XPath: <code>TEXDesRequest/TRbody/TRitem/shipInfo/transInfo/deliveryPlace</code>) 0-1 (XPath: <code>TEXDesRequest/shipInfo/transInfo/deliveryPlace</code>) 0-1
dept	name or code of a contact department within a Party - base type: string, max length: 40, (XPath: <code>TEXDesRequest/TRheader/supplier/dept</code>) 0-1 (XPath: <code>TEXDesRequest/TRbody/TRitem/thirdParty/dept</code>) 0-1 (XPath: <code>TEXDesRequest/TRheader/buyer/dept</code>) 0-1 (XPath: <code>TEXDesRequest/TRheader/thirdParty/dept</code>) 0-1
description	free text description of a product - base type: string, max length: 70, (XPath: <code>TEXDesRequest/TRbody/TRitem/texCode/description</code>) 0-1

docDate	date of issue of the referenced document, according to one of the patterns YYYY-MM-DD, YYYY-MM-DD:HH-MM or YYYY-WW. - base type: string, (XPath: TEXDesRequest/TRheader/refDoc/docDate) 0-1 (XPath: TEXDesRequest/TRbody/TRitem/refDoc/docDate) 0-1
docID	identification number of the referenced document SINCE 2008-1 ITS USE IN THE HEADER IS DISCOURAGED (REPLACED BY msgID) - base type: string, max length: 80, (XPath: TEXDesRequest/TRheader/refDoc/docID) 1-2 (XPath: TEXDesRequest/TRheader/docID) 0-1 (XPath: TEXDesRequest/TRbody/TRitem/refDoc/docID) 1-2
@docType	type or class to which the referenced document belongs - base type: string, cod. table: T21 http://www.moda-ml.net/moda-ml/repository/codelist/v2013-1/gc_T21.xml (XPath: TEXDesRequest/TRheader/refDoc/@docType) [Required] (XPath: TEXDesRequest/TRbody/TRitem/refDoc/@docType) [Required]
@email	electronic mail address of the contact person within a Party - base type: string, max length: 80, (XPath: TEXDesRequest/TRbody/TRitem/thirdParty/person/@email) [Optional] (XPath: TEXDesRequest/TRheader/supplier/person/@email) [Optional] (XPath: TEXDesRequest/TRheader/buyer/person/@email) [Optional] (XPath: TEXDesRequest/TRheader/thirdParty/person/@email) [Optional]
EPC	identifier used for tracing a physical item with RFID technology - base type: string, (XPath: TEXDesRequest/TRbody/TRitem/shipInfo/packages/EPCList/EPC) 1-unbounded (XPath: TEXDesRequest/shipInfo/packages/EPCList/EPC) 1-unbounded
@extinction	specified if the referred position (document/line) in is cleared (exhausted) by this line item. Value: 0 = not exhausted; 1 = exhausted) - base type: boolean, (XPath: TEXDesRequest/TRbody/TRitem/@extinction) [Optional] [Default= 0]
@fax	fax number of the contact person within a Party - base type: string, max length: 35, (XPath: TEXDesRequest/TRheader/supplier/person/@fax) [Optional] (XPath: TEXDesRequest/TRheader/buyer/person/@fax) [Optional] (XPath: TEXDesRequest/TRheader/thirdParty/person/@fax) [Optional] (XPath: TEXDesRequest/TRbody/TRitem/thirdParty/person/@fax) [Optional]
grossWeight	the gross weight of the overall goods supply, declared for transport or customs purpose - base type: decimal, min inclusive: 0, fraction digits: 2, (XPath: TEXDesRequest/TRbody/TRitem/shipInfo/transInfo/grossWeight) 0-1 (XPath: TEXDesRequest/shipInfo/transInfo/grossWeight) 0-1
height	effective height of a specified object - base type: decimal, min inclusive: 0, fraction digits: 2, (XPath: TEXDesRequest/TRbody/TRitem/shipInfo/packages/packageDim/height) 0-1 (XPath: TEXDesRequest/shipInfo/packages/packageDim/height) 0-1
id	primary identification code of a Party; it is recommended the format: nation code (ISO 3166) + VAT identification number (11 crt), with the qualifier "numberingOrg"= MF - base type: string, max length: 15, (XPath: TEXDesRequest/TRheader/buyer/id) 1-1 (XPath: TEXDesRequest/TRheader/supplier/id) 1-1 (XPath: TEXDesRequest/TRheader/thirdParty/id) 1-1 (XPath: TEXDesRequest/TRbody/TRitem/thirdParty/id) 1-1
itemID	number of the line/item of the referenced document - base type: string, max length: 6,

	(XPath: TEXDesRequest/TRbody/TRitem/refDoc/itemID) 0-1 (XPath: TEXDesRequest/TRheader/refDoc/itemID) 0-1
legalName	legal name of a Party - base type: string, max length: 80, (XPath: TEXDesRequest/TRheader/thirdParty/legalName) 0-1 (XPath: TEXDesRequest/TRheader/buyer/legalName) 0-1 (XPath: TEXDesRequest/TRheader/supplier/legalName) 0-1 (XPath: TEXDesRequest/TRbody/TRitem/thirdParty/legalName) 0-1
length	effective length of a specified object - base type: decimal, min inclusive: 0, fraction digits: 2, (XPath: TEXDesRequest/shipInfo/packages/packageDim/length) 1-1 - note: <i>here the maximum dimension must also be specified</i> (XPath: TEXDesRequest/TRbody/TRitem/shipInfo/packages/packageDim/length) 1-1 - note: <i>here the maximum dimension must also be specified</i>
lineN	number of the line item of the present message (xml document) - base type: positiveInteger, min inclusive: 1, max inclusive: 9999, (XPath: TEXDesRequest/TRbody/TRitem/lineN) 1-1
@listName	it specifies the name of the list of codes used to make an instance of the element - base type: string, max length: 40, (XPath: TEXDesRequest/TRbody/TRitem/texCode/pattern/@listName) [Optional] - nota: <i>this attribute should always be used coupled with "numberingOrg"</i> (XPath: TEXDesRequest/TRbody/TRitem/texCode/art/@listName) [Optional] - nota: <i>this attribute should always be used coupled with "numberingOrg"</i> (XPath: TEXDesRequest/TRbody/TRitem/texCode/color/@listName) [Optional] - nota: <i>this attribute should always be used coupled with "numberingOrg"</i>
@listVersion	it specifies the version of the list of codes used to make an instance of the element - base type: string, max length: 6, (XPath: TEXDesRequest/TRbody/TRitem/texCode/color/@listVersion) [Optional] - nota: <i>this attribute should always be used coupled with "numberingOrg" and "listName"</i> (XPath: TEXDesRequest/TRbody/TRitem/texCode/art/@listVersion) [Optional] - nota: <i>this attribute should always be used coupled with "numberingOrg" and "listName"</i> (XPath: TEXDesRequest/TRbody/TRitem/texCode/pattern/@listVersion) [Optional] - nota: <i>this attribute should always be used coupled with "numberingOrg" and "listName"</i>
@logo	company logo (URL of the image jpeg or gif). It is recommended that the width of the image does not exceed 640 pixel. - base type: string, max length: 255, (XPath: TEXDesRequest/TRheader/buyer/@logo) [Optional] (XPath: TEXDesRequest/TRheader/supplier/@logo) [Optional]
msgDate	date of issue of the present message (xml document), according to one of the patterns YYYY-MM-DD, YYYY-MM-DD:HH-MM or YYYY-WW. - base type: string, (XPath: TEXDesRequest/TRheader/msgDate) 1-1
@msgfunction	function performed by the present message with regards to the transmission - base type: string, cod. table: NT18 http://www.moda-ml.net/moda-ml/repository/codelist/v2013-1/gc_NT18.xml (XPath: TEXDesRequest/@msgfunction) [Optional] [Default= OR]

msgID	key identifier of the document in the information system of the issuing Party - base type: string, max length: 35, (XPath: TEXDesRequest/TRheader/msgID) 0-1
msgN	identification number given to the message (xml document) by its issuer - base type: string, max length: 35, (XPath: TEXDesRequest/TRheader/msgN) 1-1
netWeight	the net weight of the overall goods supply, declared for transport or customs purpose - base type: decimal, min inclusive: 0, fraction digits: 2, (XPath: TEXDesRequest/shipInfo/transInfo/netWeight) 0-1 (XPath: TEXDesRequest/TRbody/TRitem/shipInfo/transInfo/netWeight) 0-1
note	free text or structured (computer processing) note. For note structuring use the attributes "noteLabel" and "codelist" - base type: string, max length: 350, (XPath: TEXDesRequest/TRheader/note) 0-19 (XPath: TEXDesRequest/TRbody/TRitem/note) 0-19
@noteLabel	subject qualifier of a note - base type: string, max length: 35, (XPath: TEXDesRequest/TRbody/TRitem/note/@noteLabel) [Optional] - nota: <i>must be used to qualify the subject of the note</i> (XPath: TEXDesRequest/TRheader/note/@noteLabel) [Optional] - nota: <i>must be used to qualify the subject of the note</i>
@numberingOrg	code specifying the organisation who has created or owns the coding or numbering system - base type: string, cod. table: NT6 http://www.moda-ml.net/moda-ml/repository/codelist/v2013-1/gc_NT6.xml (XPath: TEXDesRequest/TRbody/TRitem/note/@numberingOrg) [Optional] (XPath: TEXDesRequest/TRbody/TRitem/refDoc/docID/@numberingOrg) [Optional] - nota: <i>here can be specified whose document numbering is used (e.g.: Client, Supplier, ..)</i> (XPath: TEXDesRequest/TRbody/TRitem/texCode/added/@numberingOrg) [Optional] (XPath: TEXDesRequest/TRbody/TRitem/texCode/color/@numberingOrg) [Optional] - nota: <i>this attribute should be used either single or coupled with "listName" and "listVersion"</i> (XPath: TEXDesRequest/TRbody/TRitem/thirdParty/id/@numberingOrg) [Optional] (XPath: TEXDesRequest/TRbody/TRitem/serialN/@numberingOrg) [Optional] - nota: <i>here the issuer of the serial number must be specified (when different from the Supplier)</i> (XPath: TEXDesRequest/TRbody/TRitem/shipInfo/packages/packageN/@numberingOrg) [Optional] (XPath: TEXDesRequest/TRbody/TRitem/texCode/@numberingOrg) [Optional] (XPath: TEXDesRequest/TRbody/TRitem/shipInfo/packages/EPClist/EPC/@numberingOrg) [Optional] (XPath: TEXDesRequest/TRbody/TRitem/texCode/pattern/@numberingOrg) [Optional] - nota: <i>this attribute should be used either single or coupled with "listName" and "listVersion"</i> (XPath: TEXDesRequest/TRbody/TRitem/texCode/art/@numberingOrg) [Optional] - nota: <i>this attribute should be used either single or coupled with "listName" and "listVersion"</i> (XPath: TEXDesRequest/shipInfo/packages/packageN/@numberingOrg) [Optional] (XPath: TEXDesRequest/shipInfo/packages/EPClist/EPC/@numberingOrg) [Optional] (XPath: TEXDesRequest/TRheader/buyer/id/@numberingOrg) [Optional]

	<p>(XPath: TEXDesRequest/TRheader/supplier/id/@numberingOrg) [Optional] (XPath: TEXDesRequest/TRheader/note/@numberingOrg) [Optional] (XPath: TEXDesRequest/TRheader/refDoc/docID/@numberingOrg) [Optional] - nota: <i>here can be specified whose document numbering is used (e.g.: Client, Supplier, ..)</i> (XPath: TEXDesRequest/TRheader/thirdParty/id/@numberingOrg) [Optional] (XPath: TEXDesRequest/TRheader/docID/@numberingOrg) [Optional] - nota: <i>here can be specified whose document numbering is used (e.g.: Client, Supplier, ..)</i></p>
package	<p>code specifying the type of package used for transport and delivery - base type: string, cod. table: T11 http://www.moda-ml.net/moda-ml/repository/codelist/v2013-1/gc_T11.xml (XPath: TEXDesRequest/shipInfo/packages/package) 1-1 (XPath: TEXDesRequest/TRbody/TRitem/shipInfo/packages/package) 1-1</p>
@packageContainerN	<p>reference usable to indicate the outer package containing this package - base type: string, max length: 25, (XPath: TEXDesRequest/TRbody/TRitem/shipInfo/packages/packageN/@packageContainerN) [Optional] (XPath: TEXDesRequest/shipInfo/packages/packageN/@packageContainerN) [Optional]</p>
@packageLevel	<p>level used to indicate the hierarchical structure of the packages (from outer to inner levels) - base type: positiveInteger, min inclusive: 1, max inclusive: 9, (XPath: TEXDesRequest/TRbody/TRitem/shipInfo/packages/@packageLevel) [Optional] - nota: <i>number fixing the level of the package in the transport structure (from inner to outer). Must either be used for all package types or not be used</i> (XPath: TEXDesRequest/shipInfo/packages/@packageLevel) [Optional] - nota: <i>number fixing the level of the package in the transport structure (from inner to outer). Must either be used for all package types or not be used</i></p>
packageN	<p>serial number used to identify a transport package - base type: string, max length: 25, (XPath: TEXDesRequest/shipInfo/packages/packageN) 0-unbounded - note: <i>here the serial no.s of the packages can be identified</i> (XPath: TEXDesRequest/TRbody/TRitem/shipInfo/packages/packageN) 0-unbounded - note: <i>here the serial no.s of the packages can be identified</i></p>
packageQty	<p>quantity of the specified transport packages - base type: positiveInteger, (XPath: TEXDesRequest/shipInfo/packages/packageQty) 0-1 - note: <i>total for the type of package</i> (XPath: TEXDesRequest/TRbody/TRitem/shipInfo/packages/packageQty) 0-1 - note: <i>total for the type of package</i></p>
packageText	<p>free text specifying the type of package used for transport and delivery - base type: string, max length: 40, (XPath: TEXDesRequest/TRbody/TRitem/shipInfo/packages/packageText) 1-1 (XPath: TEXDesRequest/shipInfo/packages/packageText) 1-1</p>
pattern	<p>pattern/design number of the product, when not included in the article code - base type: string, max length: 15, (XPath: TEXDesRequest/TRbody/TRitem/texCode/pattern) 0-1</p>
person	<p>name of the contact person within a Party - base type: string, max length: 40, (XPath: TEXDesRequest/TRheader/thirdParty/person) 0-1 (XPath: TEXDesRequest/TRbody/TRitem/thirdParty/person) 0-1 (XPath: TEXDesRequest/TRheader/supplier/person) 0-1</p>

	(XPath: TEXDesRequest/TRheader/buyer/person) 0-1
@phone	phone number of the contact person within a Party - base type: string, max length: 35, (XPath: TEXDesRequest/TRheader/supplier/person/@phone) [Optional] (XPath: TEXDesRequest/TRheader/buyer/person/@phone) [Optional] (XPath: TEXDesRequest/TRbody/TRitem/thirdParty/person/@phone) [Optional] (XPath: TEXDesRequest/TRheader/thirdParty/person/@phone) [Optional]
pieceInnWrap1	code specifying the type of inner wrapping/packing used for the fabric piece - base type: string, cod. table: T4 http://www.moda-ml.net/moda-ml/repository/codelist/v2013-1/gc_T4.xml (XPath: TEXDesRequest/TRbody/TRitem/piecePack/pieceInnWrap1) 1-1 (XPath: TEXDesRequest/piecePack/pieceInnWrap1) 1-1
pieceInnWrap2	code sub-specifying the type of inner wrapping/packing used for the fabric piece - base type: string, cod. table: T5 http://www.moda-ml.net/moda-ml/repository/codelist/v2013-1/gc_T5.xml (XPath: TEXDesRequest/piecePack/pieceInnWrap2) 0-1 (XPath: TEXDesRequest/TRbody/TRitem/piecePack/pieceInnWrap2) 0-1
pieceOutWrap	code specifying the type of outer wrapping or packing used for the fabric piece - base type: string, cod. table: T6 http://www.moda-ml.net/moda-ml/repository/codelist/v2013-1/gc_T6.xml (XPath: TEXDesRequest/TRbody/TRitem/piecePack/pieceOutWrap) 0-1 (XPath: TEXDesRequest/piecePack/pieceOutWrap) 0-1
piecePackText	free text specifying the type of wrapping or packing used for the fabric piece - base type: string, max length: 40, (XPath: TEXDesRequest/piecePack/piecePackText) 1-1 (XPath: TEXDesRequest/TRbody/TRitem/piecePack/piecePackText) 1-1
postCode	code defining the postal zone - base type: string, max length: 10, (XPath: TEXDesRequest/TRheader/buyer/postCode) 0-1 (XPath: TEXDesRequest/TRbody/TRitem/thirdParty/postCode) 0-1 (XPath: TEXDesRequest/TRheader/supplier/postCode) 0-1 (XPath: TEXDesRequest/TRheader/thirdParty/postCode) 0-1
qty	net quantity of the article or object correlated, qualified by the function of the document (ordering, delivering, ..) and by the context - base type: decimal, min inclusive: 0, fraction digits: 2, (XPath: TEXDesRequest/TRbody/TRitem/qty) 1-2
@role	Third Party role qualifier - base type: string, cod. table: NT2 http://www.moda-ml.net/moda-ml/repository/codelist/v2013-1/gc_NT2.xml (XPath: TEXDesRequest/TRheader/thirdParty/@role) [Required] (XPath: TEXDesRequest/TRbody/TRitem/thirdParty/@role) [Required]
season	sale season; defined as: season (1 crt) + year (4 crt) - season: S/S=1 A/W=2 Spring=3 Summer=4 Autumn=5 Winter=6: for more than four seasons use alphabetic sequence: 1st season=A 2nd season=B etc.etc. - base type: string, max length: 15, (XPath: TEXDesRequest/TRheader/refDoc/season) 0-1 - note: <i>here indicates the season to which the referenced document belongs</i> (XPath: TEXDesRequest/TRbody/TRitem/refDoc/season) 0-1 - note: <i>here indicates the season to which the referenced document belongs</i>
@sender	qualifier that specifies the Party issuing of the document - base type: boolean,

	<p>(XPath: TEXDesRequest/TRheader/buyer/@sender) [Optional] - nota: <i>This attribute is mandatory when the STYLESHEET must be produced</i></p> <p>(XPath: TEXDesRequest/TRheader/supplier/@sender) [Optional] - nota: <i>This attribute is mandatory when the STYLESHEET must be produced</i></p> <p>(XPath: TEXDesRequest/TRheader/thirdParty/@sender) [Optional] - nota: <i>This attribute is mandatory when the STYLESHEET must be produced</i></p> <p>(XPath: TEXDesRequest/TRbody/TRitem/thirdParty/@sender) [Optional] - nota: <i>This attribute is mandatory when the STYLESHEET must be produced</i></p>
serialN	<p>serial number used for the identification of a physical unit - base type: string, max length: 15, (XPath: TEXDesRequest/TRbody/TRitem/serialN) 0-99 - note: <i>here the fabric pieces requested can be identified</i></p>
street	<p>street and building number identifying a location - base type: string, max length: 80, (XPath: TEXDesRequest/TRheader/buyer/street) 0-1 (XPath: TEXDesRequest/TRheader/supplier/street) 0-1 (XPath: TEXDesRequest/TRbody/TRitem/thirdParty/street) 0-1 (XPath: TEXDesRequest/TRheader/thirdParty/street) 0-1</p>
subCountry	<p>short name or code of the sub-country entity - base type: string, max length: 9, (XPath: TEXDesRequest/TRheader/buyer/subCountry) 0-1 (XPath: TEXDesRequest/TRheader/supplier/subCountry) 0-1 (XPath: TEXDesRequest/TRbody/TRitem/thirdParty/subCountry) 0-1 (XPath: TEXDesRequest/TRheader/thirdParty/subCountry) 0-1</p>
@TID	<p>serial number wired into the RFID chip - base type: string, (XPath: TEXDesRequest/shipInfo/packages/EPClist/EPC/@TID) [Optional] (XPath: TEXDesRequest/TRbody/TRitem/shipInfo/packages/EPClist/EPC/@TID) [Optional]</p>
transCondition	<p>special condition of transport or special service requested to the Forwarder - base type: string, cod. table: T38 http://www.moda-ml.net/moda-ml/repository/codelist/v2013-1/gc_T38.xml (XPath: TEXDesRequest/shipInfo/transInfo/transCondition) 0-3 (XPath: TEXDesRequest/TRbody/TRitem/shipInfo/transInfo/transCondition) 0-3</p>
transConditionText	<p>free text description of the special condition of transport or special service requested to the Forwarder - base type: string, max length: 100, (XPath: TEXDesRequest/TRbody/TRitem/shipInfo/transInfo/transConditionText) 0-1 (XPath: TEXDesRequest/shipInfo/transInfo/transConditionText) 0-1</p>
transMeans	<p>means of transport, in general or referred to a specific leg - base type: string, cod. table: T40 http://www.moda-ml.net/moda-ml/repository/codelist/v2013-1/gc_T40.xml (XPath: TEXDesRequest/shipInfo/transInfo/transMeans) 0-1 (XPath: TEXDesRequest/TRbody/TRitem/shipInfo/transInfo/transMeans) 0-1</p>
transMode	<p>way of transport, in general or referred to the specified leg - base type: string, cod. table: T8 http://www.moda-ml.net/moda-ml/repository/codelist/v2013-1/gc_T8.xml (XPath: TEXDesRequest/TRbody/TRitem/shipInfo/transInfo/transMode) 1-1 (XPath: TEXDesRequest/shipInfo/transInfo/transMode) 1-1</p>
@transReason	<p>reason for the transport - base type: string, cod. table: NT11 http://www.moda-ml.net/moda-ml/repository/codelist/v2013-1/gc_NT11.xml</p>

	(XPath: <code>TEXDesRequest/TRbody/TRitem/shipInfo/transInfo/@transReason</code>) [Optional] (XPath: <code>TEXDesRequest/shipInfo/transInfo/@transReason</code>) [Optional]
@TRtype	type of Despatch request - base type: string, cod. table: NT9 http://www.moda-ml.net/moda-ml/repository/codelist/v2013-1/gc_NT9.xml (XPath: <code>TEXDesRequest/@TRtype</code>) [Optional] [Default= STD]
@um	specification of the unit of measure - base type: string, cod. table: NT7 http://www.moda-ml.net/moda-ml/repository/codelist/v2013-1/gc_NT7.xml (XPath: <code>TEXDesRequest/shipInfo/transInfo/netWeight/@um</code>) [Required] (XPath: <code>TEXDesRequest/shipInfo/packages/packageDim/height/@um</code>) [Required] (XPath: <code>TEXDesRequest/shipInfo/packages/packageDim/width/@um</code>) [Required] (XPath: <code>TEXDesRequest/shipInfo/packages/packageDim/length/@um</code>) [Required] (XPath: <code>TEXDesRequest/TRbody/TRitem/shipInfo/transInfo/netWeight/@um</code>) [Required] (XPath: <code>TEXDesRequest/TRbody/TRitem/shipInfo/packages/packageDim/length/@um</code>) [Required] (XPath: <code>TEXDesRequest/TRbody/TRitem/shipInfo/transInfo/grossWeight/@um</code>) [Required] (XPath: <code>TEXDesRequest/TRbody/TRitem/shipInfo/packages/packageDim/width/@um</code>) [Required] (XPath: <code>TEXDesRequest/shipInfo/transInfo/grossWeight/@um</code>) [Required] (XPath: <code>TEXDesRequest/TRbody/TRitem/qty/@um</code>) [Required] (XPath: <code>TEXDesRequest/TRbody/TRitem/shipInfo/packages/packageDim/height/@um</code>) [Required]
@useProfile	use profile to which the present document is compliant if it was agreed by the parties. It is suggested a URI with reference to the firms or the URL of the profile. - base type: string, (XPath: <code>TEXDesRequest/@useProfile</code>) [Optional]
@VAT	VAT rate or code (deprecated, use dtScheme element) - base type: string, cod. table: NT16 http://www.moda-ml.net/moda-ml/repository/codelist/v2013-1/gc_NT16.xml (XPath: <code>TEXDesRequest/TRbody/TRitem/lineN/@VAT</code>) [Optional] (XPath: <code>TEXDesRequest/TRbody/TRitem/thirdParty/@VAT</code>) [Optional] (XPath: <code>TEXDesRequest/TRheader/thirdParty/@VAT</code>) [Optional]
@version	Dictionary version from which the instance has been created - base type: string, cod. table: NT100 http://www.moda-ml.net/moda-ml/repository/codelist/v2013-1/gc_NT100.xml (XPath: <code>TEXDesRequest/@version</code>) [Optional] [Default= 2013-1]
width	effective width of a specified object - base type: decimal, min inclusive: 0, fraction digits: 2, (XPath: <code>TEXDesRequest/TRbody/TRitem/shipInfo/packages/packageDim/width</code>) 0-1 (XPath: <code>TEXDesRequest/shipInfo/packages/packageDim/width</code>) 0-1

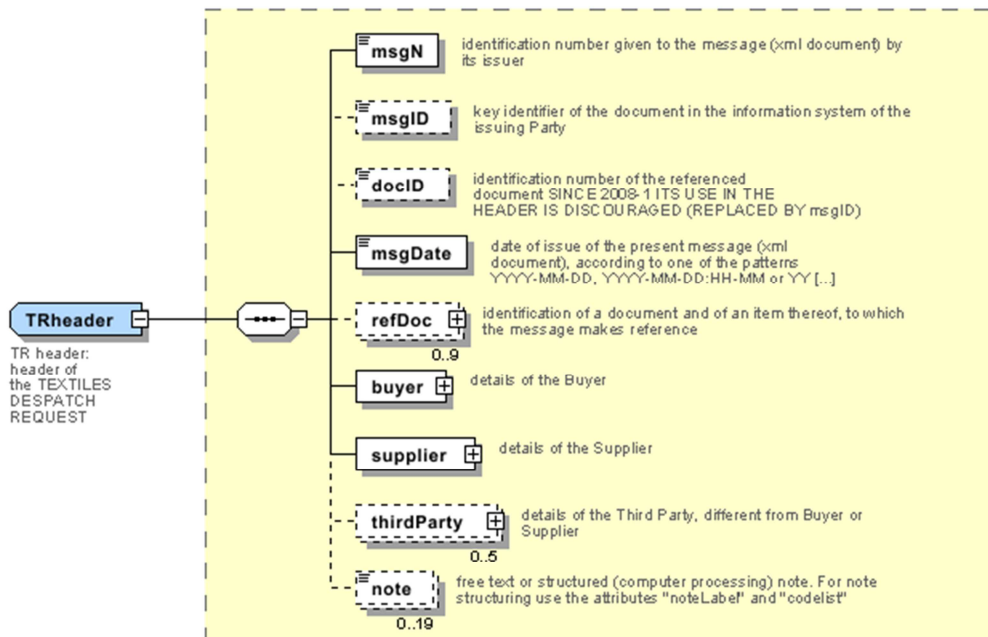
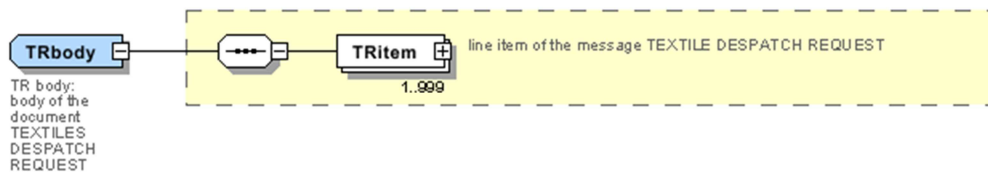
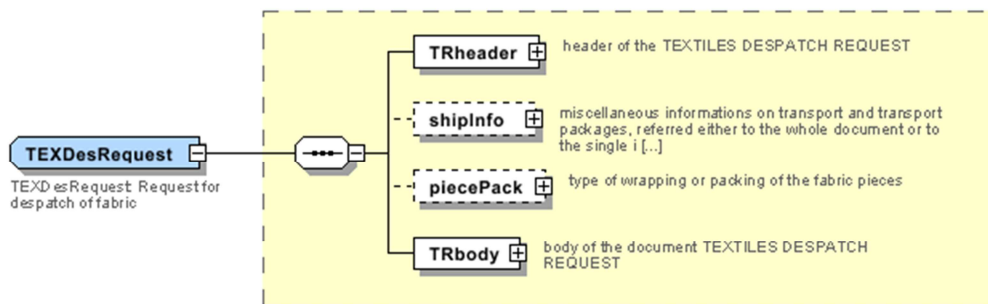
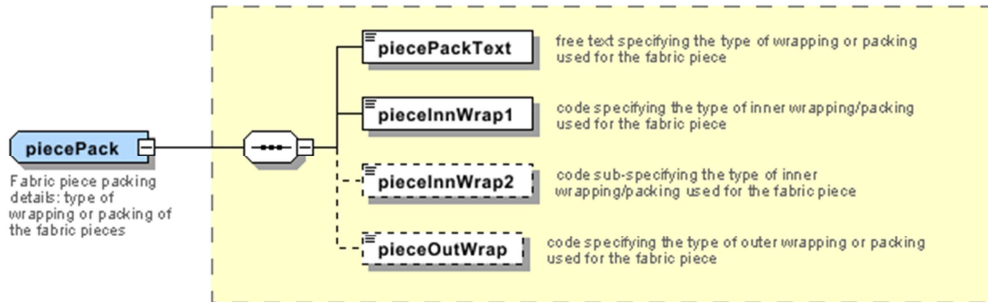
2.3 Enumeration tables

List of enumeration tables used in the XML document. You can find the corresponding codes at: <http://www.moda-ml.org/moda-ml/imple/moda-ml-2013-1.asp?lingua=en&pag=6>

NT100 - eBIZ Moda-ML version
NT11 - transport causal
NT16 - VAT rate or code
NT18 - message function
NT2 - third party qualifier
NT29 - format of a date
NT6 - coding system owner/issuer
NT7 - unity of measure
NT9 - Despatch Request type
T10 - ISO3166 - Country
T11 - transport package type
T21 - type of document
T38 - transport conditions
T4 - fabric piece inner packing (wrapping) 1
T40 - type of transport means
T44 - additional code type
T5 - fabric piece inner packing (wrapping) 2
T6 - fabric piece outer packing
T8 - Modes of Transport

Annex A

Representative images of the principal complex elements' structure.



TRitem
 TR item:
 line item of
 the message
 TEXTILE
 DESPATCH
 REQUEST

